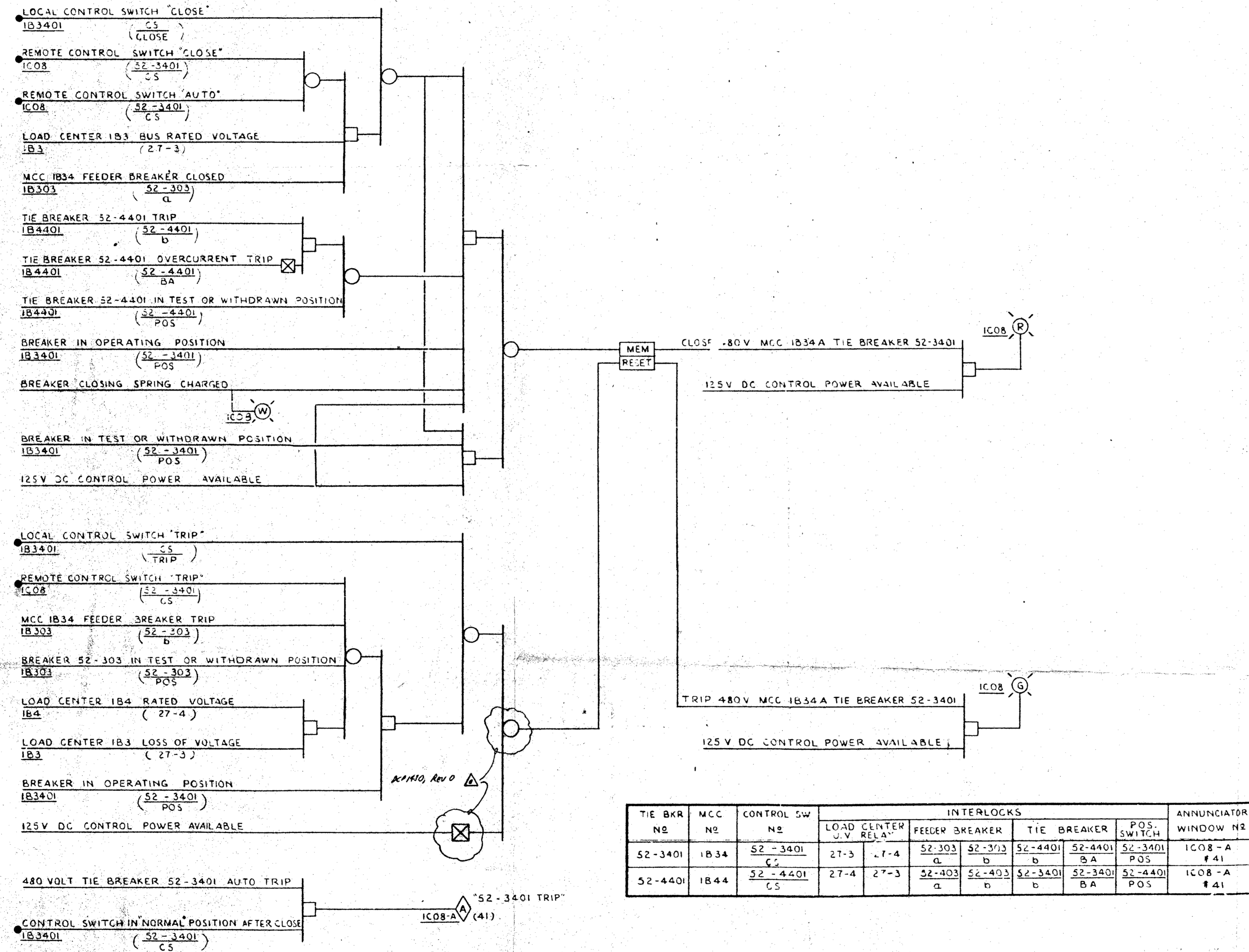


480VOLT MCC 1B34A TIE BREAKER 52-3401 CONTROL
(TYPICAL FOR MCC 1B44A TIE BREAKER 52-4401 CONTROL)

This drawing and the design it covers are the property of BECHTEL. They are hereby loaned and on the borrower's express agreement that they will not be reproduced, copied, loaned, leased, exhibited, or used except in the limited way and private use permitted by any written consent given by the lender to the borrower.



TIE BKR NO	MCC NO	CONTROL SW NO	INTERLOCKS						ANNUNCIATOR WINDOW NO	
			LOAD CENTER U.V. RELAY		FEEDER BREAKER		TIE BREAKER			
52-3401	1B34	52-3401 CS	27-3	27-4	52-303 a	52-303 b	52-4401 b	52-4401 BA	52-3401 POS	IC08-A #41
52-4401	1B44	52-4401 CS	27-4	27-3	52-303 a	52-303 b	52-3401 c	52-3401 BA	52-4401 POS	IC08-A #41

FOR DCP 143D
USE ONLY

REV	PREPARED BY	VERIFIED BY
0	W. B. Knott	W. B. Knott
1		

DCP 143D, REV 0

STARTUP COPY
DCP PACKAGE INDEX ITEM NO. 6.5.5

REF. ONLY
ISSUED FOR CONSTRUCTION
BECHTEL SAN FRANCISCO
DUANE ARNOLD ENERGY CENTER - UNIT NO 1 IOWA ELECTRIC LIGHT AND POWER CO. CEDAR RAPIDS IOWA
FUNCTIONAL DESCRIPTION 480V SYSTEM
JOB No. 7884
DRAWING No. E-6-F.D. SH. 3 OF 5
REV. 0

SI APERTURE CARD

Project # 7884-0216
Control # 143D
Date 10/20/74
REGULATORY DOCKET FILE

881020314

D-24X

6.5.5

42