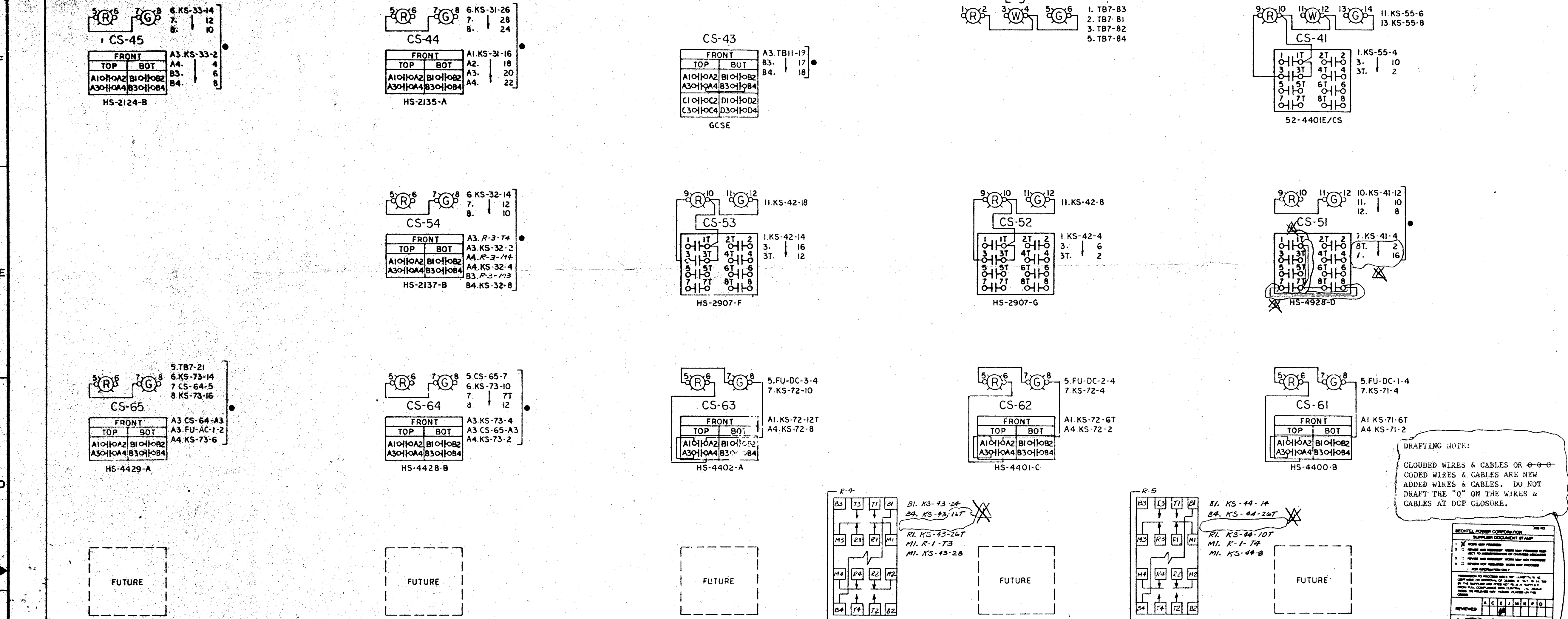
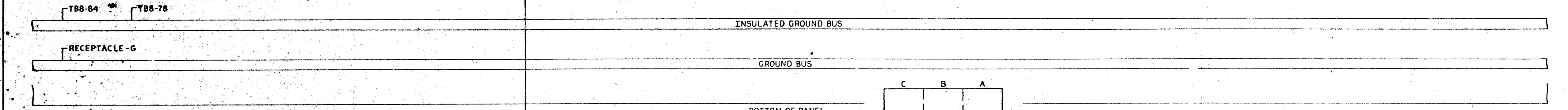
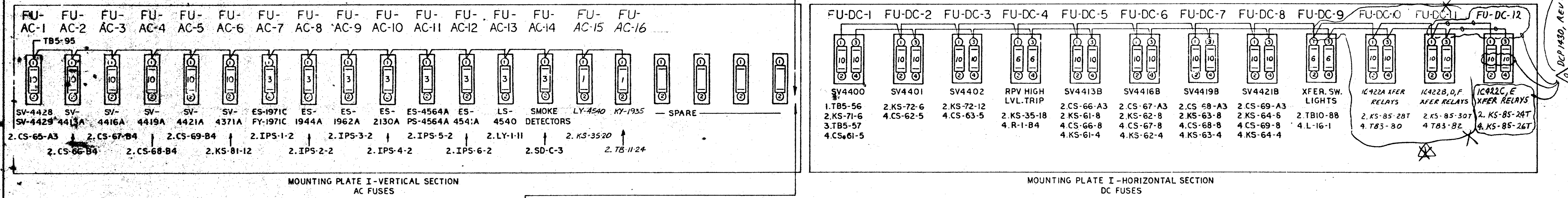


MATCH LINE SEE DWG. 7884-E/43-27

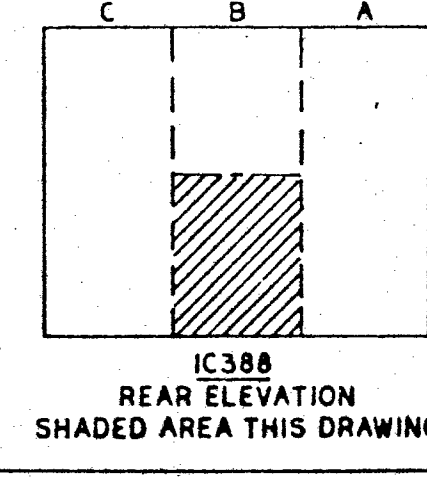
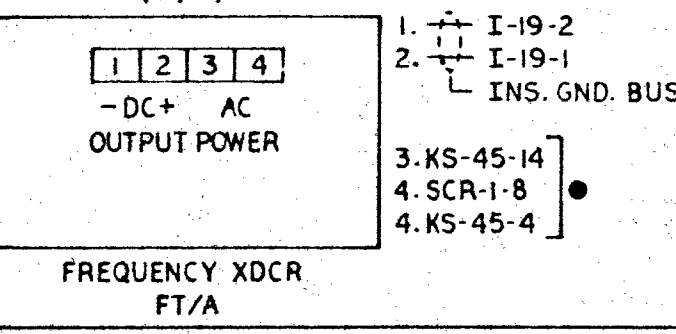


DRAFTING NOTE: CLOUDED WIRES & CABLES OR Coded WIRES & CABLES ARE NEW ADDED WIRES & CABLES. DO NOT DRAFT THE 'O' ON THE WIRES & CABLES AT DCF CLOSURE.

REVIEWED table with columns for name, title, date, and initials. Includes a signature 'JF AG 7/50'.



- WIRING NOTES: 1. UNSHIELDED WIRE - ANACONDA ERICSSON FLAMEGUARD, TYPE NSINS, NO. 14 AWG UNLESS NOTED OTHERWISE. 2. SHIELDED WIRE - ANACONDA ERICSSON FLAMEGUARD, NO. 16 AWG, Z/C, SHIELDED PAIR, ERCP-5600-16-25. 3. USE ANP UNINSULATED RING TONGUE TERMINALS, SIZE AS REQ'D. 4. AC WIRING (MARKED 'A'), CT WIRING (MARKED 'A1') AND DC WIRING (NOT MARKED) SHALL BE BUNDLED SEPARATELY AND KEPT AT LEAST 4" APART IF POSSIBLE. 5. CT WIRING SHALL BE LABELED 'CT' THROUGHOUT IT'S PATH WITHIN THE PANEL.



Project information table with columns for customer (IOWA ELECTRIC), project name (DUANE ARNOLD ENERGY CENTER), sheet number (E8-5229-18), and date (1-9-82).

FOR DCP 1930 USE ONLY table with columns for REV, PREPARED BY, VERIFIED BY, and dates.

Handwritten number: 8810120288

DCP PACKAGE INDEX ITEM NO. 6.3.10

CONSTRUCTION ADD ie: Iowa Electric Light & Power Co. DAE

CONNECTION DIAGRAM - REMOTE SHUTDOWN PANEL PANEL IC388 table with columns for wire number, description, and status.

SI APERTURE CARD

FOR INFORMATION ONLY