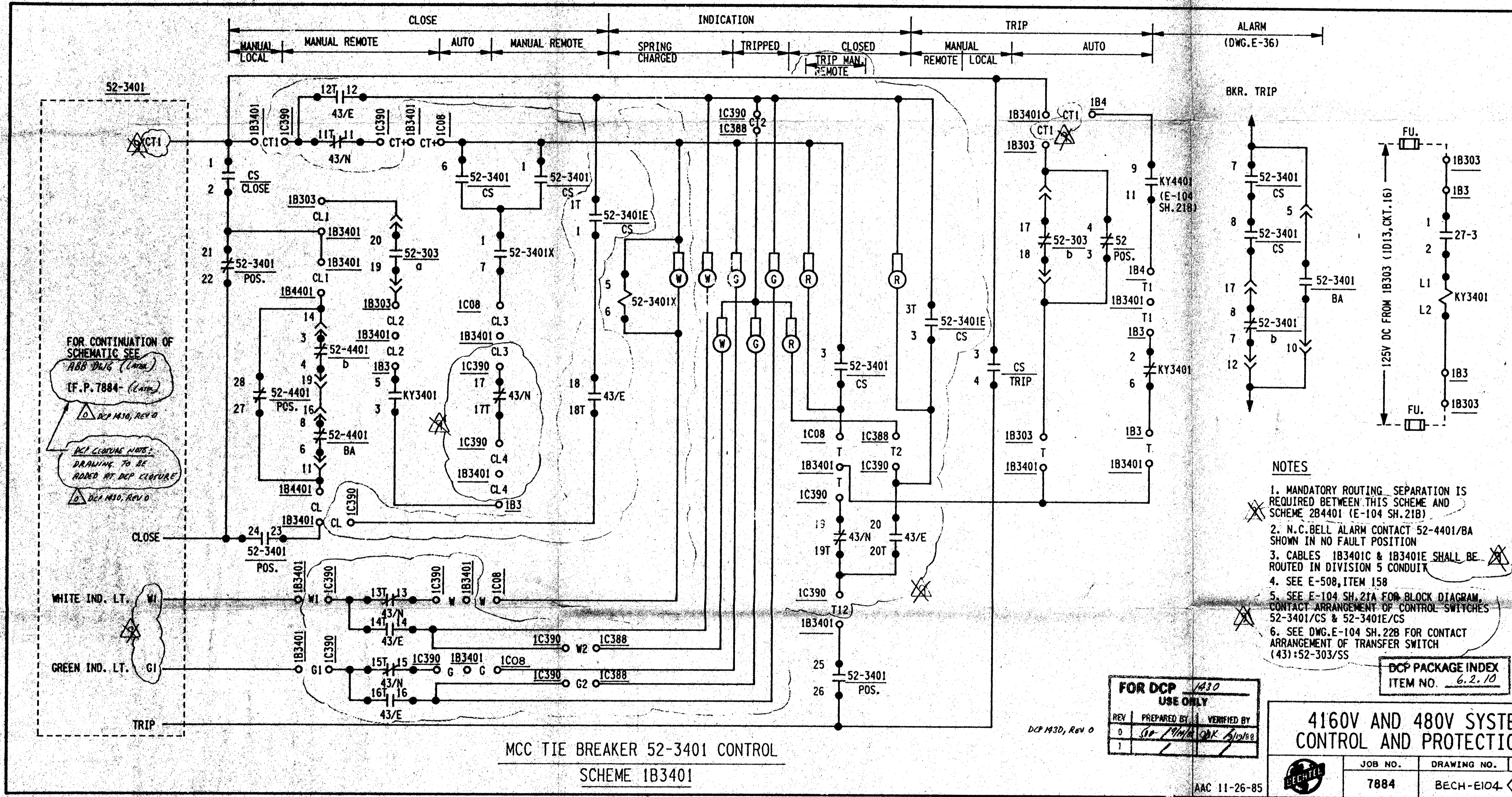


This drawing and the design it covers are the property of BECHTEL. They are hereby loaned and on the borrower's express agreement that they will not be reproduced, copied, loaned, exhibited, or used except in the limited way and private use permitted by any written consent given by the lender to the borrower.



FOR CONTINUATION OF SCHEMATIC SEE
ABB DRAWING (LOCAL)
EF.P. 7884- (LOCAL)
REF. M16, REV. 0
DCP CLIPPING NOTE:
DRAWING TO BE
RODED AT DEP. CLATURE
REF. M16, REV. 0

- NOTES
- MANDATORY ROUTING SEPARATION IS REQUIRED BETWEEN THIS SCHEME AND SCHEME 2B4401 (E-104 SH. 21B)
 - N.C. BELL ALARM CONTACT 52-4401/BA SHOWN IN NO FAULT POSITION
 - CABLES IB3401C & IB3401E SHALL BE ROUTED IN DIVISION 5 CONDUIT
 - SEE E-508, ITEM 158
 - SEE E-104 SH. 21A FOR BLOCK DIAGRAM, CONTACT ARRANGEMENT OF CONTROL SWITCHES 52-3401/CS & 52-3401E/CS
 - SEE DWG. E-104 SH. 22B FOR CONTACT ARRANGEMENT OF TRANSFER SWITCH (43):52-303/SS

FOR DCP 1430 USE ONLY

REV	PREPARED BY	VERIFIED BY
0	SP. [Signature]	[Signature]
1		

DCP PACKAGE INDEX
ITEM NO. 6.2.10

4160V AND 480V SYSTEM CONTROL AND PROTECTION

JOB NO.	DRAWING NO.	SH.	REV.
7884	BECH-E104 (21)	9	

DATE	12-9-85
BY	[Signature]
CHECKED	[Signature]
APPROVED	[Signature]
REVISION	
NO.	
DATE	

FOR INFORMATION
OF REVISIONS

AAC 11-26-85

SI APERTURE CARD

881012024

REV. 5/22
DATE 12/21/85
BY [Signature]
CHECKED [Signature]
APPROVED [Signature]
REGULATORY DOCUMENT FILED

17"
6.2.10