

- NOTES:
1. All loads are typical of one or more.
 2. Load centers and motor control centers are typical of one or more.

Figure 9-2 Main AC Power System (Sheet 1)

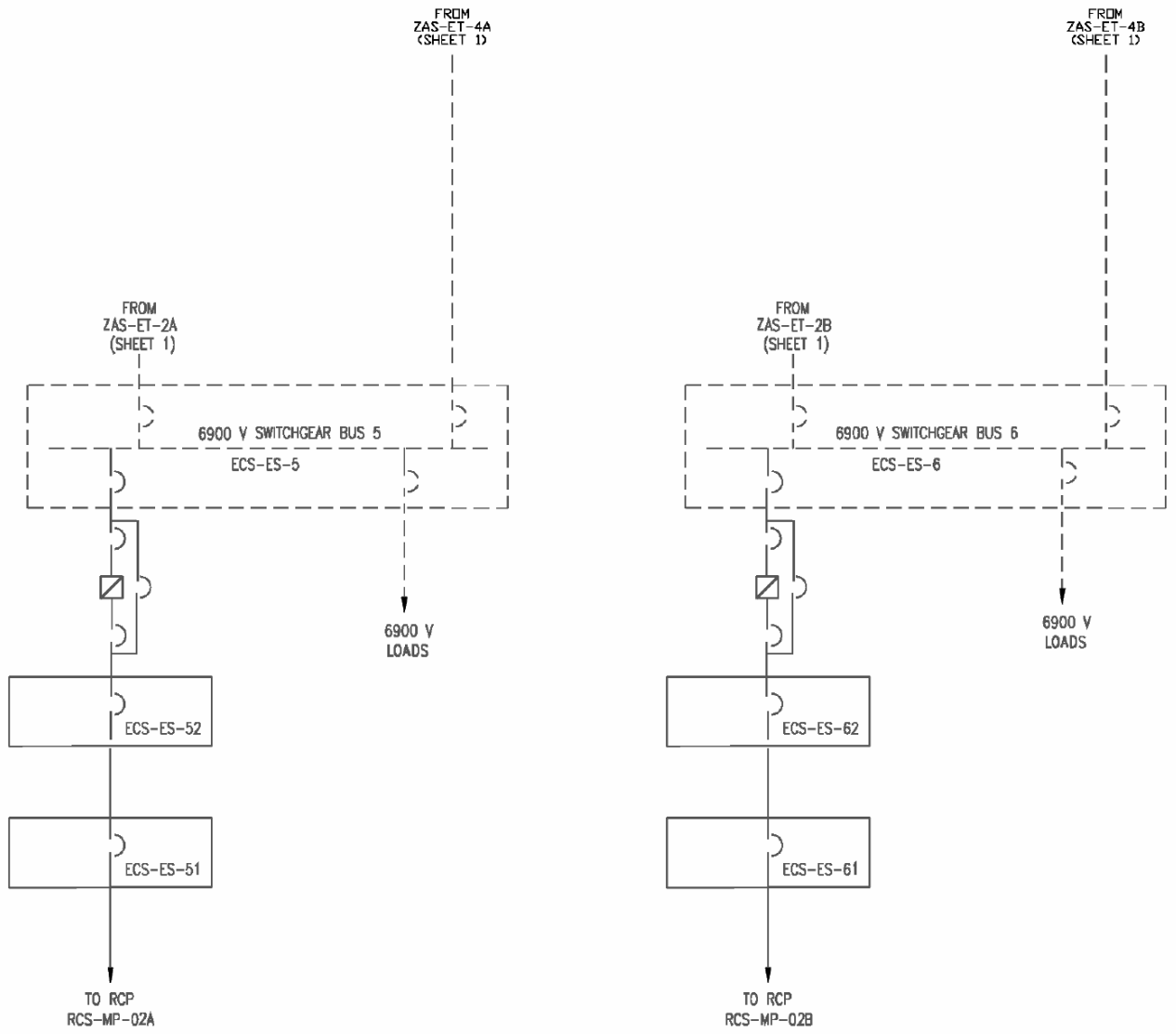


Figure 9-2 Main AC Power System (Sheet 2)

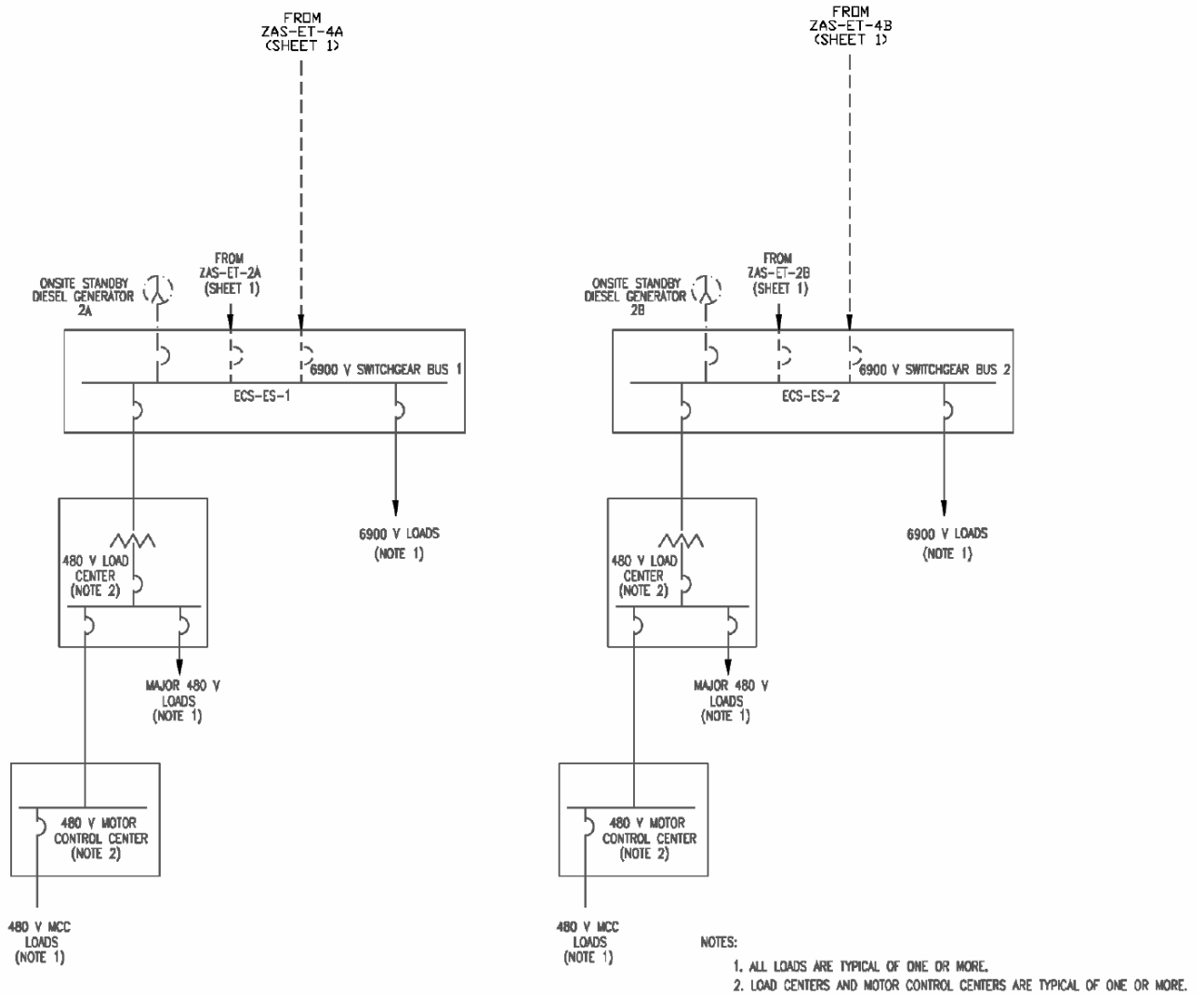


Figure 9-2 Main AC Power System (Sheet 3)

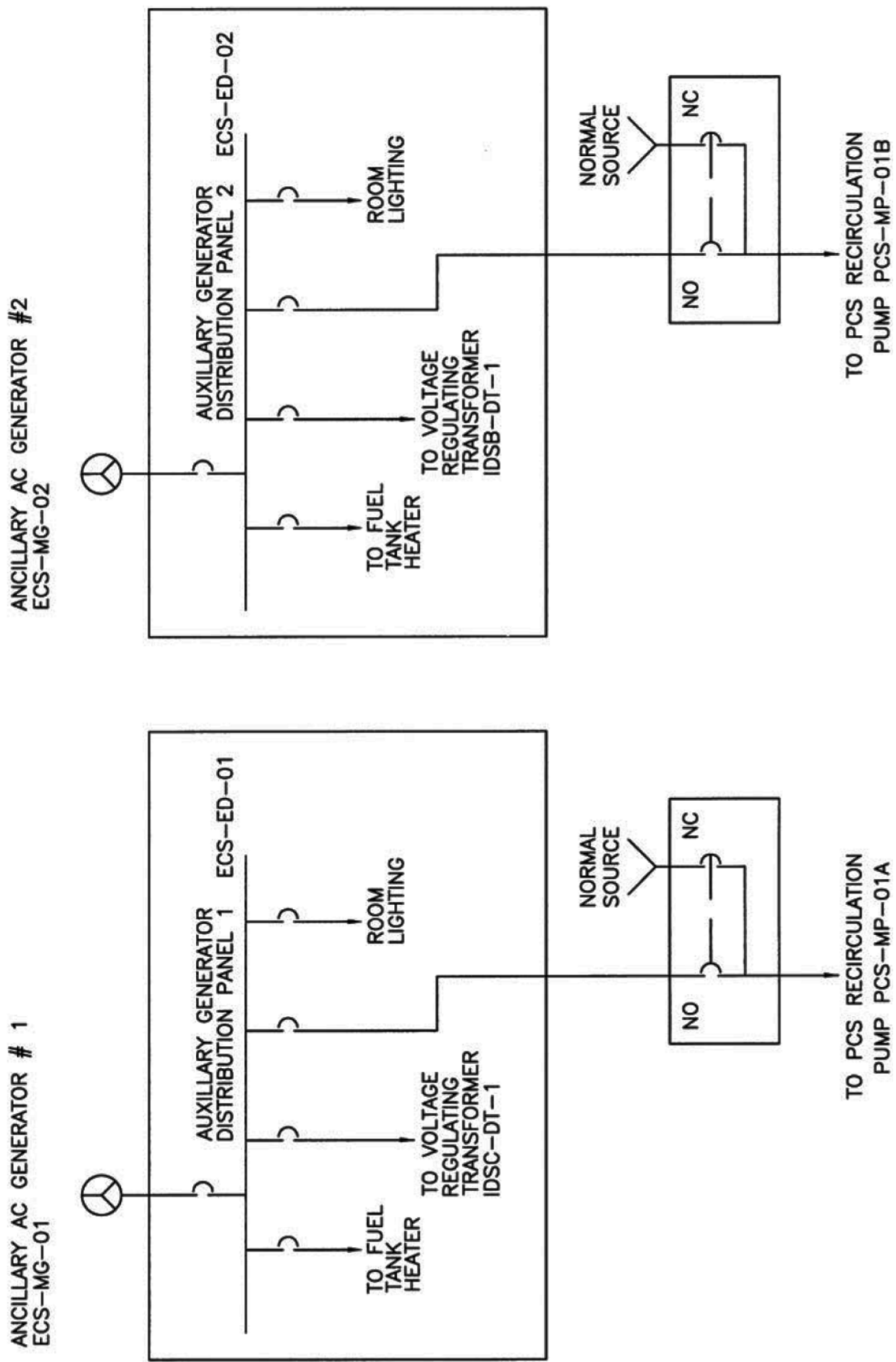


Figure 9-3 Post 72 Hour Temporary Electric Power

DIVISION A

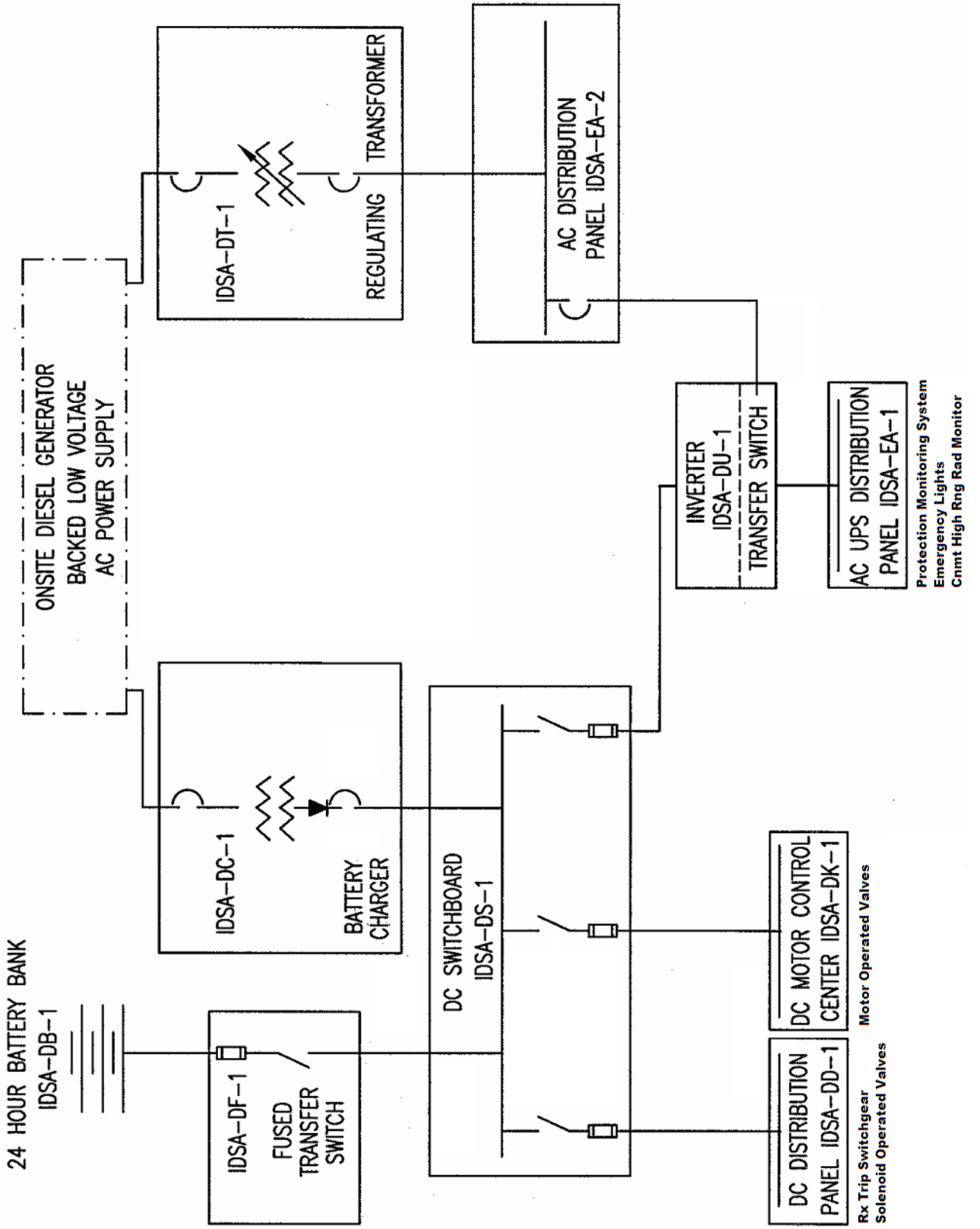


Figure 9-4 Class 1E DC & UPS (Sheet 1)

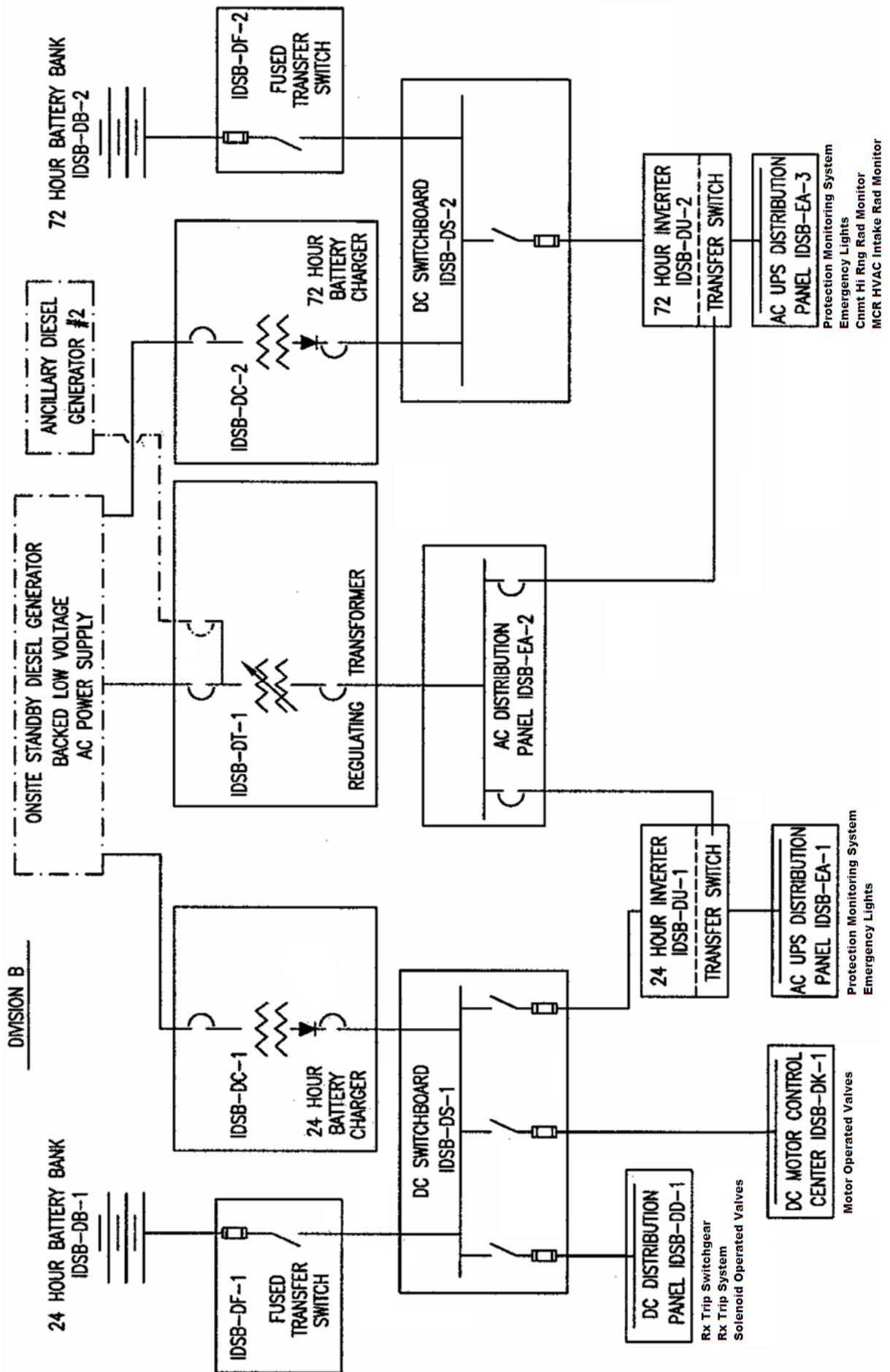


Figure 9-4 Class 1E DC & UPS (Sheet 2)

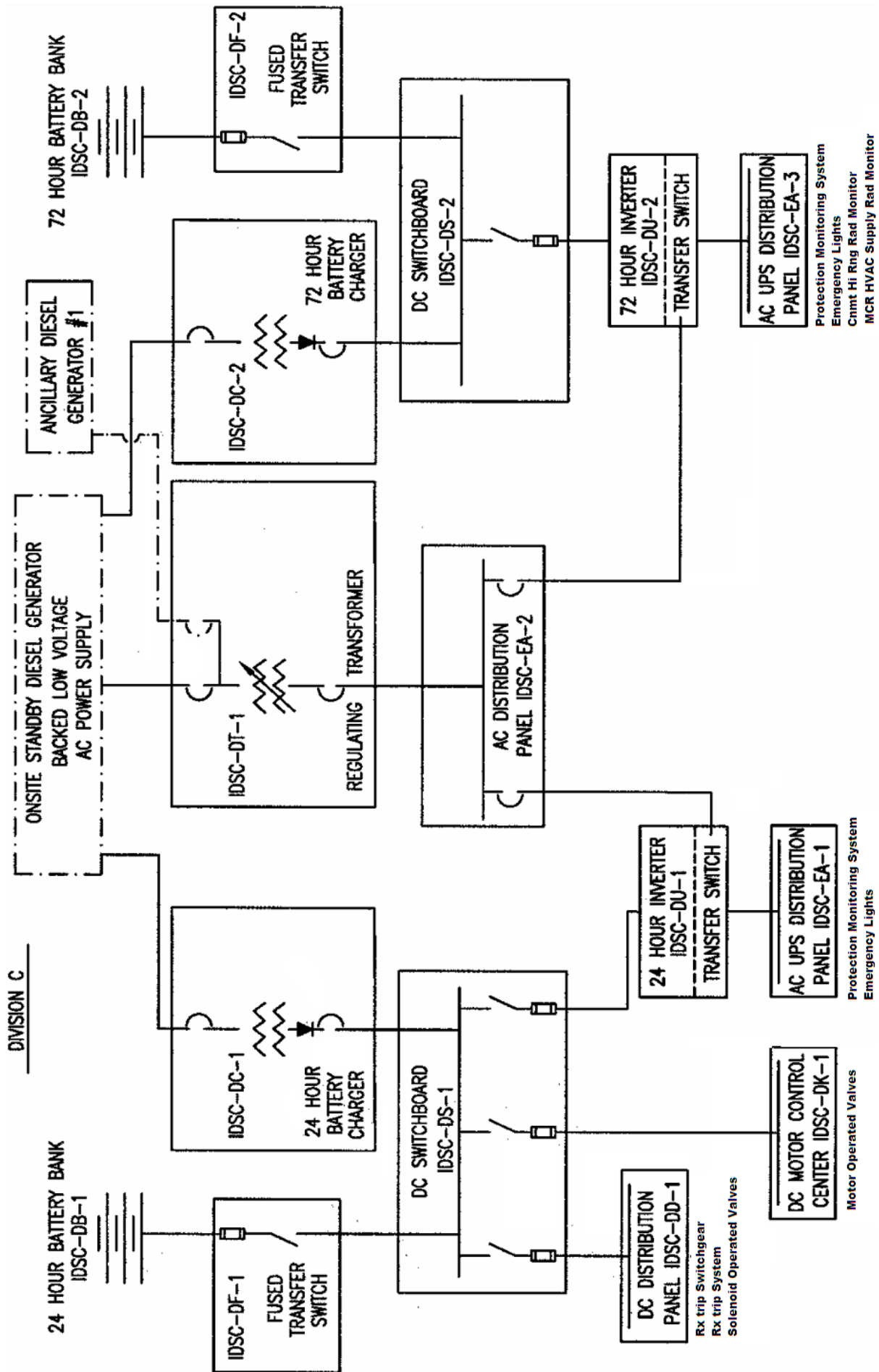


Figure 9-4 Class 1E DC & UPS (Sheet 3)

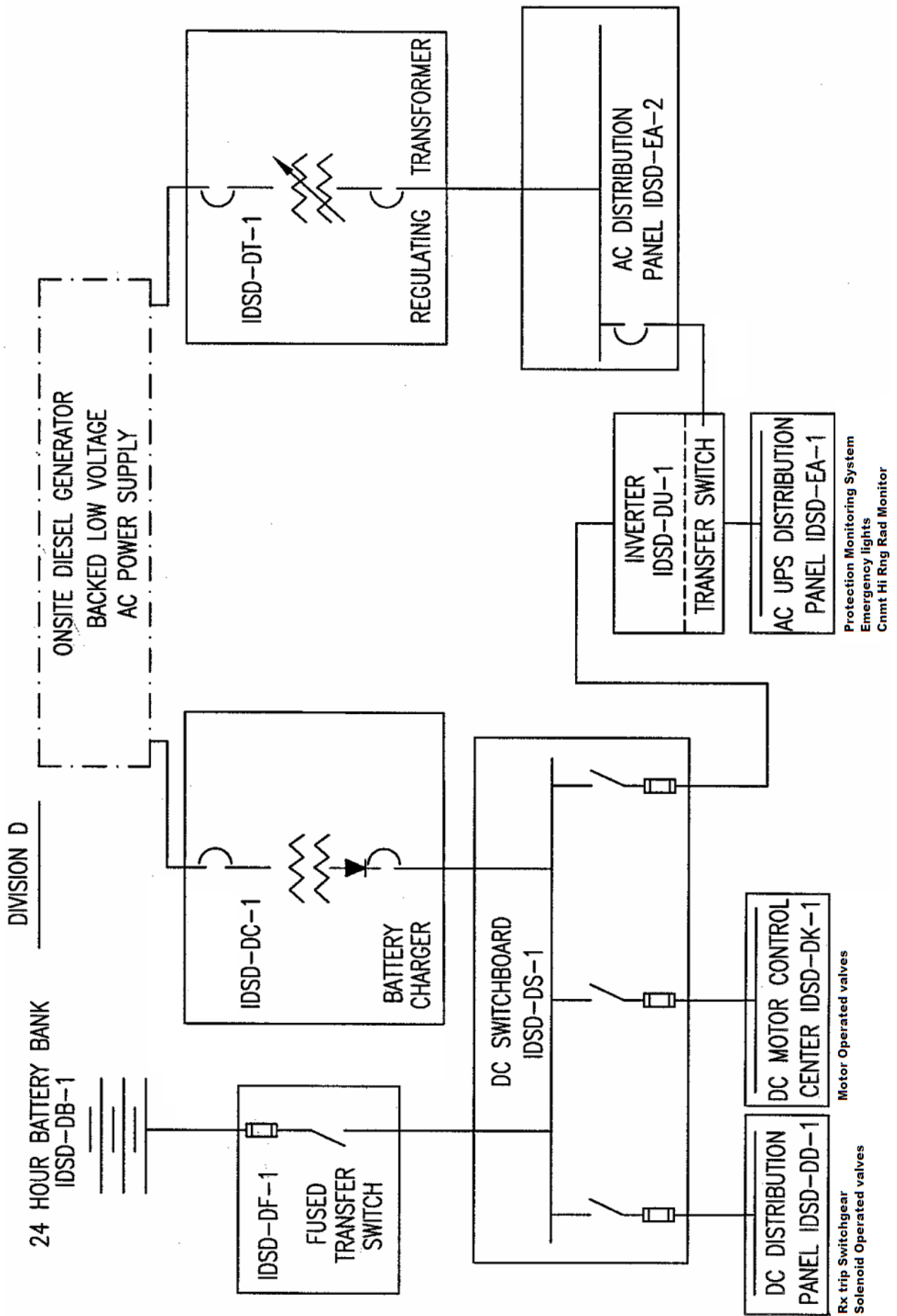


Figure 9-4 Class 1E DC & UPS (Sheet 4)

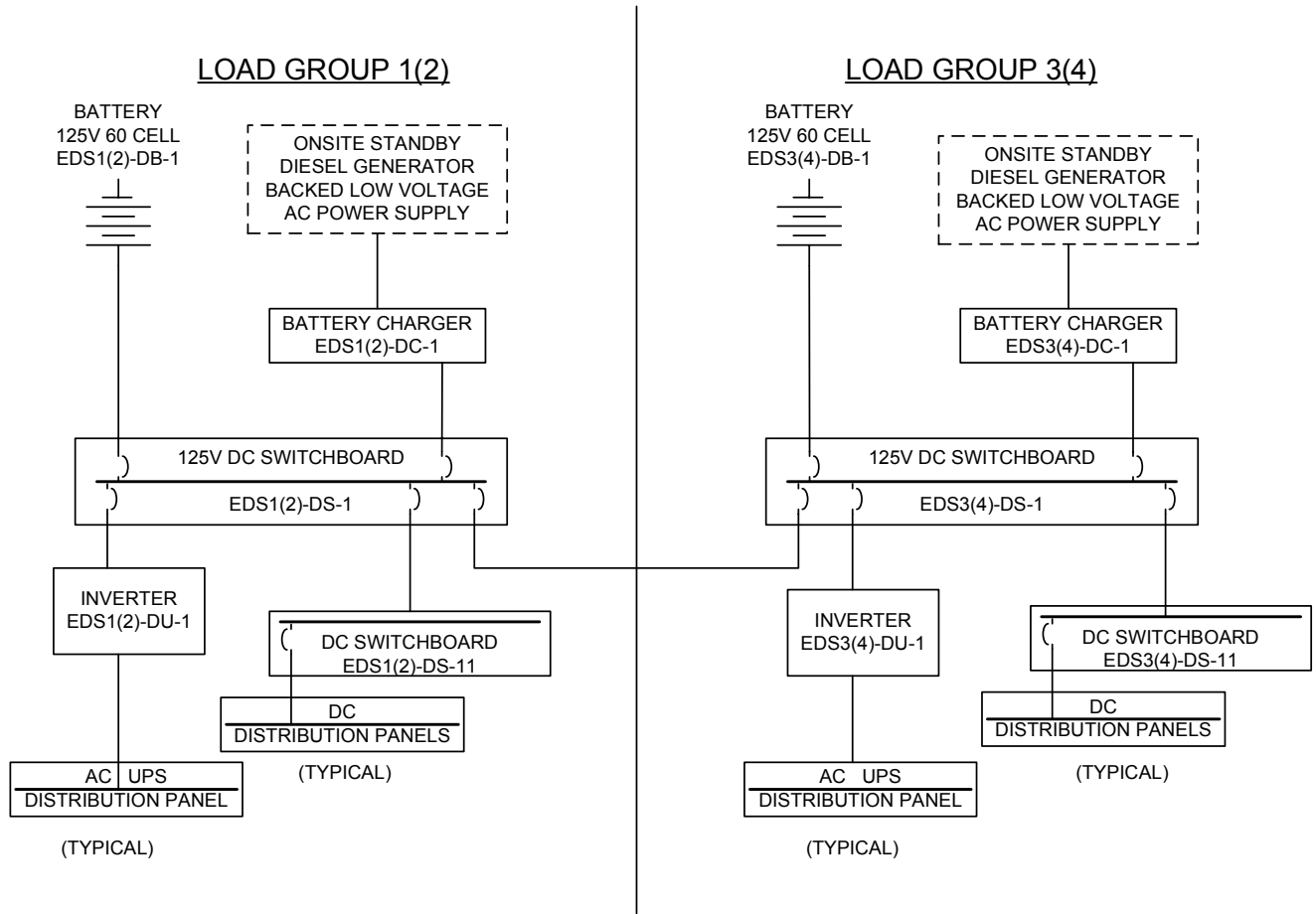


Figure 9-5 Non-Class 1E DC & UPS (Sheet 1)

LOAD GROUP 5

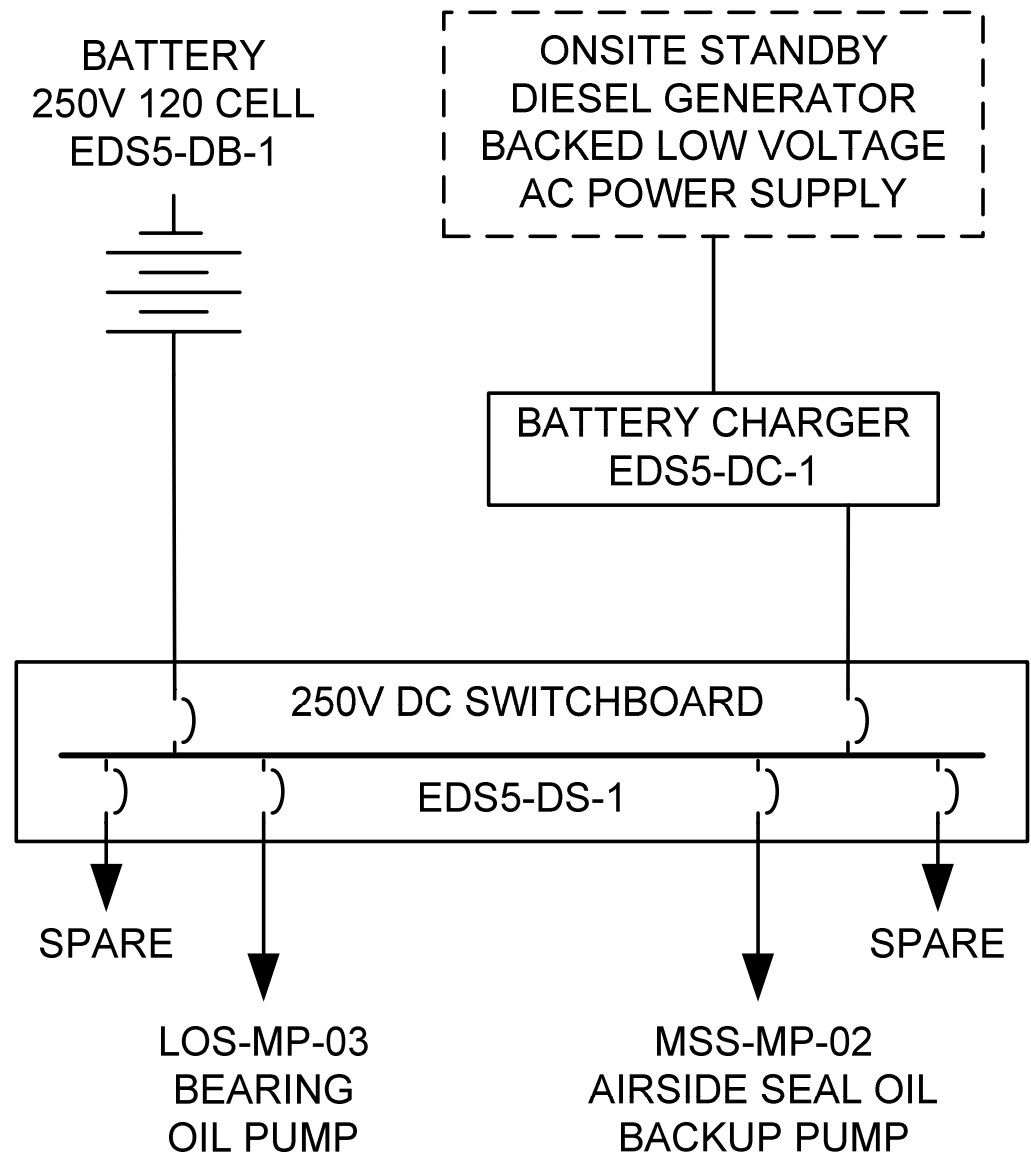


Figure 9-5 Non-Class 1E DC & UPS (Sheet 2)