

Figure 7.2-1 Condensate & Feedwater System (Sheet 1)

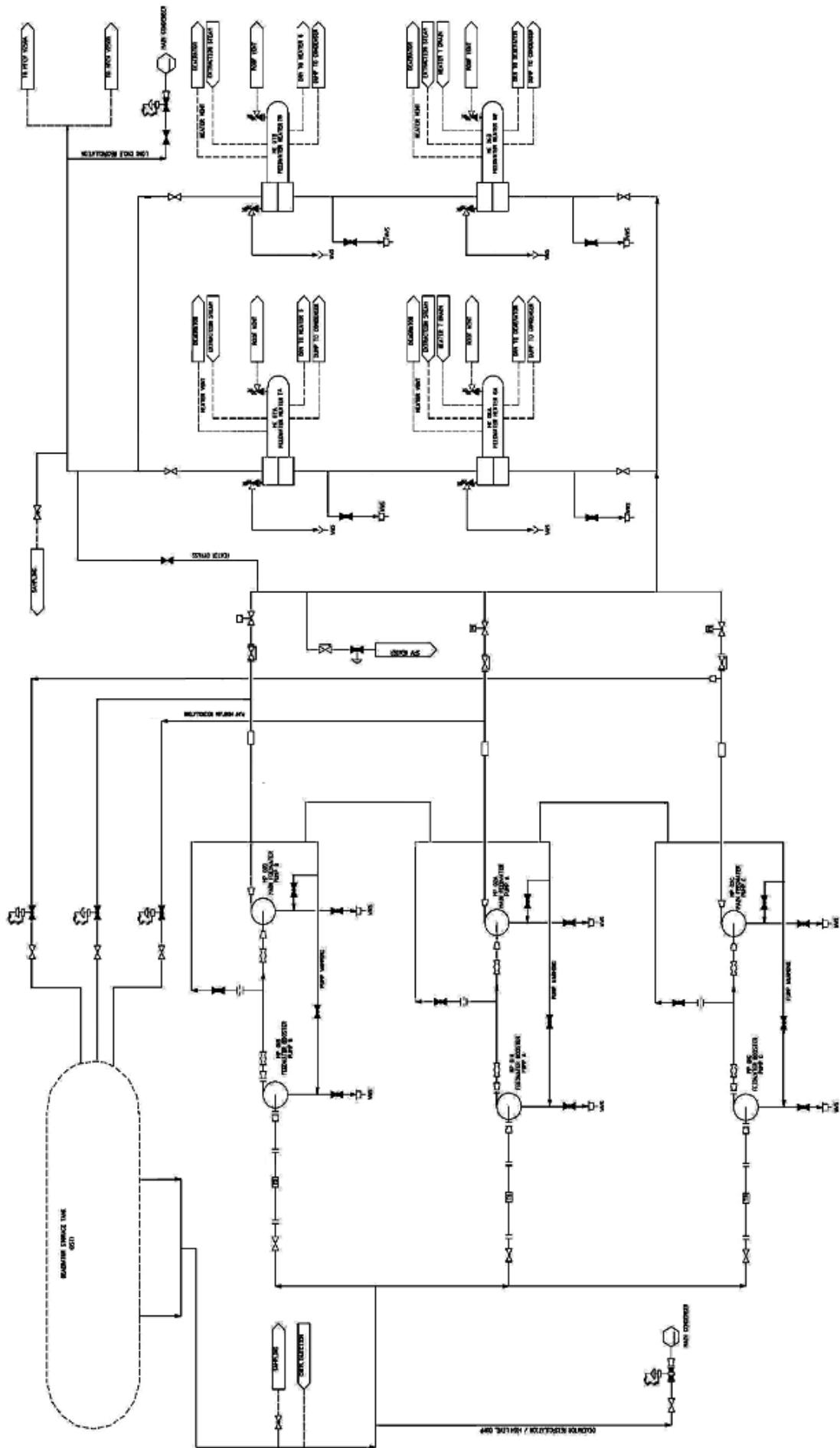


Figure 7.2-3 Condensate & Feedwater System (Sheet 3)

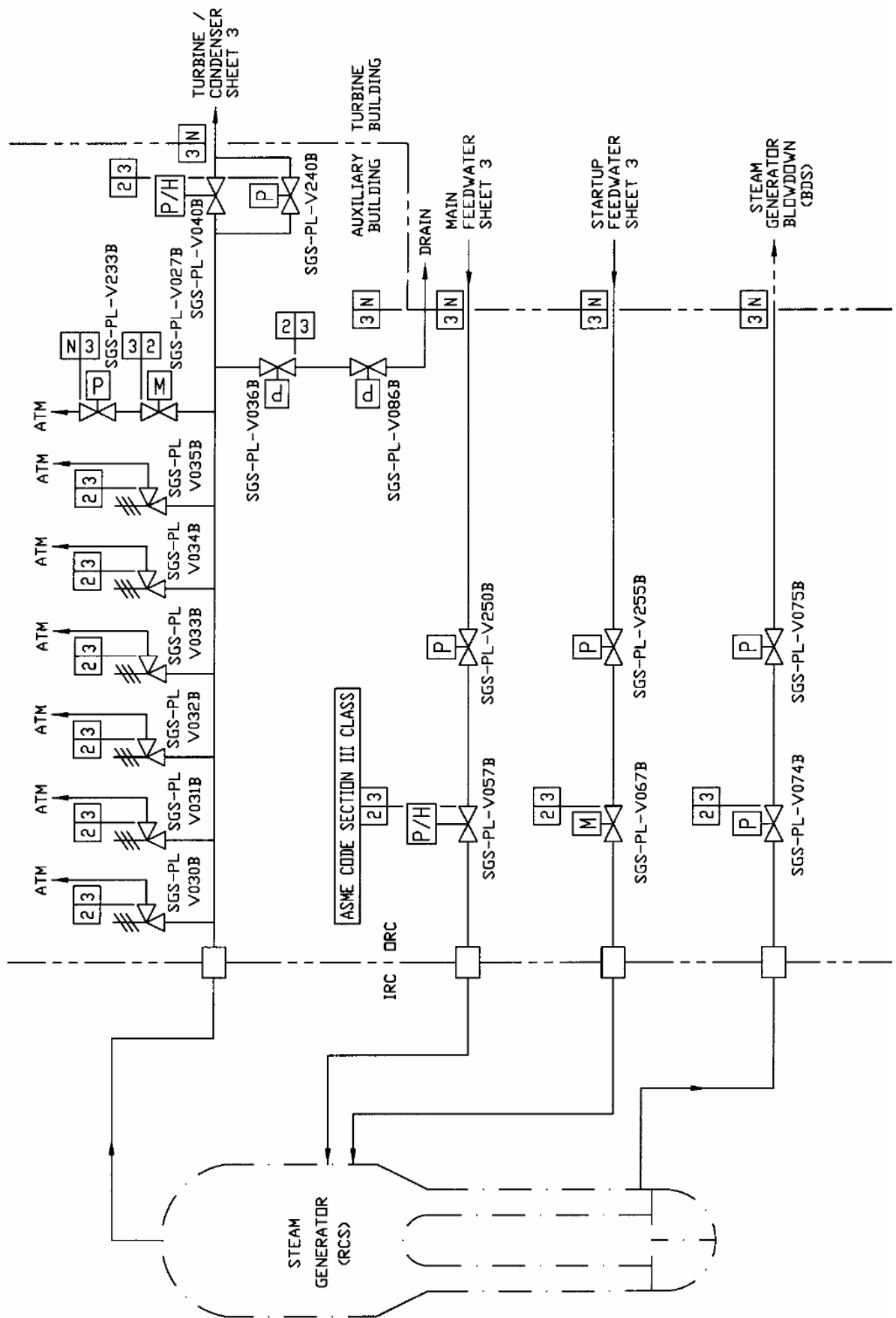


Figure 7.2-4
Main Steam Supply System and Steam Generator Feedwater Inlets