

Figure 6.4-1
Main Control Room/Technical Support HVAC Subsystem

(Redacted)

Figure 6.4-2
Main Control Room Pressure Boundary

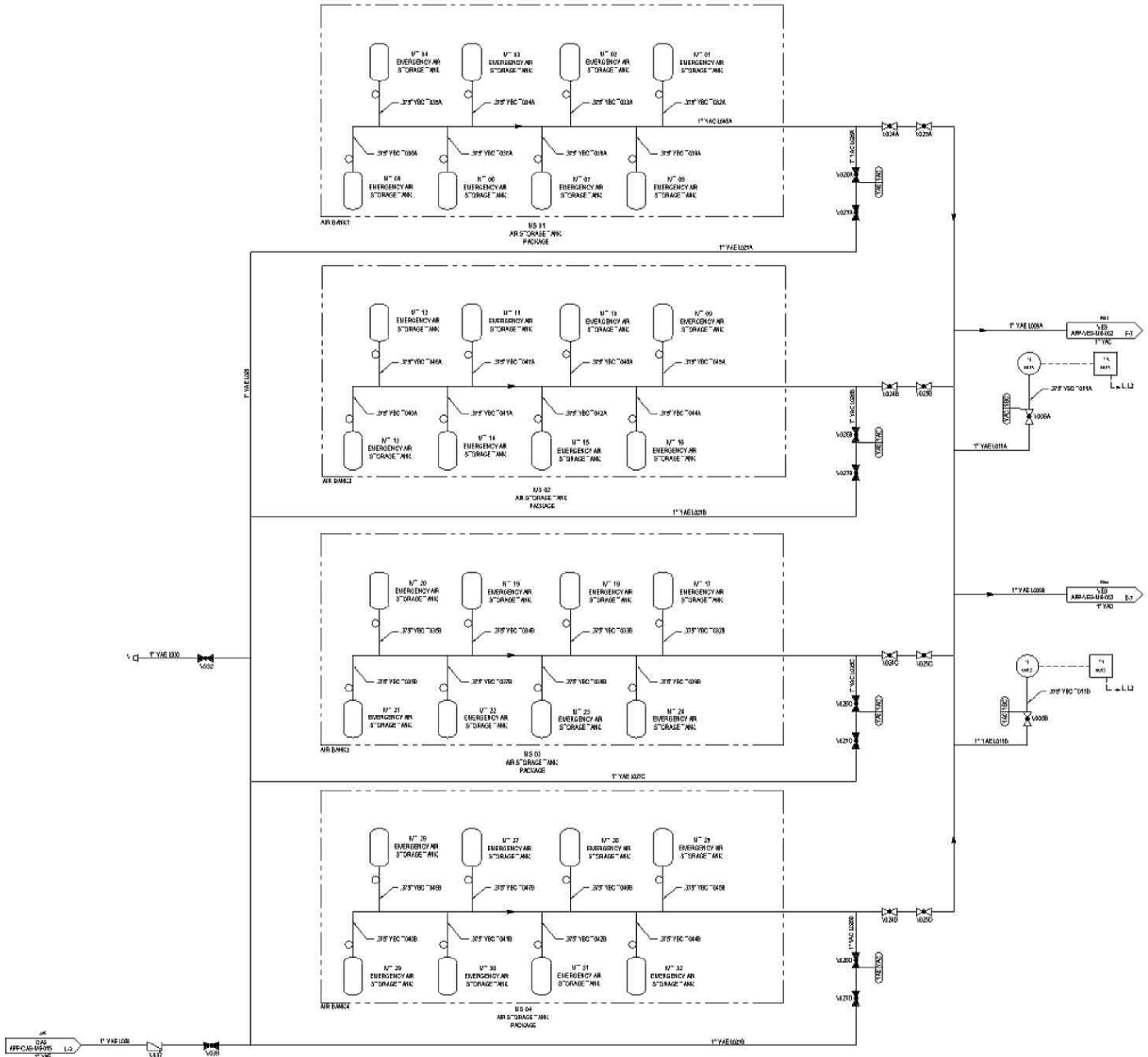


Figure 6.4-3 Main Control Room Habitability System (Sheet 1)

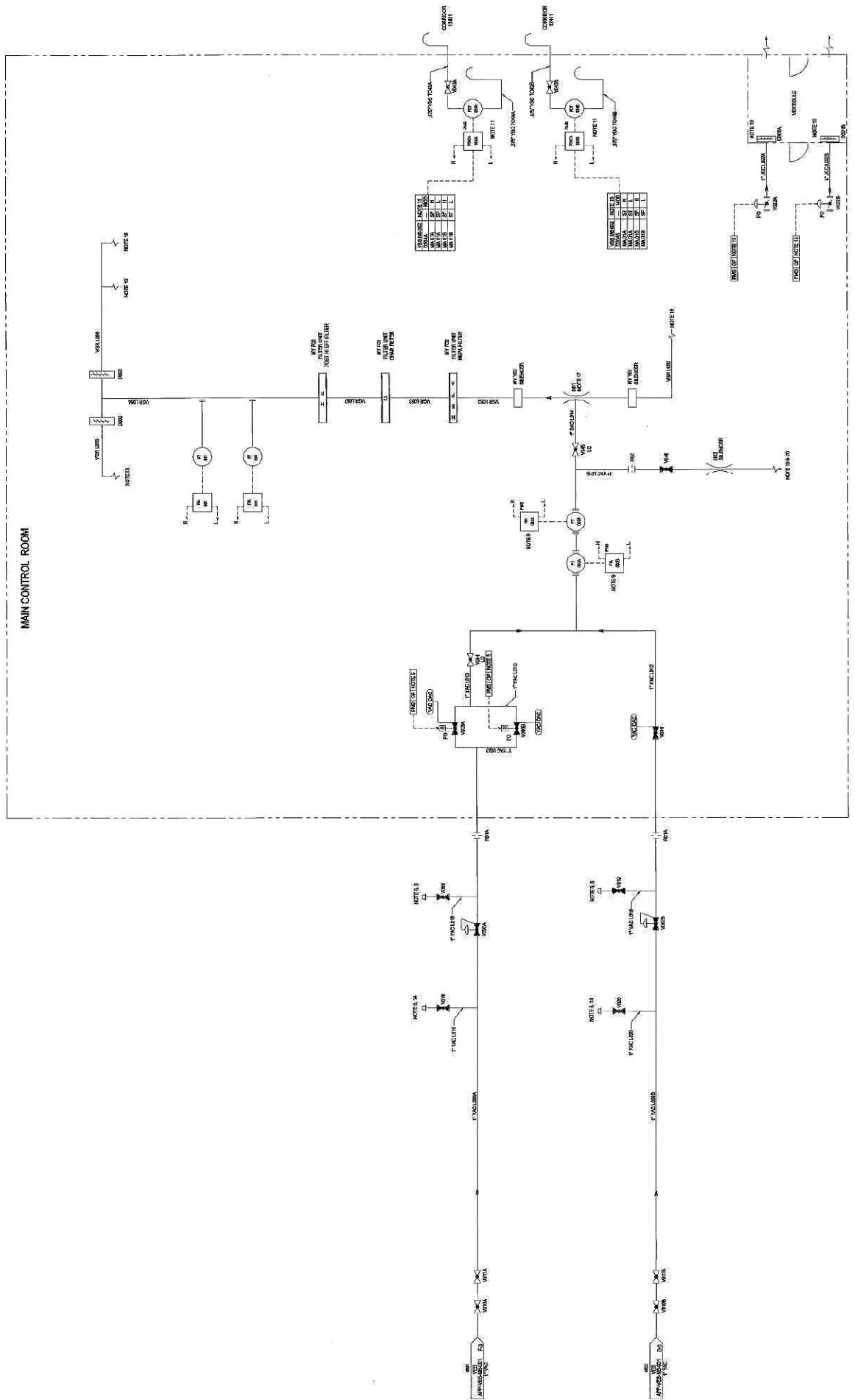


Figure 6.4-3 Main Control Room Habitability System (Sheet 2)