

Figure 6.1-1 Normal Residual Heat Removal System

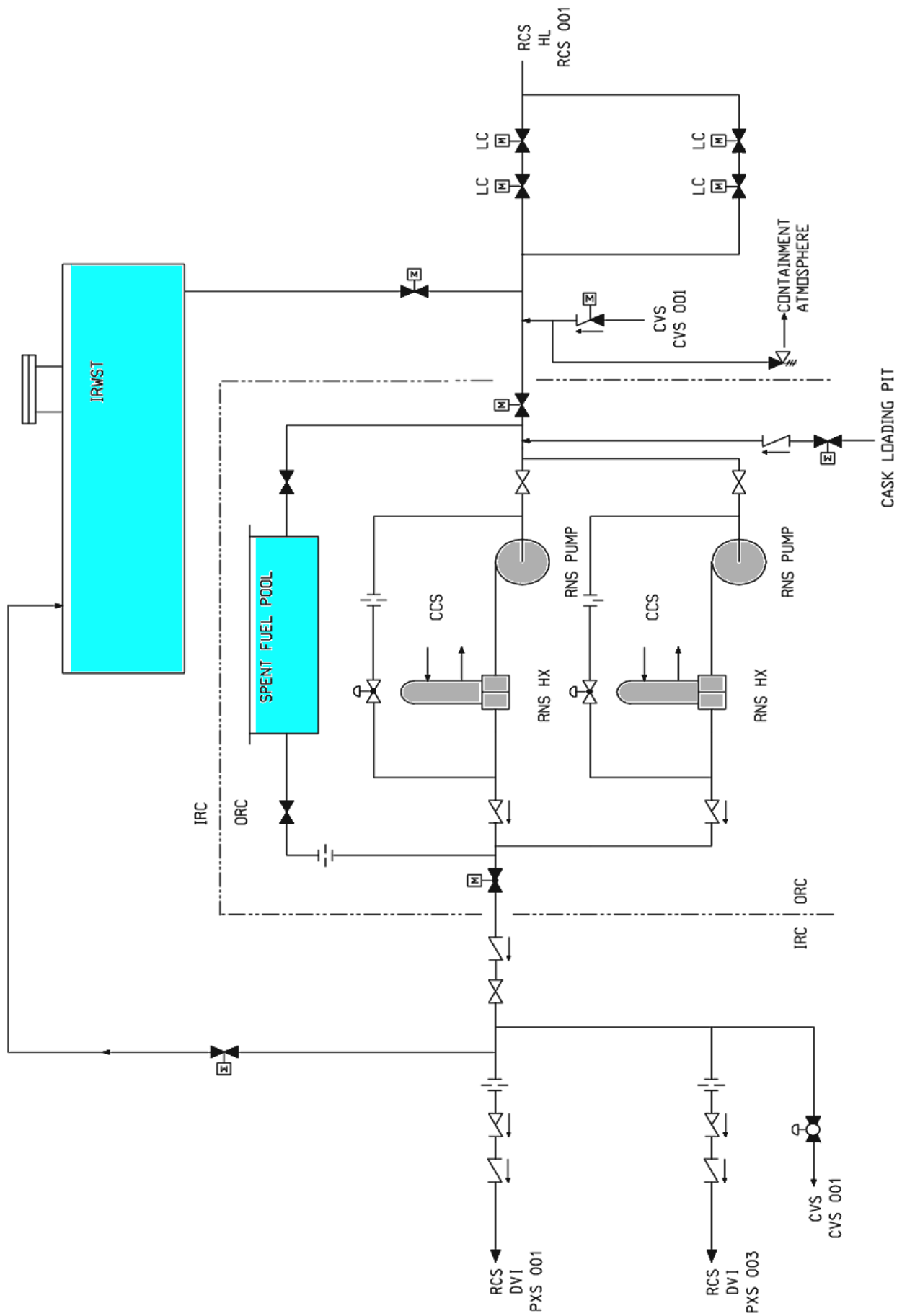


Figure 6.1-2 Normal Residual Heat Removal System Interfaces

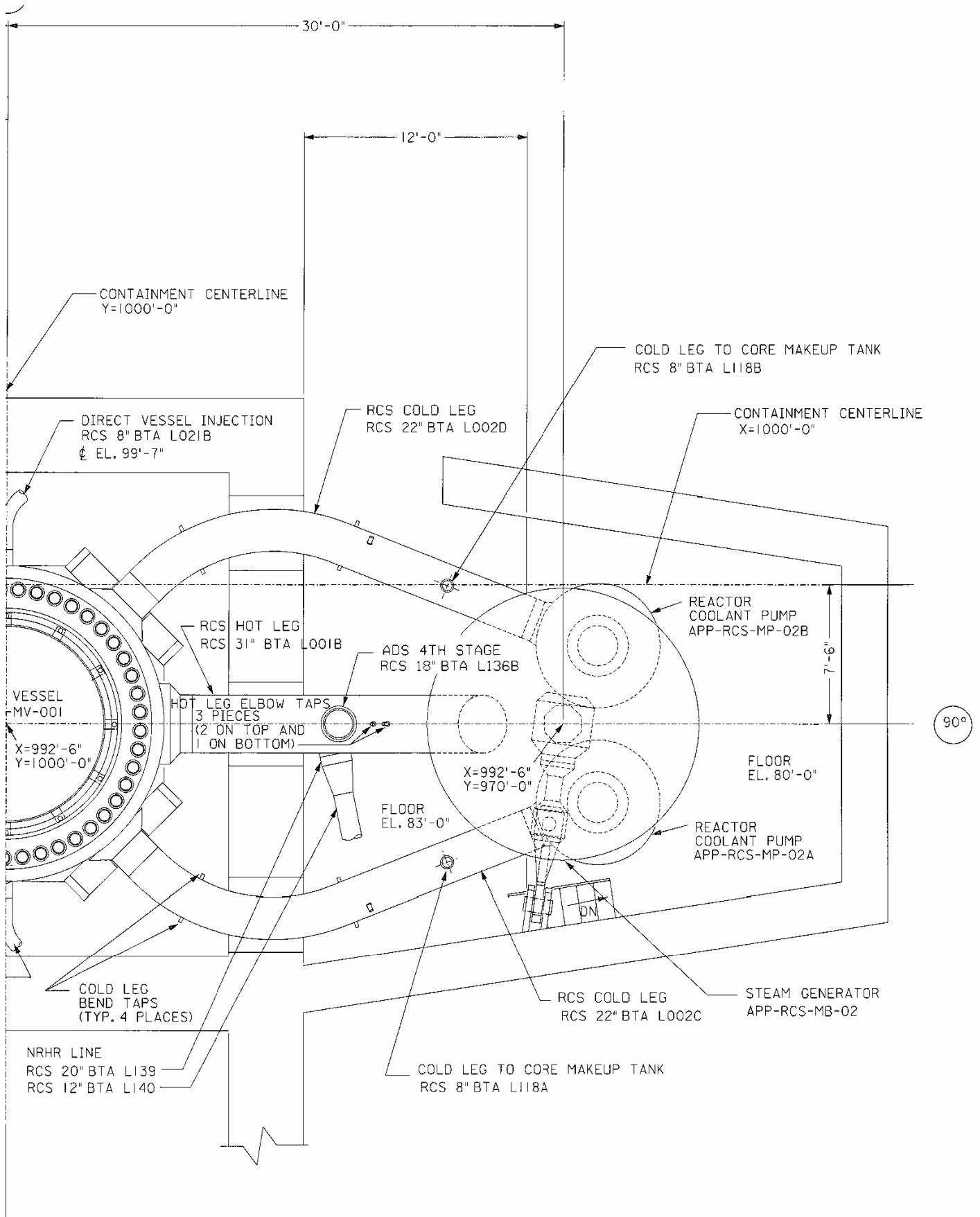


Figure 6.1-3
Normal Residual Heat Removal System Suction Line Connection