

Figure 5.1-1 Containment Vessel

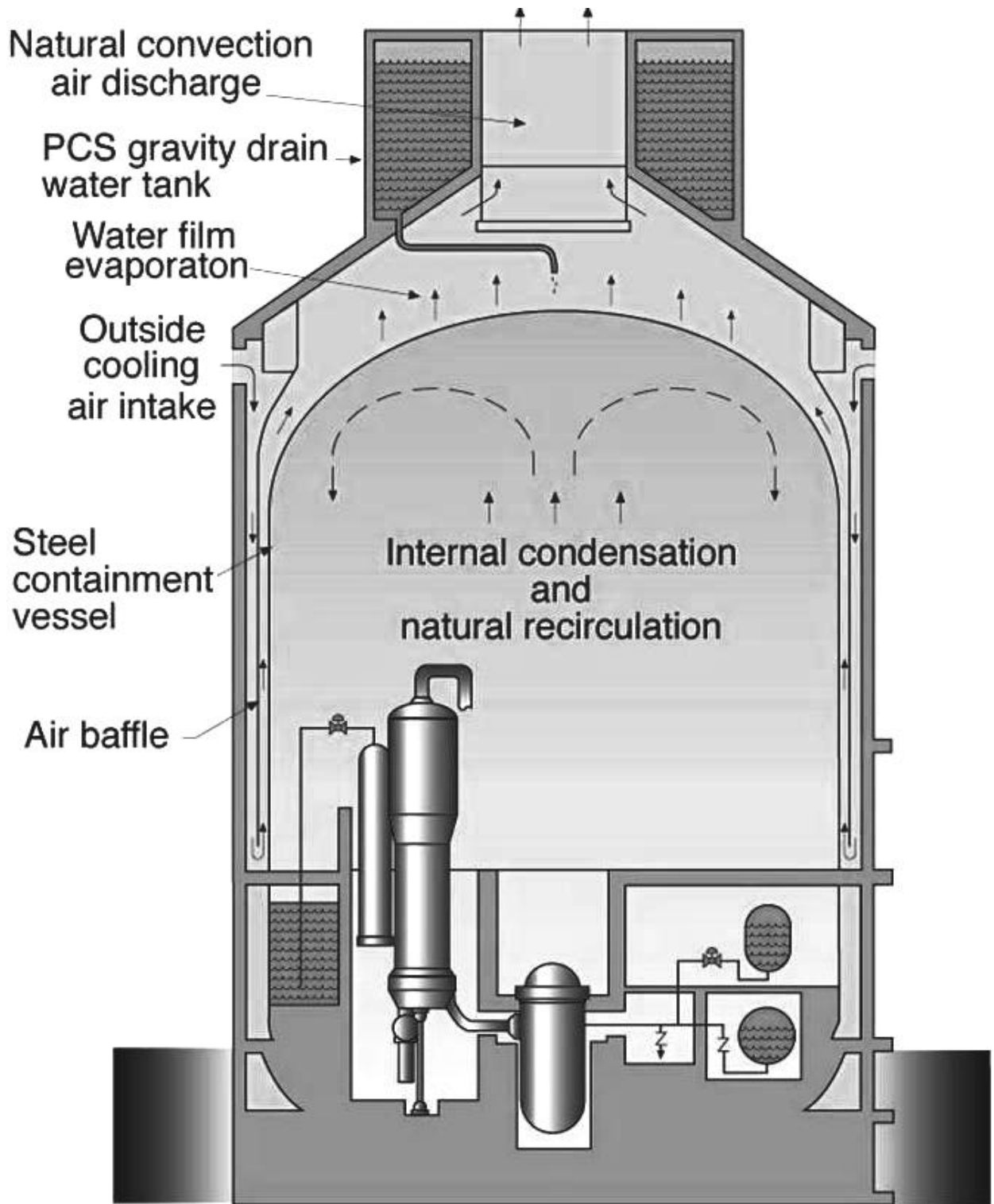


Figure 5.1-2 Containment and Shield Buildings with Passive Cooling Effects