

Figure 9-1 Simplified Electric Power System One-Line Diagram

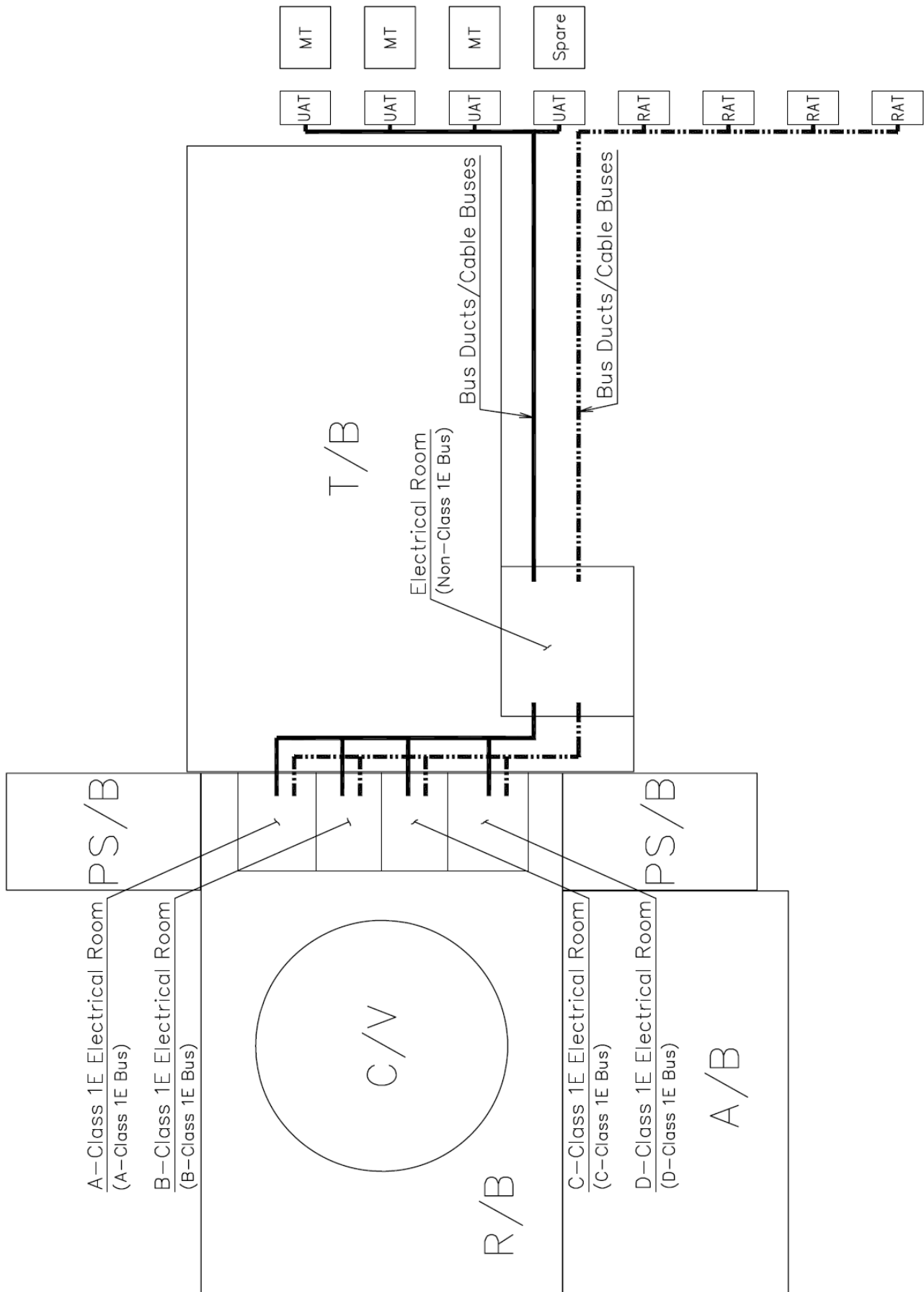


Figure 9-2 Physical Arrangement of Major Electrical Components

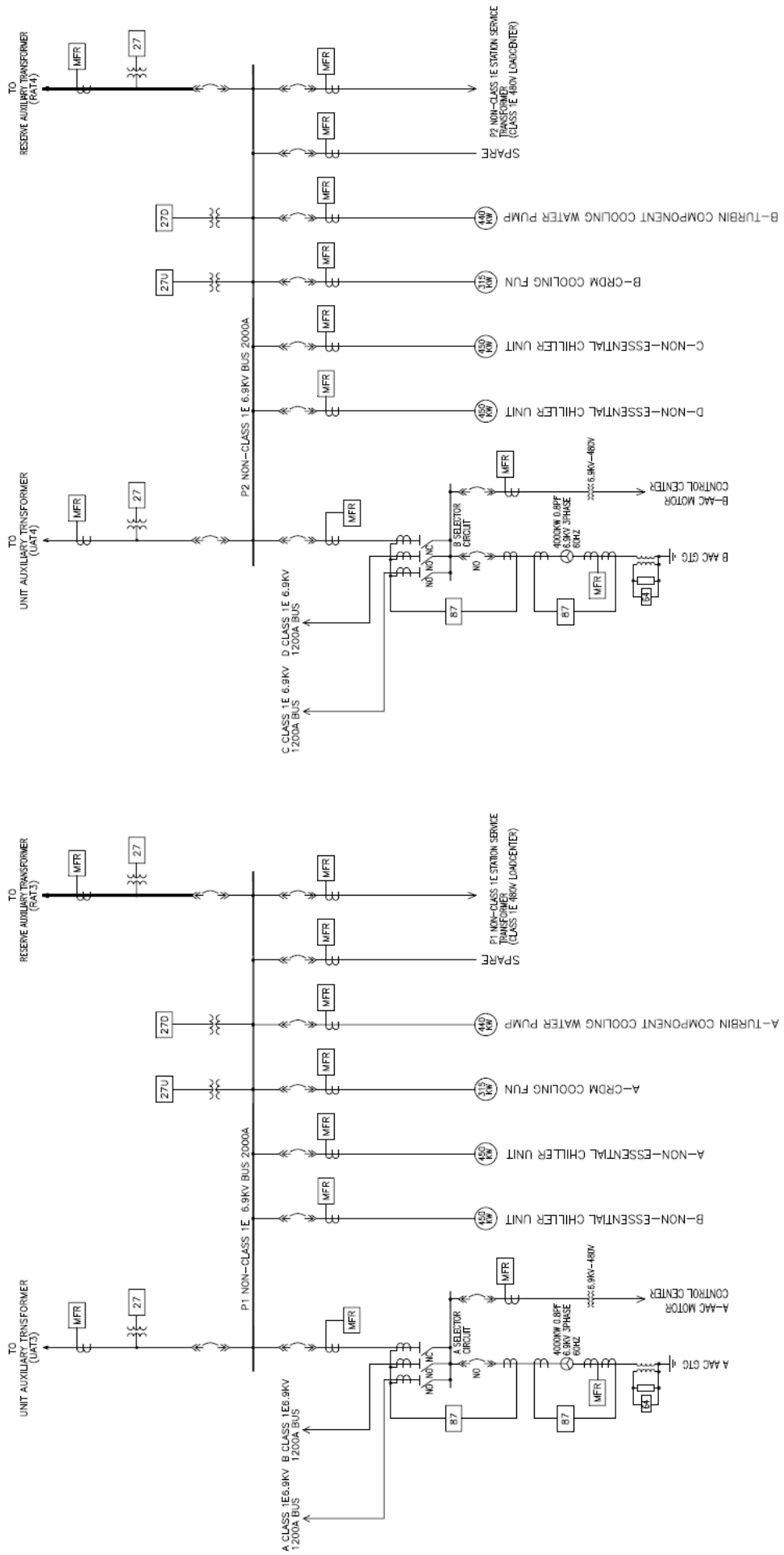


Figure 9-3 Buses P1 and P2 One-Line Diagram

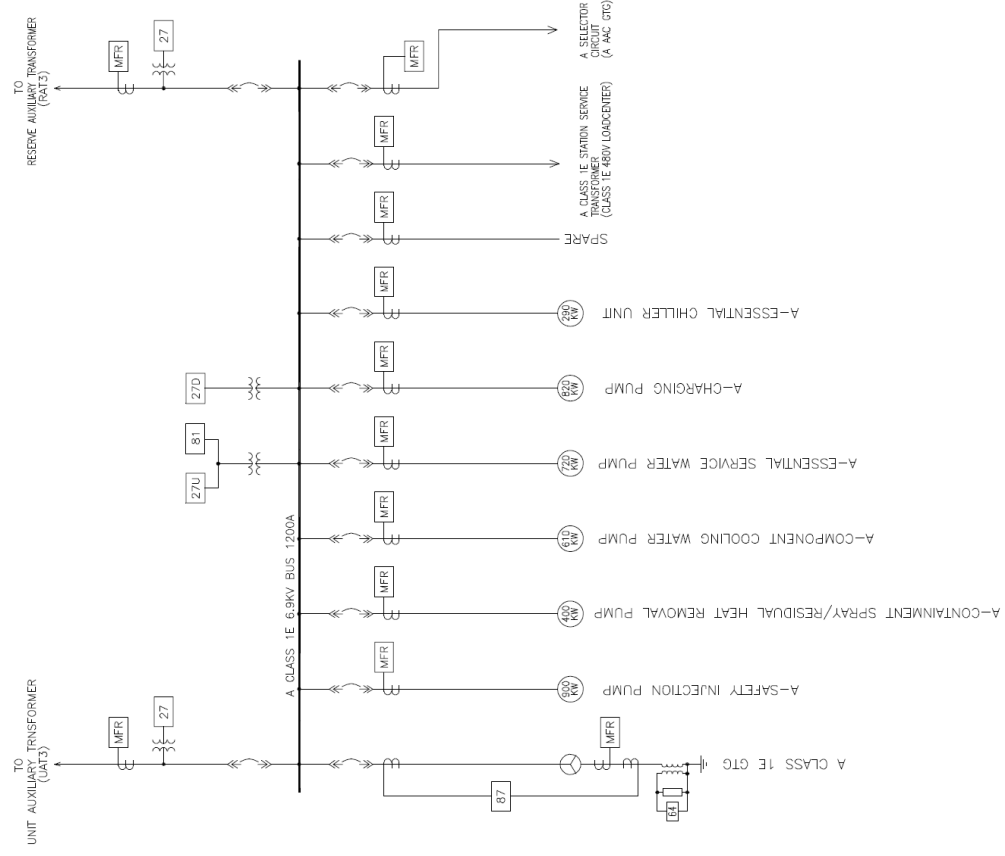
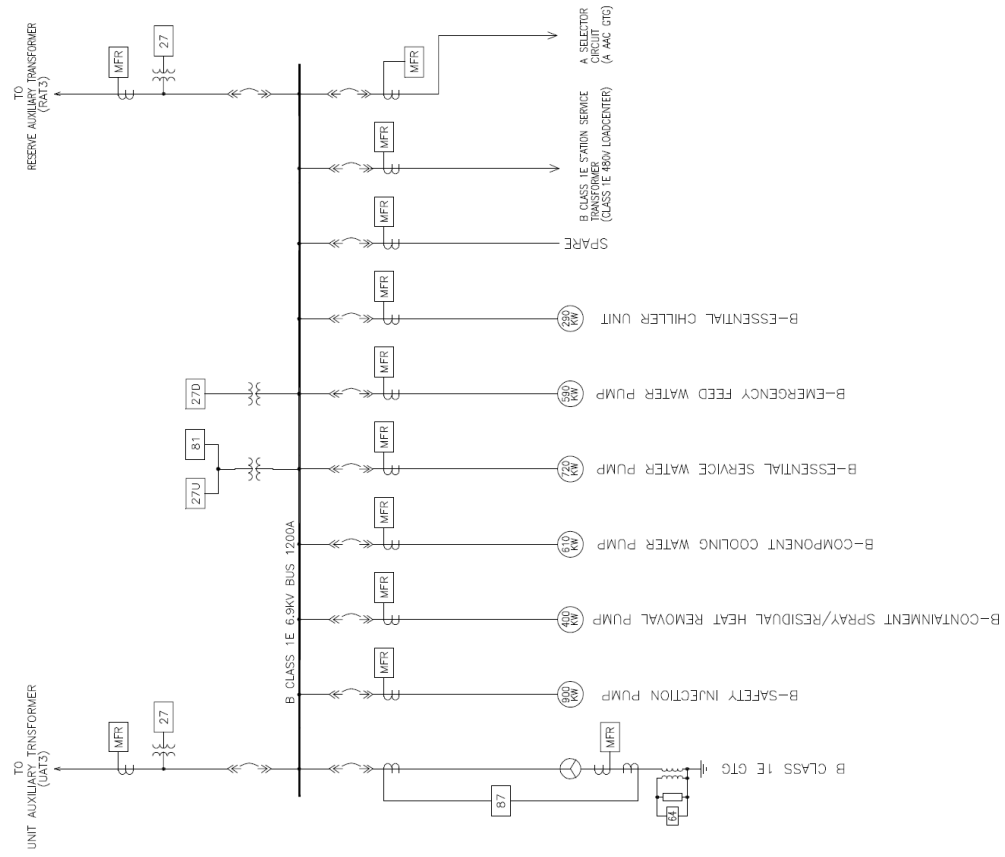
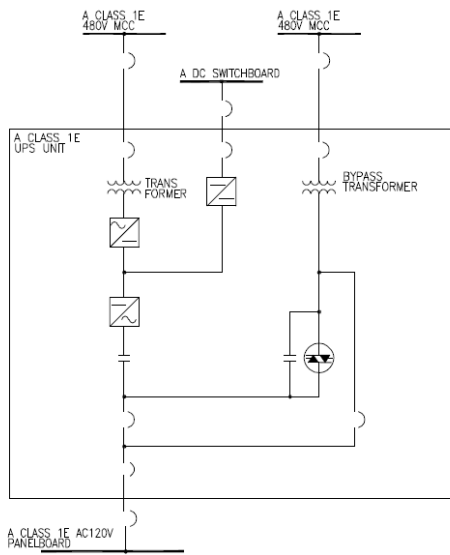
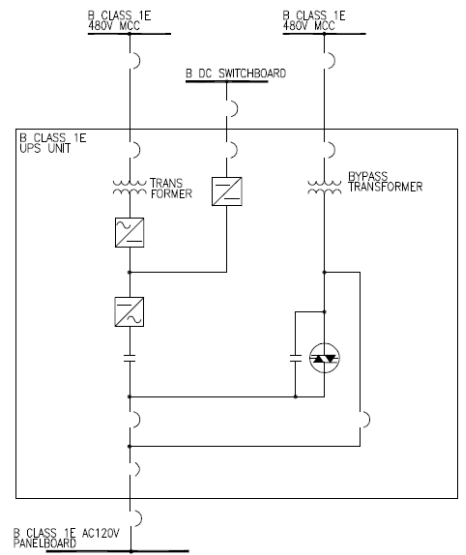


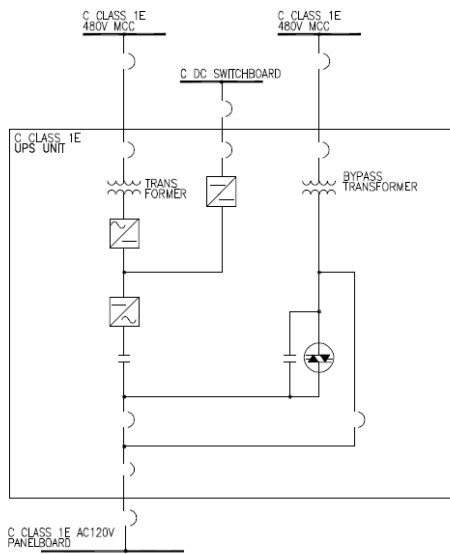
Figure 9-4 6.9-kV Class 1E Buses A & B (Similar to D & C)



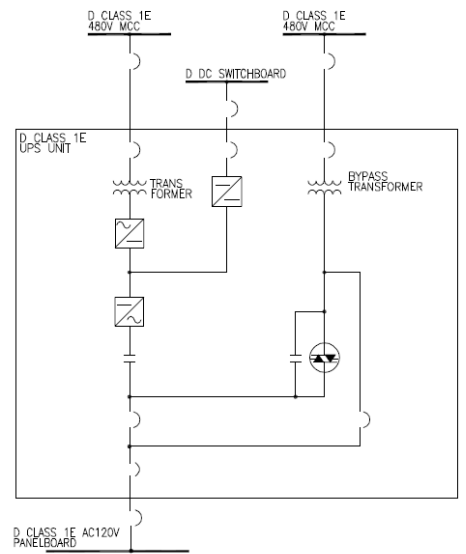
TRAIN A



TRAIN B



TRAIN C



TRAIN D

Figure 9-5 Class 1E 120-V AC I&C Power Supply Panels

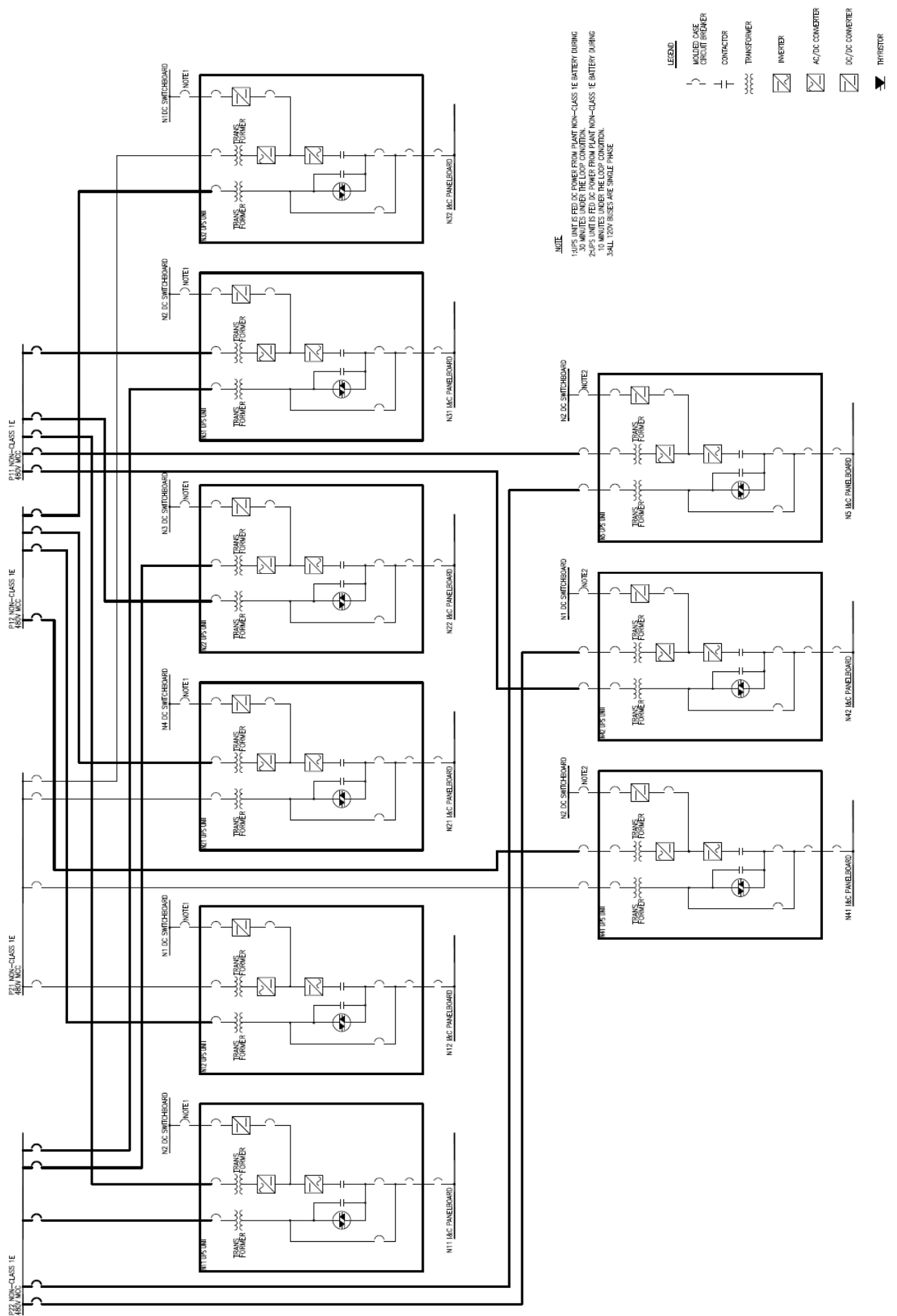


Figure 9-6 Non-Class 1E 120-V AC I&C Power Supply Panels

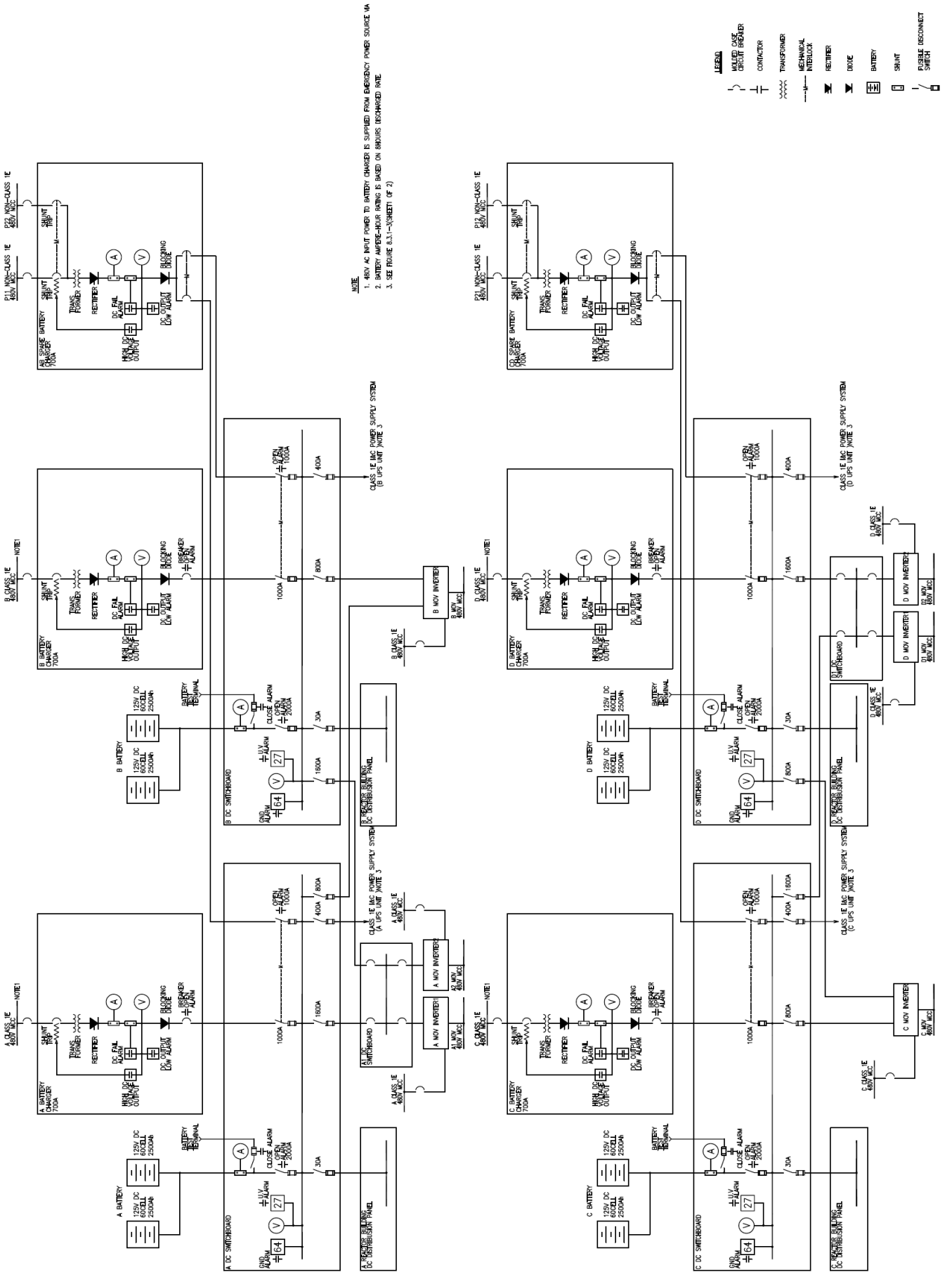


Figure 9-7 Class 1E DC Power Distribution

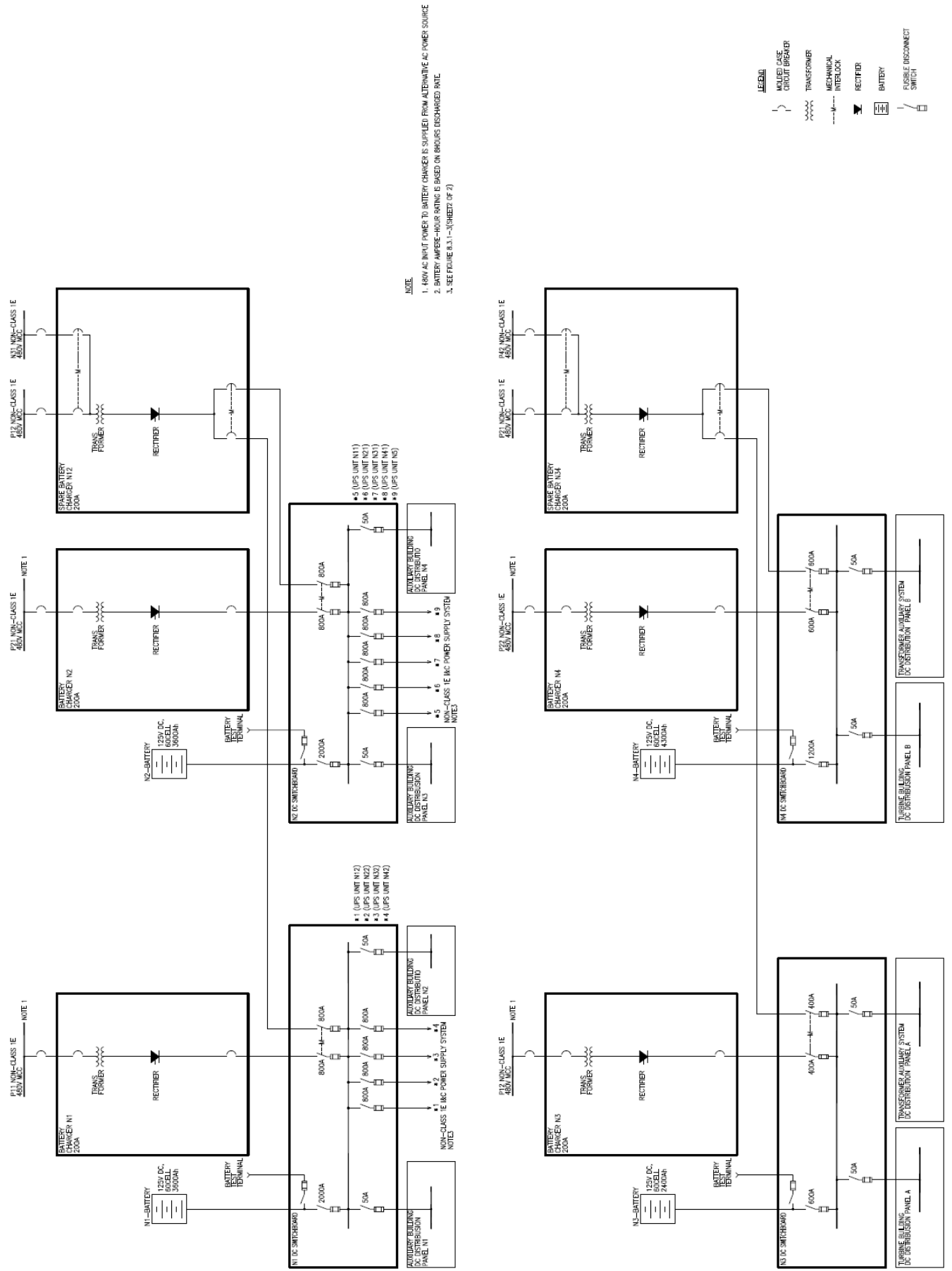


Figure 9-8 Non-Class 1E DC Power Distribution