

Figure 7-1  
Steam and Power Conversion System Composite Diagram

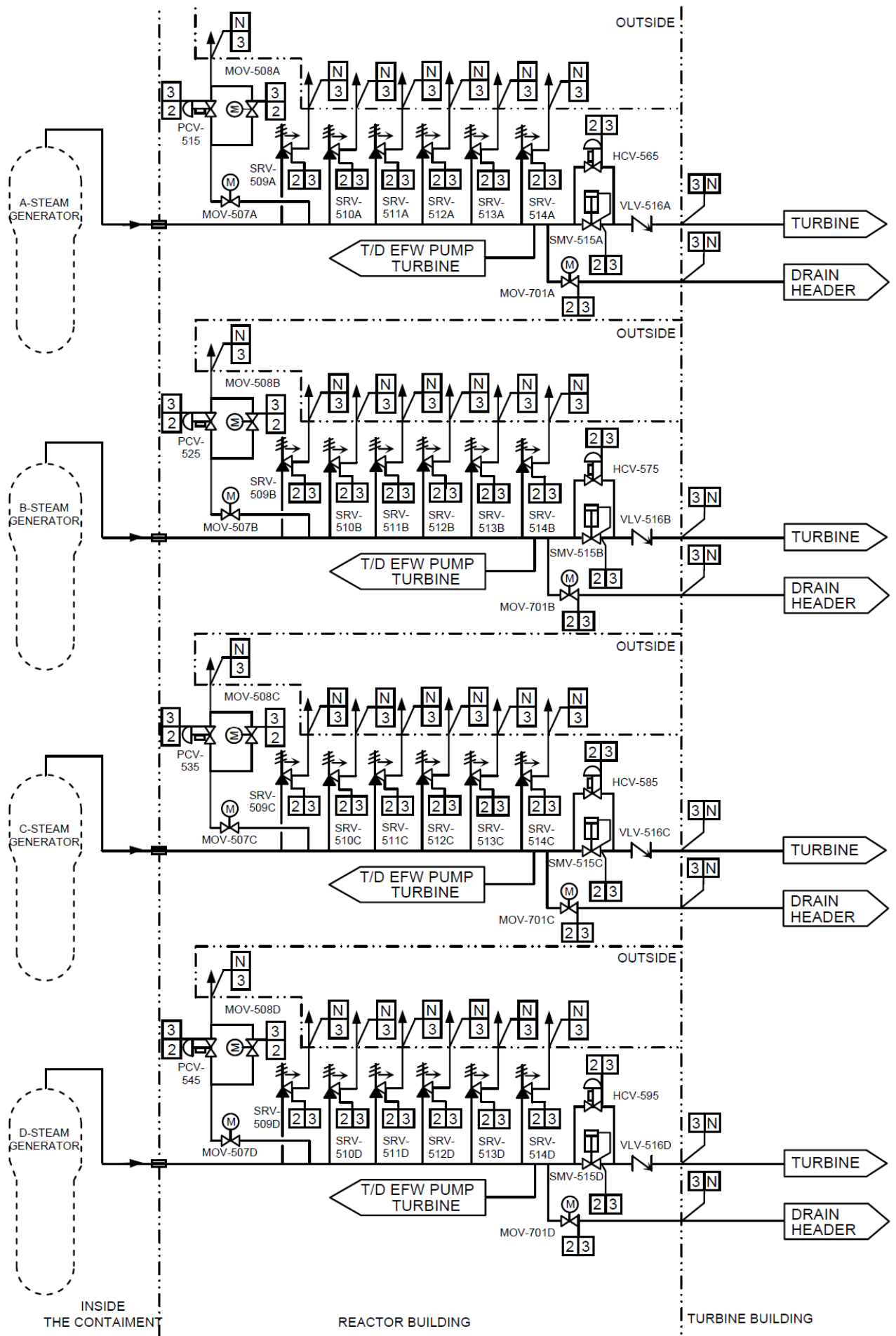


Figure 7-2 Main Steam Supply System (Sheet 1)

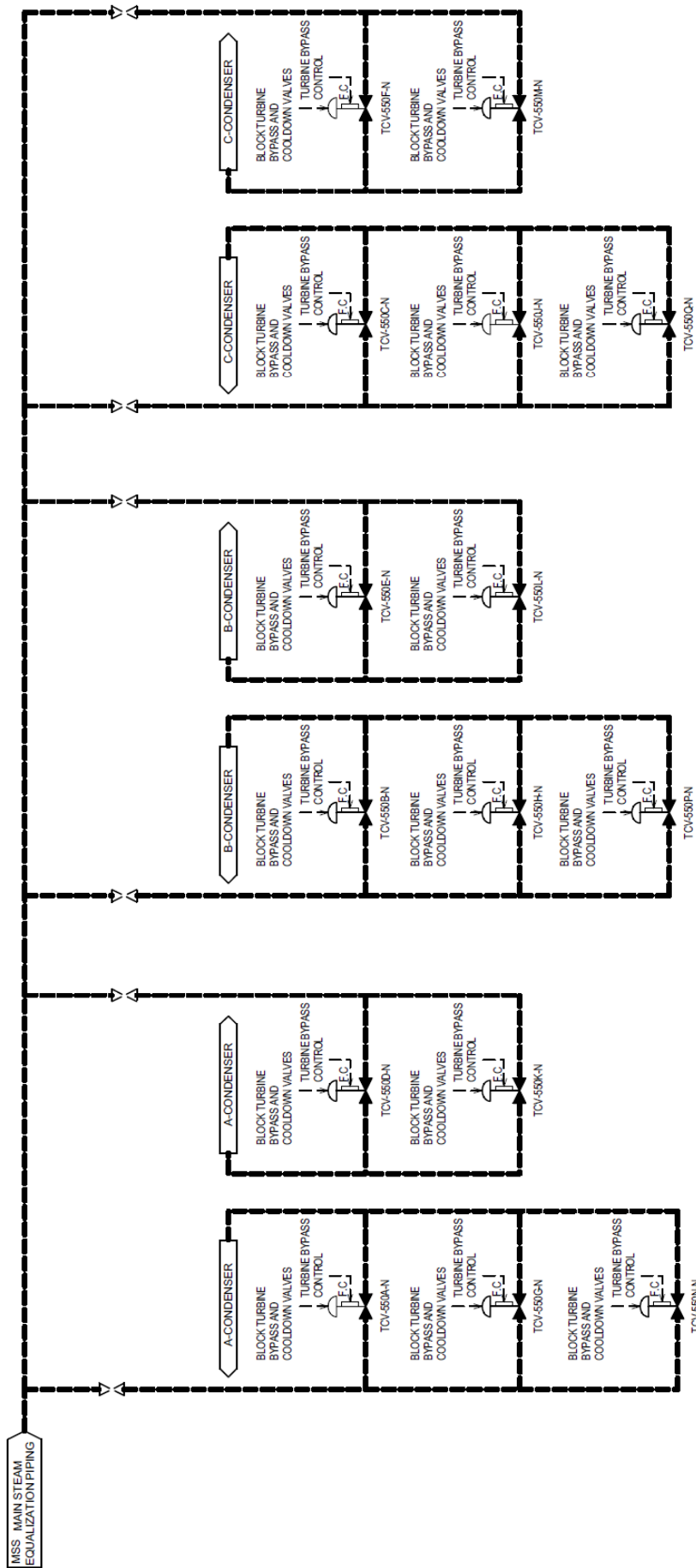
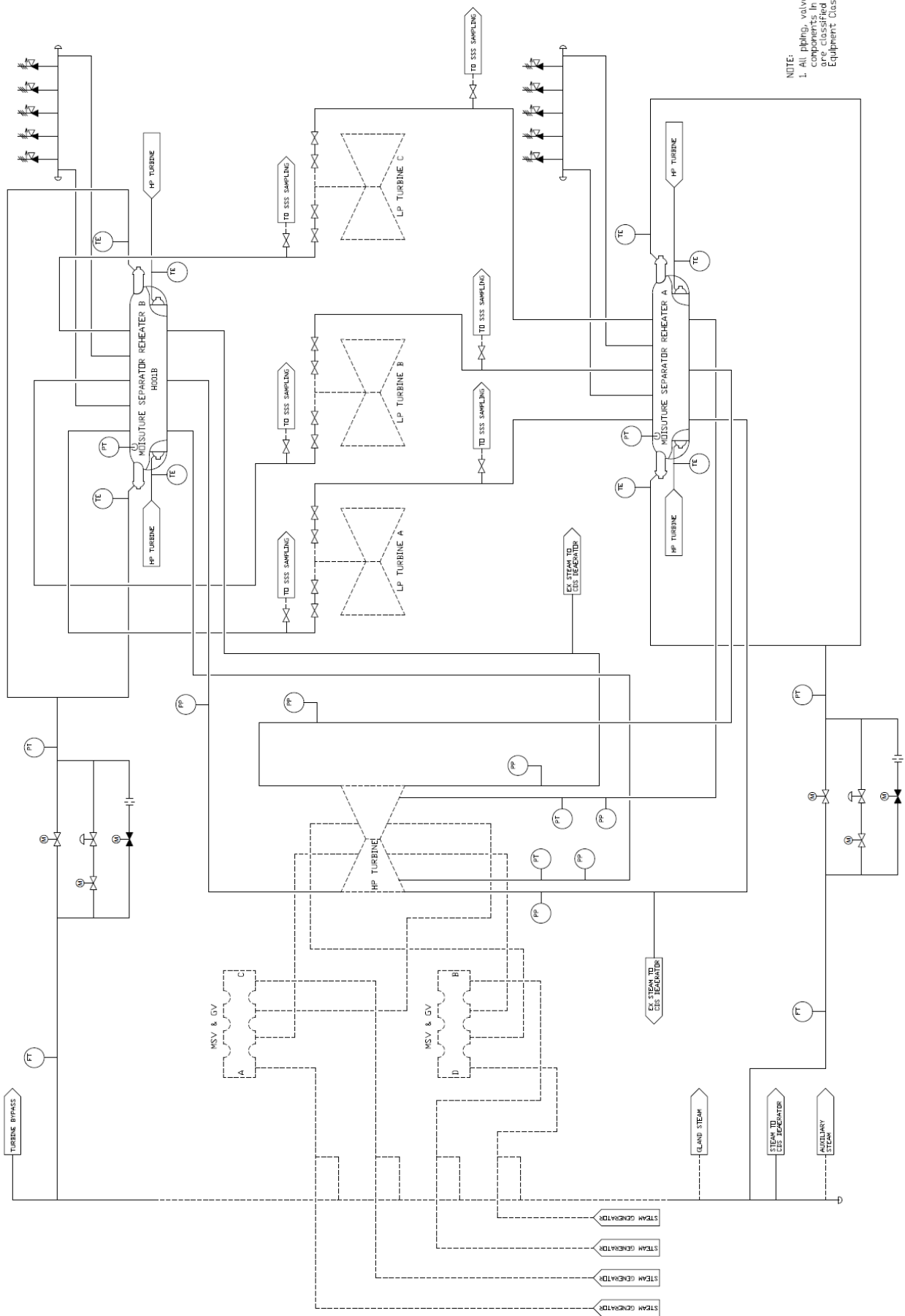


Figure 7-2 Main Steam Supply System (Sheet 2)



NOTE:  
 1. All piping, valves, and components in this sheet are classified as Equipment Class B.

Figure 7-2 Main Steam Supply System (Sheet 3)

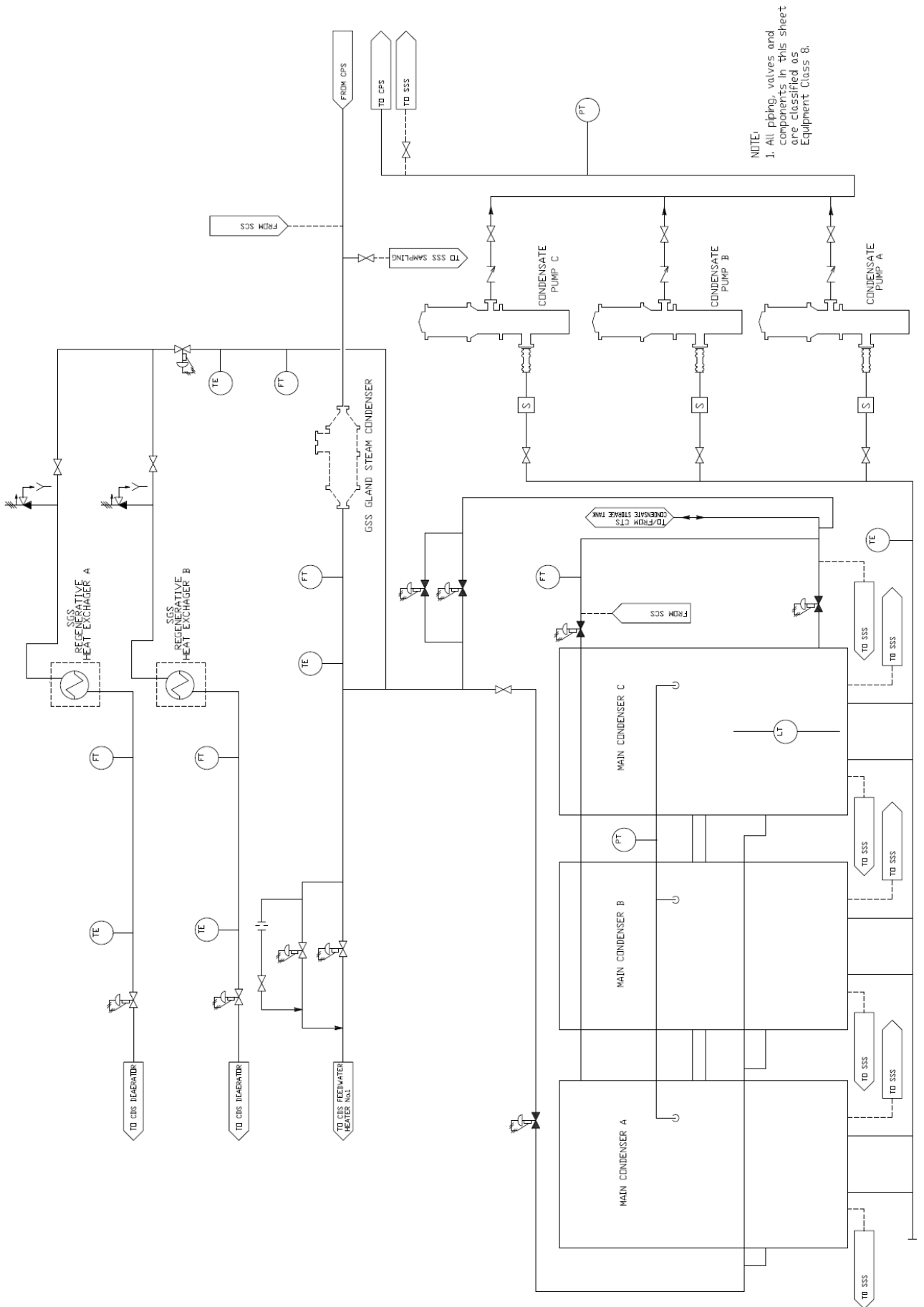
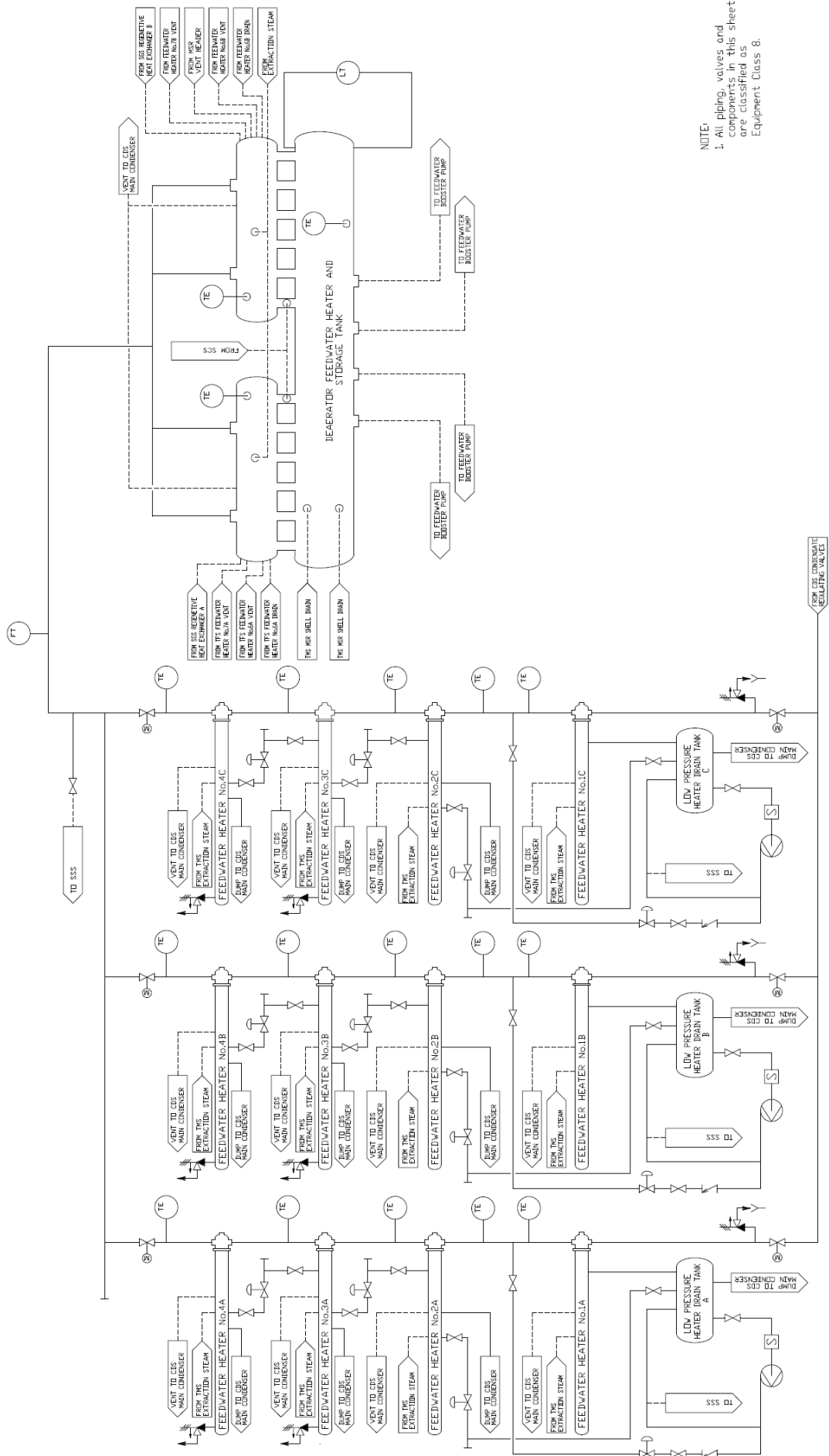


Figure 7-3 Condensate and Feedwater System (Sheet 1)



NOTE:  
 1. All piping, valves and components in this sheet are classified as Equipment Class 8.

Figure 7-3 Condensate and Feedwater System (Sheet 2)

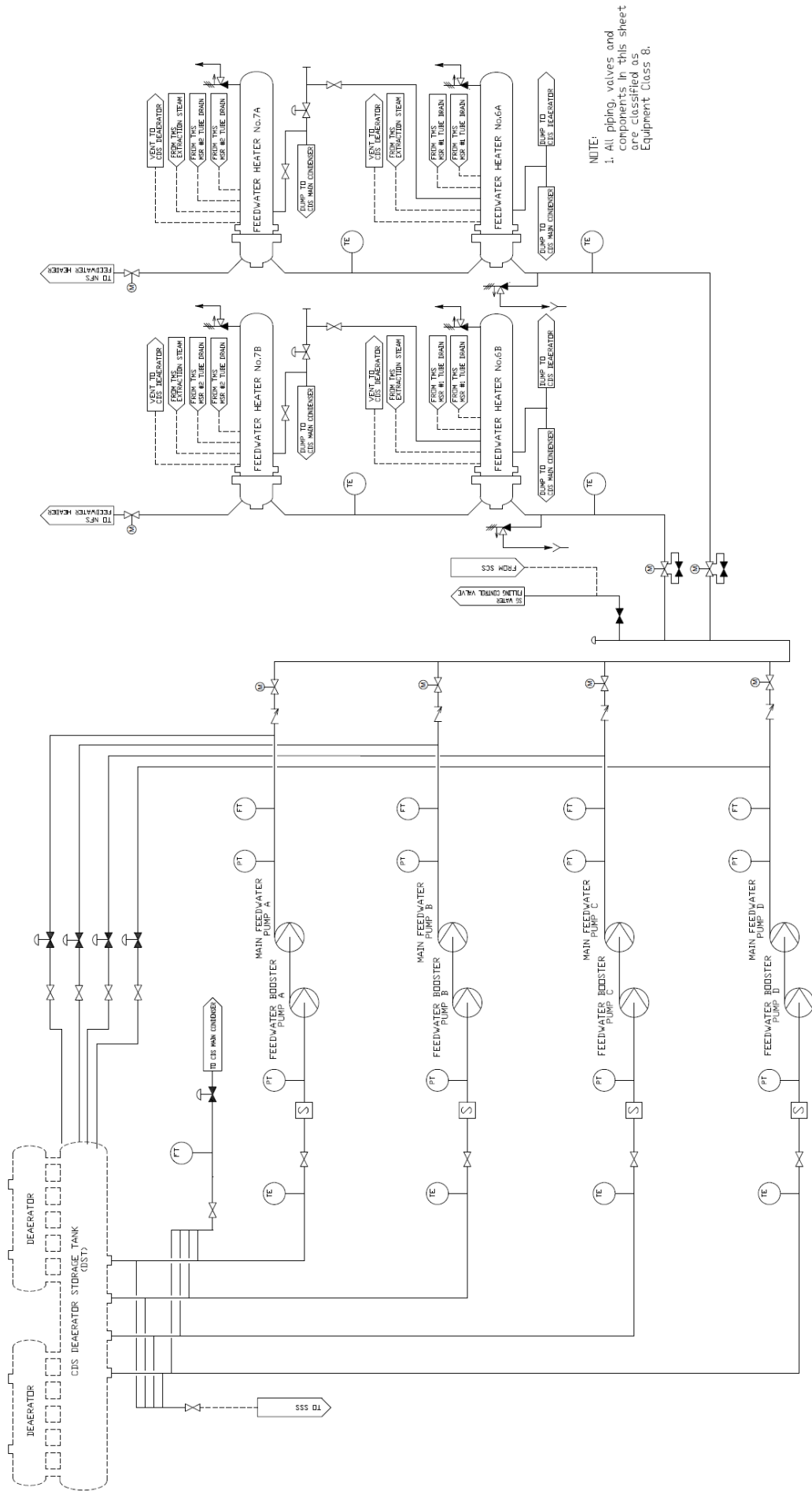


Figure 7-3 Condensate and Feedwater System (Sheet 3)

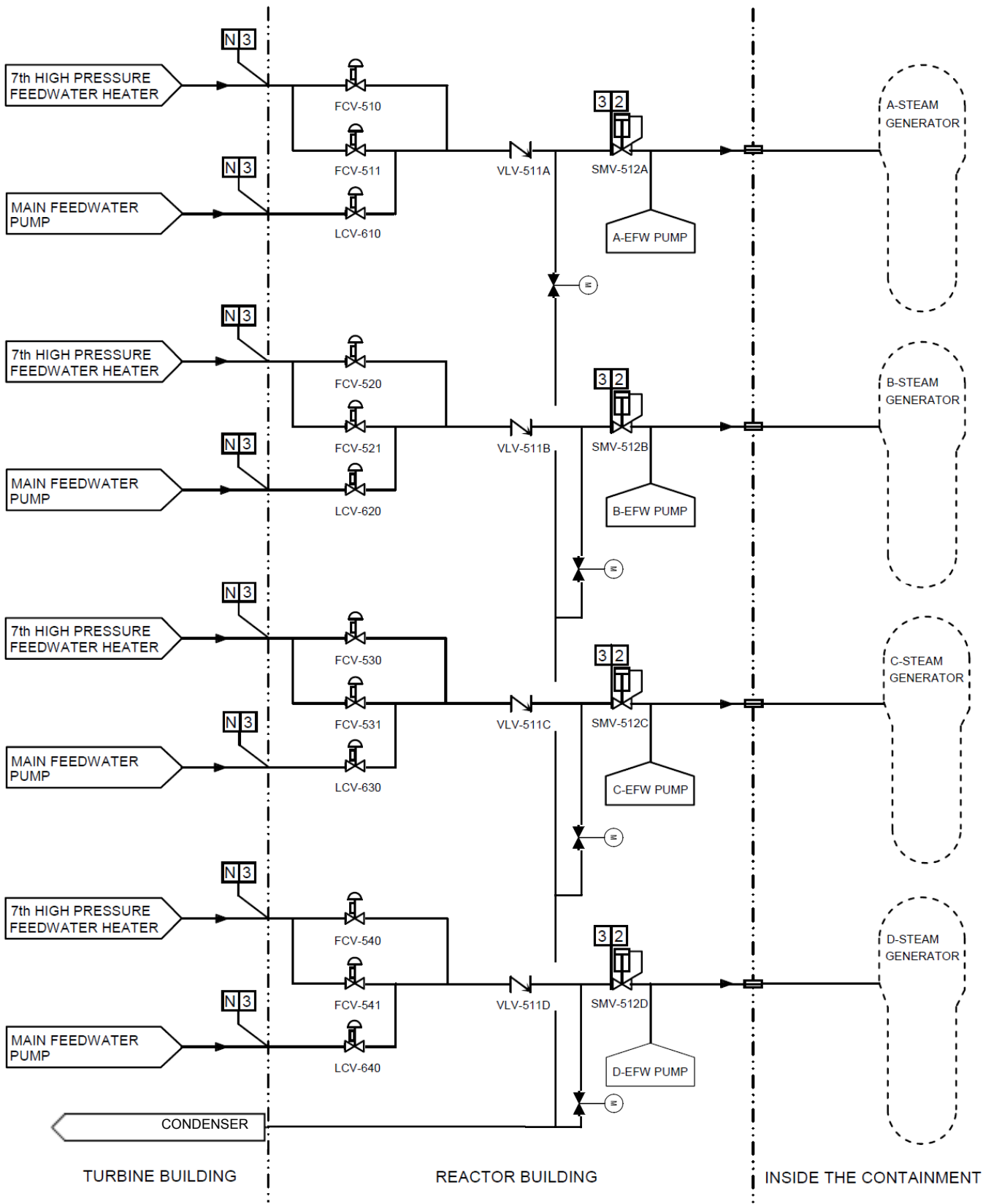
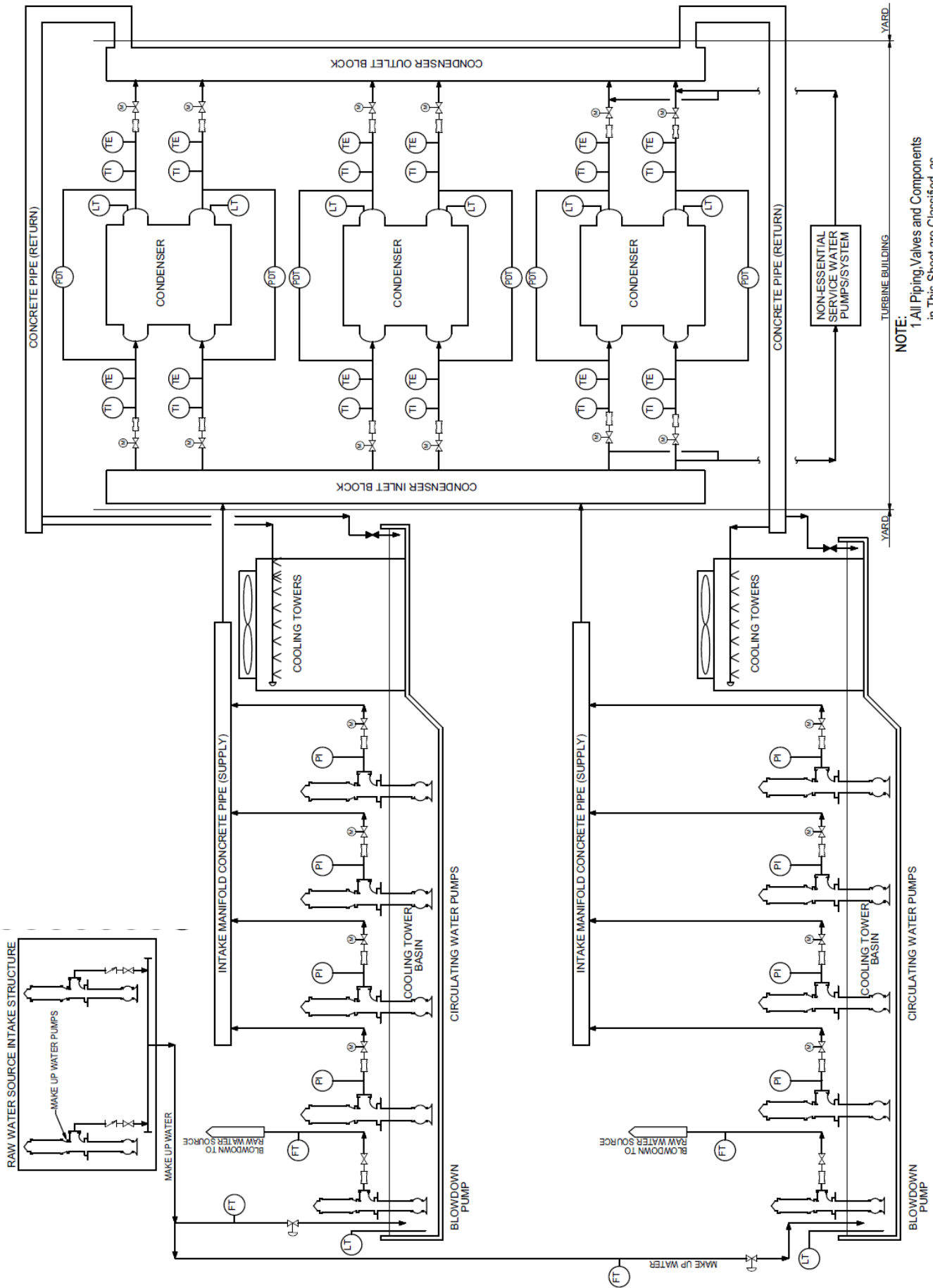


Figure 7-3 Condensate and Feedwater System (Sheet 4)





**NOTE:**  
 1. All Piping, Valves and Components  
 in This Sheet are Classified as  
 Equipment Class 9

Figure 7-4 Condenser Circulating Water System

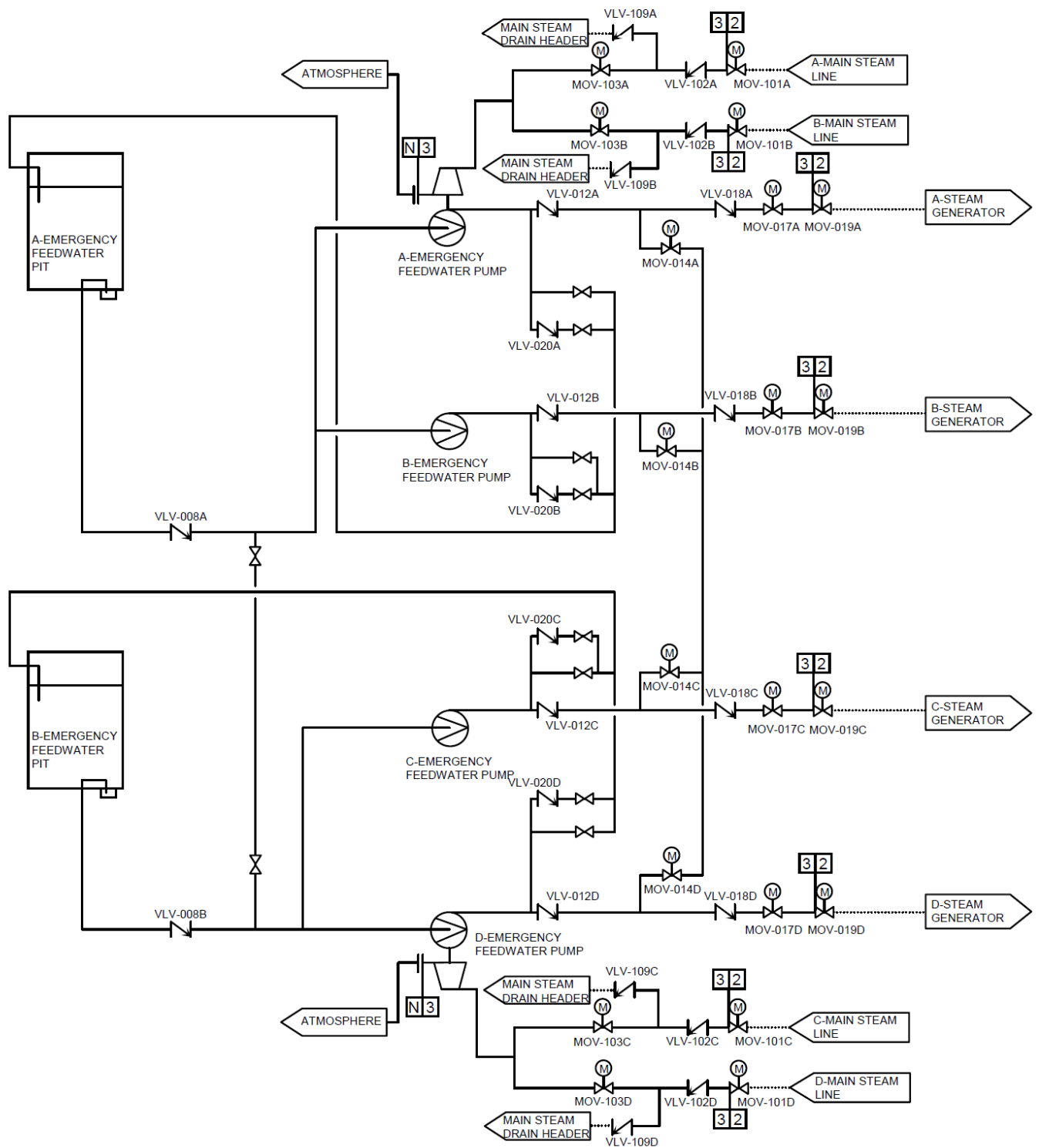


Figure 7-5 Emergency Feedwater System