



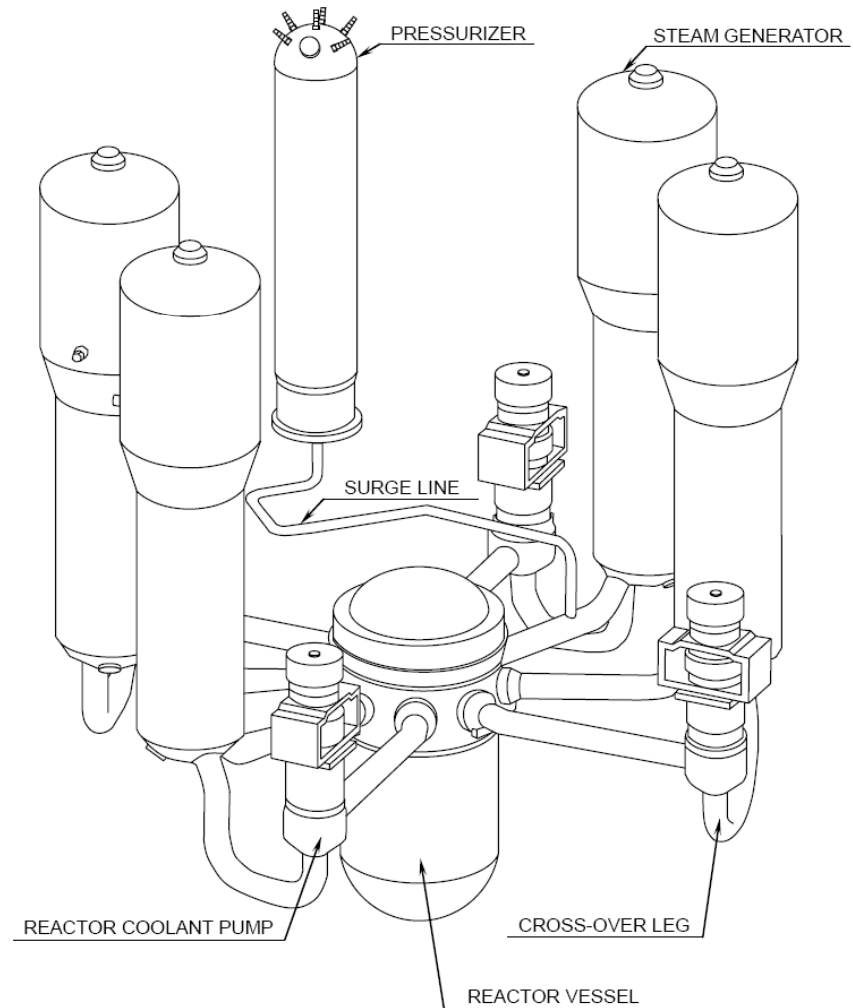
U.S. NRC

United States Nuclear Regulatory Commission

Protecting People and the Environment

Reactor Coolant System

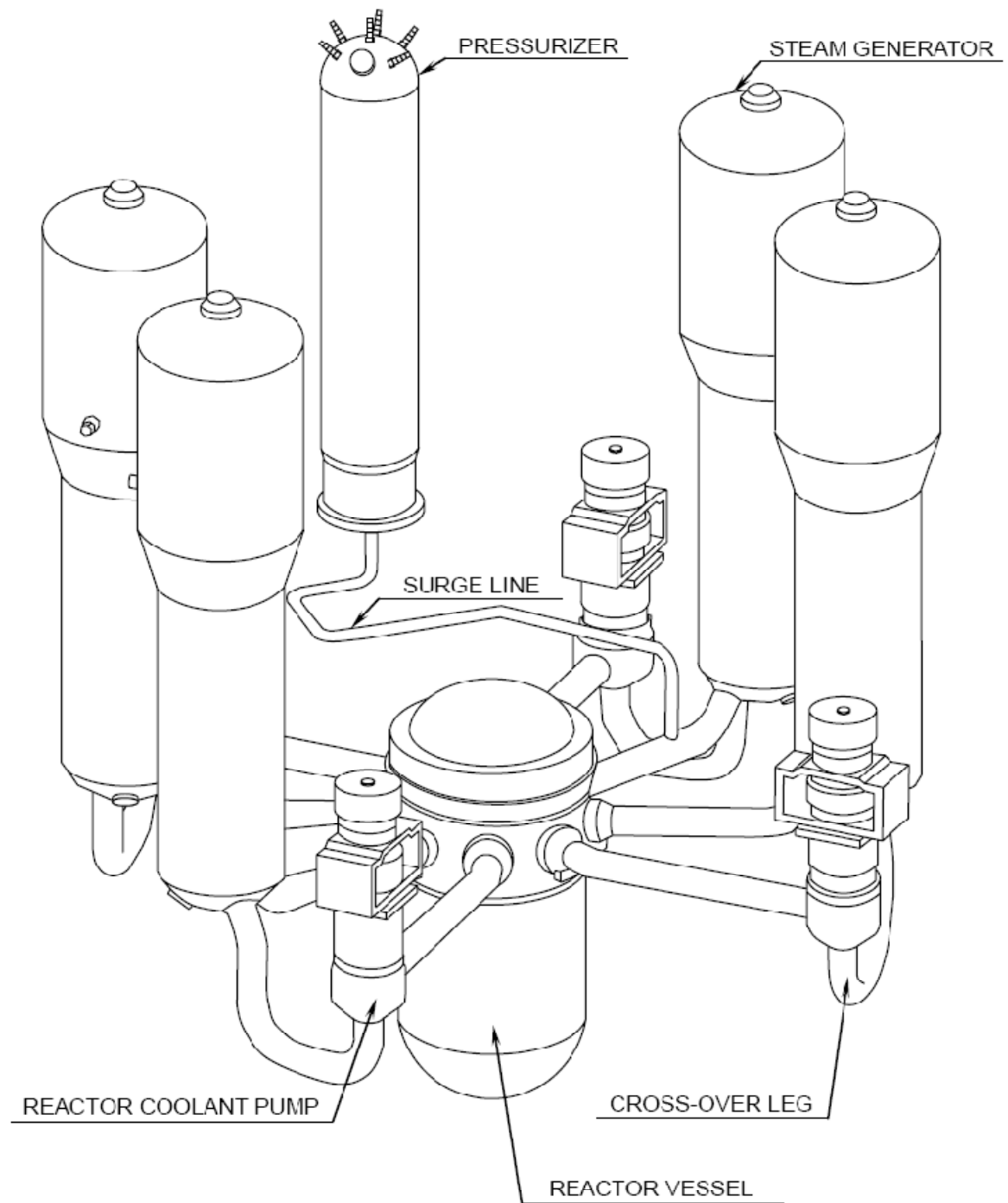
US-APWR Technology Chapter 3.0



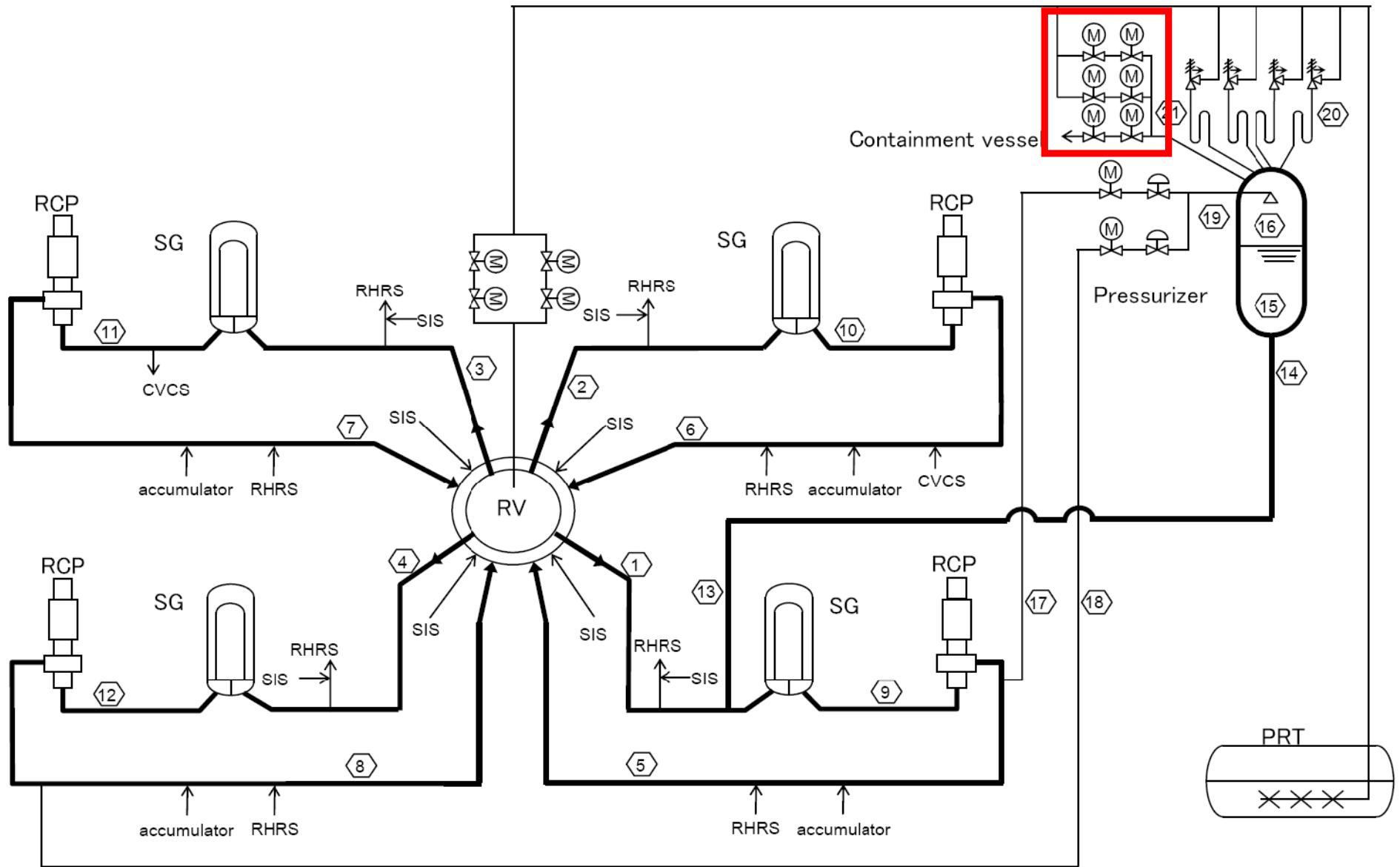
Objectives

- 1. Describe the arrangement of the reactor coolant system for the US-APWR design.**
- 2. Describe the major differences between the reactor coolant system design of the US-APWR and those of currently operating PWRs.**

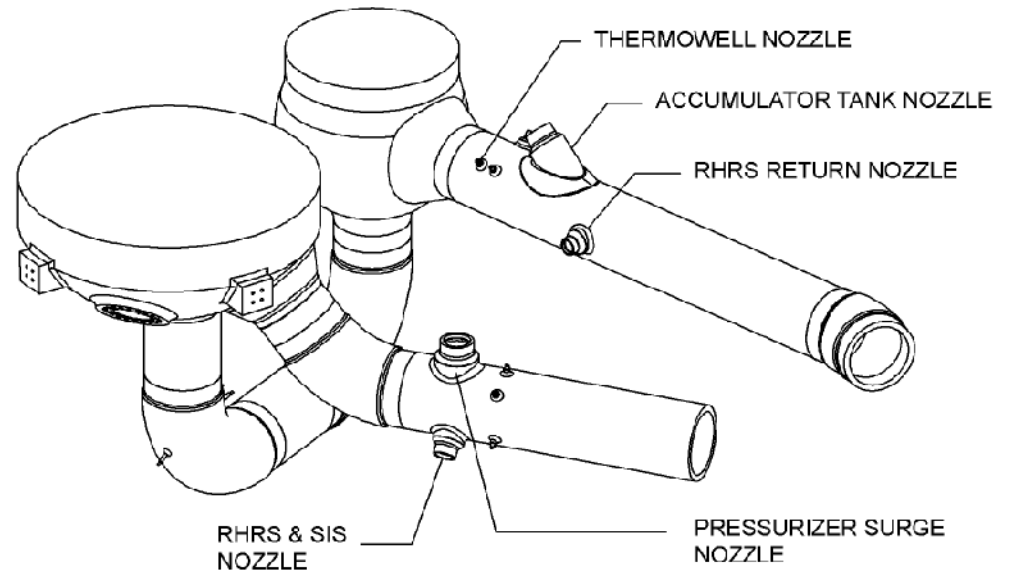
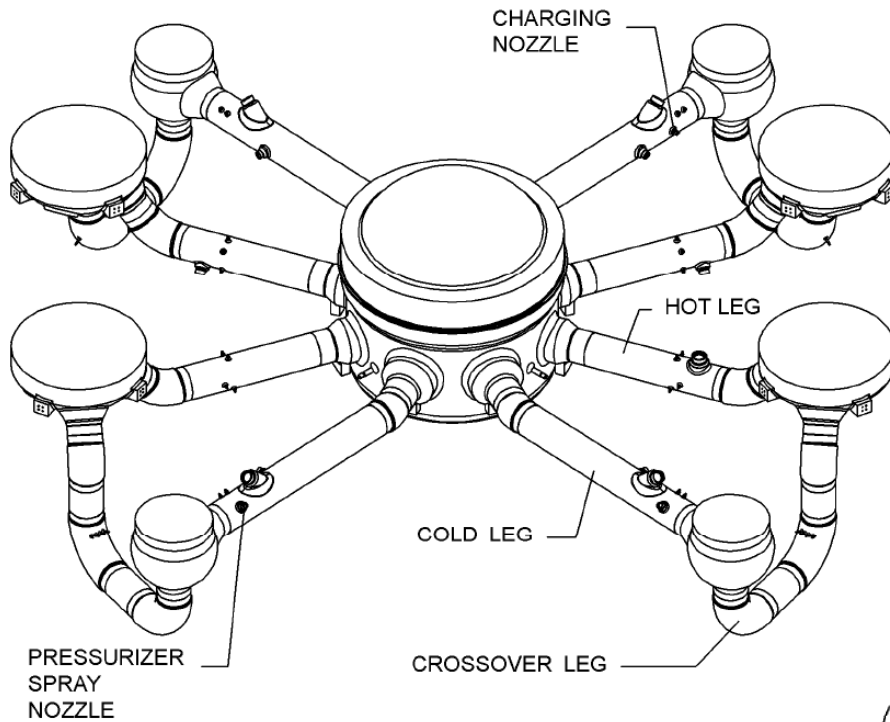
Isometric Fig. 3-3



RCS – Fig. 3-1

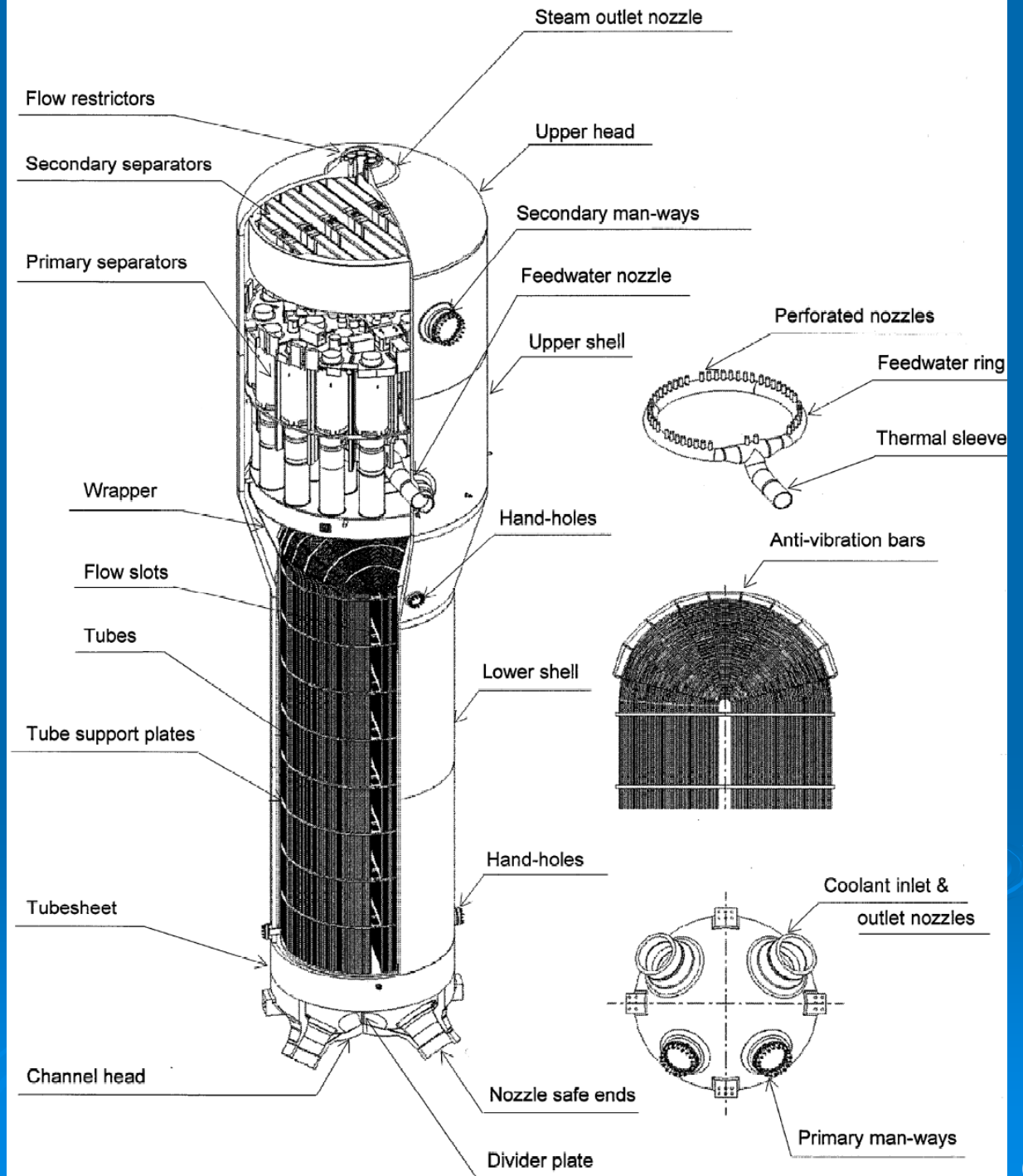


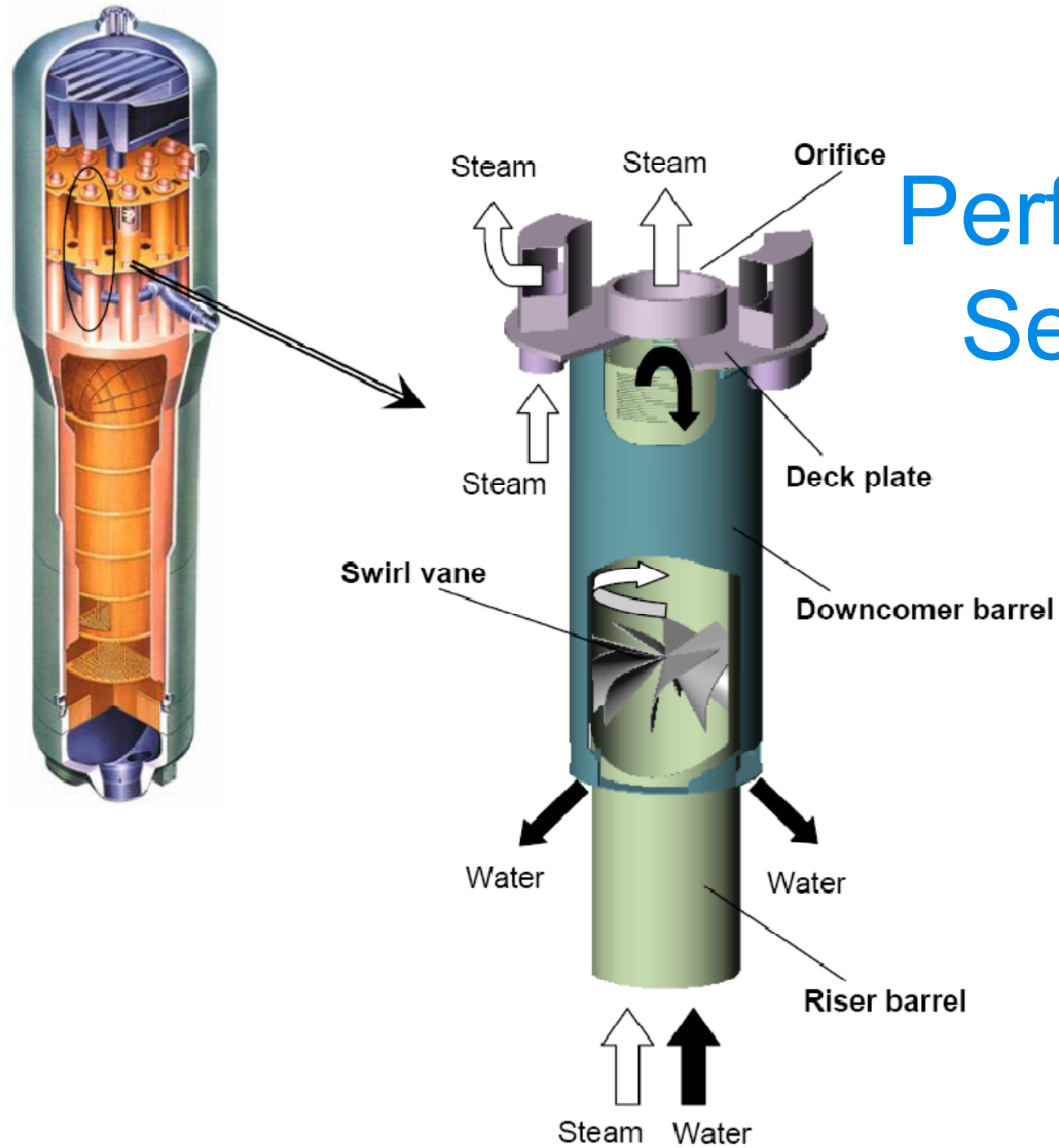
Piping – Fig. 3-4



Steam Generator

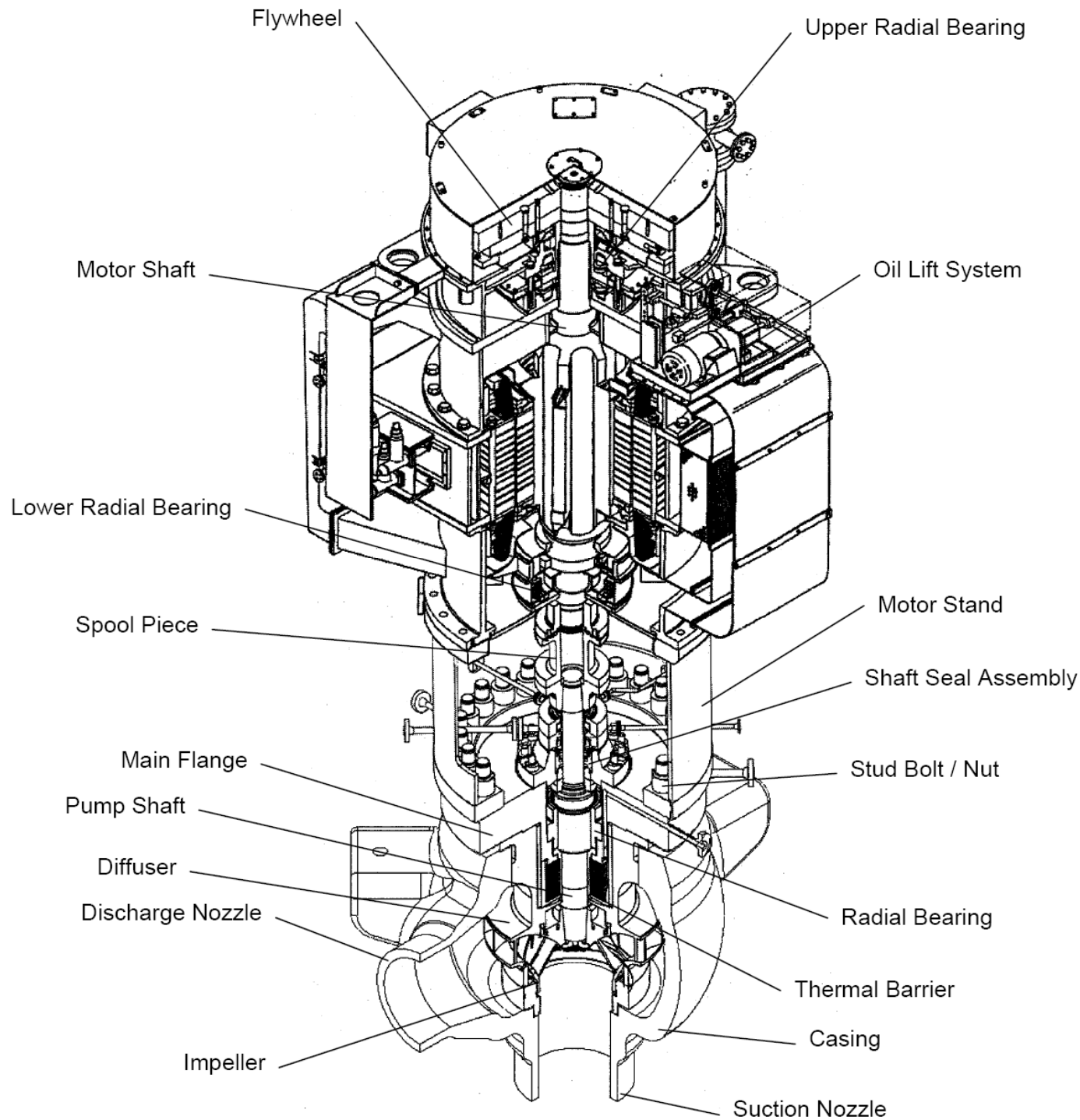
Fig. 3-5





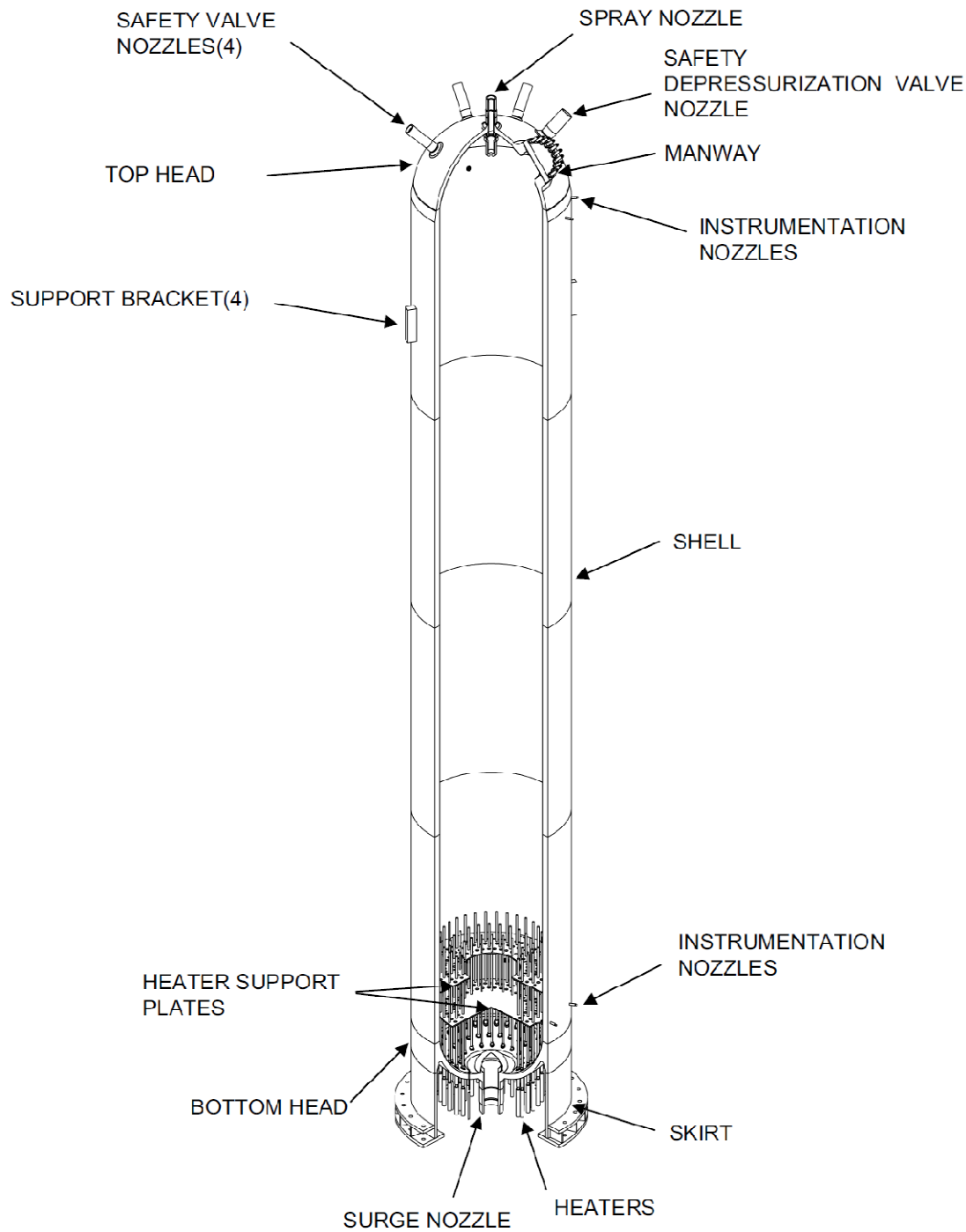
High Performance Separator

Fig. 3-6



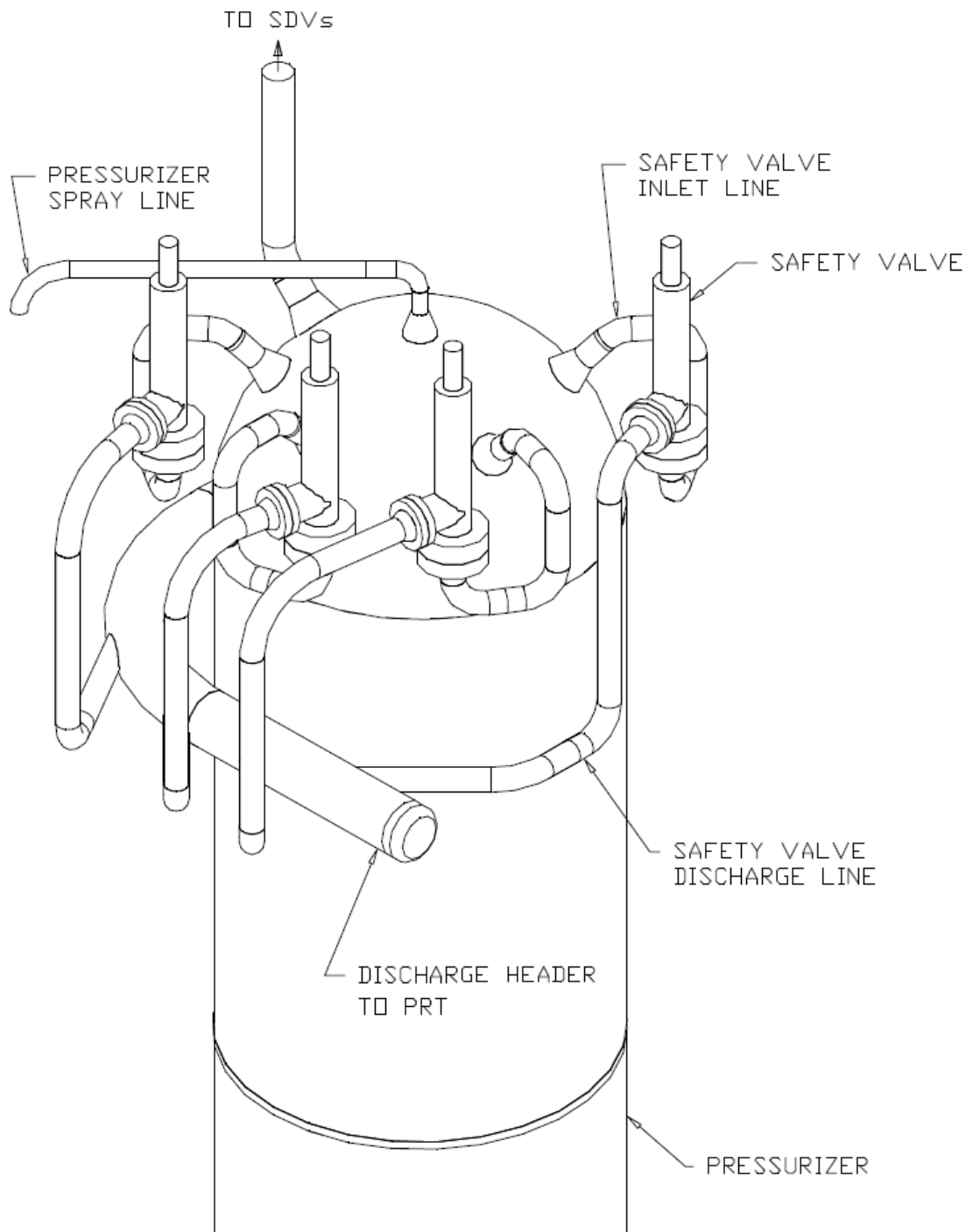
RCP

Fig. 3-7



Pressurizer

Fig. 3-8



PZR Relief Valve Mounting

Fig. 3-9

4 code safety relief valves

2 safety depressurization lines

1 (severe-accident) depressurization line

PRT – Fig. 3-10

