

PMComanchePeakPEm Resource

From: Woodlan, Don [Donald.Woodlan@luminant.com]
Sent: Tuesday, August 02, 2011 12:33 PM
To: Otto, Ngola
Cc: Monarque, Stephen; Conly, John; ComanchePeakCOL Resource; Evans, Todd; Bird, Bobby; nicholas_kellenberger@mnes-us.com; 'tapia_joseph@mnes-us.com'; russell_bywater@mnes-us.com
Subject: 2011-08-02 Woodlan, Comanche Peak Chapter 8 - Draft ACRS Presentation
Attachments: 2011-08-02 DRAFT R-COLA Chapter 8 ACRS (Luminant) Slides.pptx

Ngola,

Attached is our draft presentation for ACRS. Todd Evans has the lead to develop the slides and will be making the presentation for us.

Please let us know if you see any conflicts or unnecessary overlap with your presentation. We plan to submit our final slides to ACRS one week before the briefing.

Donald R. Woodlan

Manager, Nuclear Regulatory Affairs

Luminant Power

O- 254-897-6887 C- 214-542-7761

Confidentiality Notice: This email message, including any attachments, contains or may contain confidential information intended only for the addressee. If you are not an intended recipient of this message, be advised that any reading, dissemination, forwarding, printing, copying or other use of this message or its attachments is strictly prohibited. If you have received this message in error, please notify the sender immediately by reply message and delete this email message and any attachments from your system.

Hearing Identifier: ComanchePeak_COL_Public
Email Number: 1454

Mail Envelope Properties (A34507C196705B44B7F8F0B1BFE80AAE07D91D0B1A)

Subject: 2011-08-02 Woodlan, Comanche Peak Chapter 8 - Draft ACRS Presentation
Sent Date: 8/2/2011 12:32:50 PM
Received Date: 8/2/2011 12:32:59 PM
From: Woodlan, Don

Created By: Donald.Woodlan@luminant.com

Recipients:

"Monarque, Stephen" <Stephen.Monarque@nrc.gov>
Tracking Status: None
"Conly, John" <John.Conly@luminant.com>
Tracking Status: None
"ComanchePeakCOL Resource" <ComanchePeakCOL.Resource@nrc.gov>
Tracking Status: None
"Evans, Todd" <Eric.Evans@luminant.com>
Tracking Status: None
"Bird, Bobby" <Robert.Bird@luminant.com>
Tracking Status: None
"nicholas_kellenberger@mnes-us.com" <nicholas_kellenberger@mnes-us.com>
Tracking Status: None
"tapia_joseph@mnes-us.com" <tapia_joseph@mnes-us.com>
Tracking Status: None
"russell_bywater@mnes-us.com" <russell_bywater@mnes-us.com>
Tracking Status: None
"Otto, Ngola" <Ngola.Otto@nrc.gov>
Tracking Status: None

Post Office: MDCEXMB02.tceh.net

Files	Size	Date & Time	
MESSAGE	972	8/2/2011 12:32:59 PM	
2011-08-02 DRAFT R-COLA Chapter 8 ACRS (Luminant) Slides.pptx			1642816

Options

Priority: Standard
Return Notification: No
Reply Requested: No
Sensitivity: Normal
Expiration Date:
Recipients Received:



Luminant



LUMINANT GENERATION COMPANY

Comanche Peak Nuclear Power Plant, Units 3 and 4

ACRS, US-APWR Subcommittee



FSAR Chapter 8 – Electric Power

August 17, 2011



Luminant



Agenda – FSAR Chapter 8, Electric Power

- Introduction**

- Subsection by Subsection Discussion**
 - FSAR Summary – Site Specific Design, COL Items, Departures**

 - SER Summary – Open Items, Confirmatory Items, Proposed License Conditions**

- Summary**



Luminant



Introduction

- ❑ R-COLA authored using “Incorporated by Reference” methodology**
- ❑ CPNPP COLA FSAR Chapter 8 takes no departures from the US-APWR DCD**
- ❑ All site-specific SER Open Items have been addressed**
- ❑ All site-specific Confirmatory Items have been addressed and are in FSAR Revision 2 submitted in June 2011**
- ❑ COLA Revision 3 is scheduled for June 2012**
- ❑ No contentions pending before ASLB**



8.1 Introduction

□ CPNPP COLA FSAR Summary

- US-APWR DCD Incorporated by Reference
- No departures or supplements
- No COL Information Items

□ NRC SER Summary

- 1 site-specific SER Open Item (08.01-1) related to effects of shared electrical equipment between plants on safe shutdown
- No Confirmatory Items
- No proposed License Conditions



Luminant



08.01-1 Sharing of SSCs (Open Item)

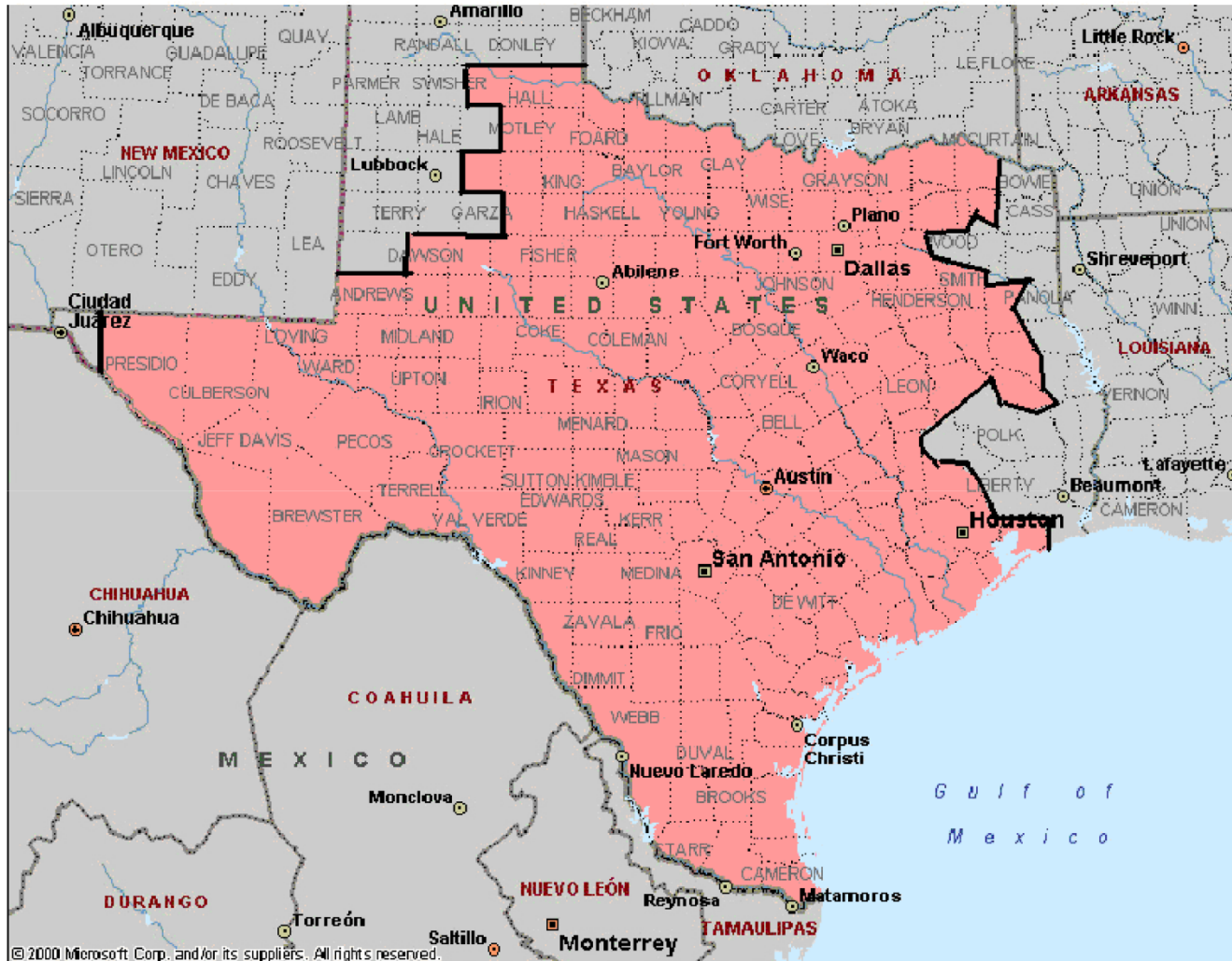
- ❑ **Open Item 08.01-1 related to CP RAI 9 (RAI 2576) Question 08.01-2**
 - **“However, the applicant has not demonstrated whether or not the SSCs important to safety that are shared among nuclear power units will not significantly impair their ability to perform their safety functions, including an accident in one unit, and orderly shutdown and cooldown of the remaining units.”**
 - **RAI 9 was supplemented on August 8, 2011 to address this Open Item. The supplement notes that the switching station equipment shared between Unit 3 and 4 has the capacity and is configured such that sharing will not significantly impair the ability to provide offsite power in response to an accident in one unit, and an orderly shutdown and cooldown of the remaining unit.**



Luminant



8.2 Offsite Power System

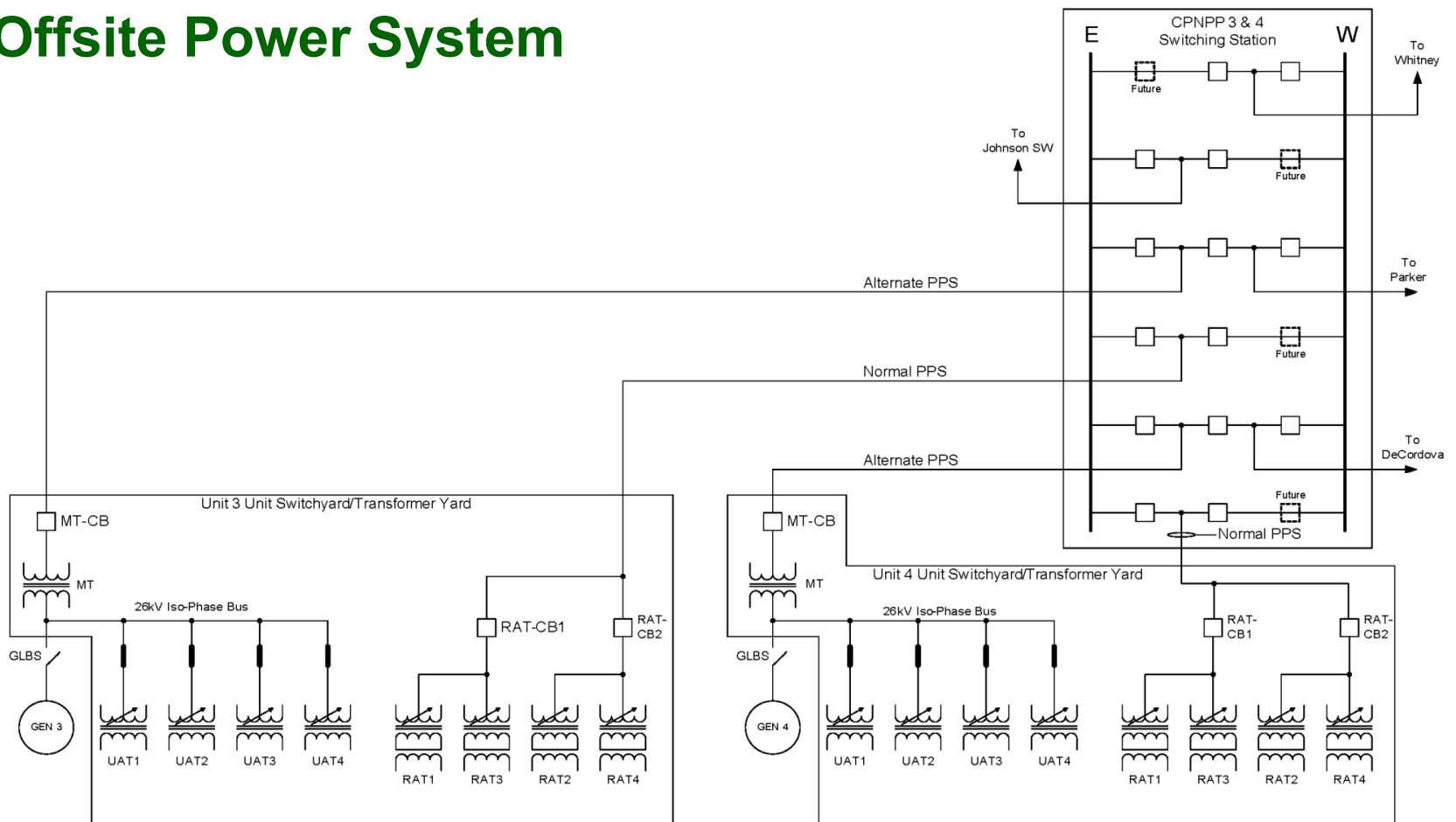




Luminant



8.2 Offsite Power System





Luminant



8.2 Offsite Power System

□ CPNPP COLA FSAR Summary

- US-APWR DCD Incorporated by Reference
- No departures
- Nine COL Information Items

□ NRC SER Summary

- 1 SER Open Item (08.02-1) related to anti-motoring time delay
- Three Confirmatory Items
- No proposed License Conditions



Luminant



08.02-1 Anti-motoring time delay (Open Item)

- ❑ **Open Item 08.02-1, related to CP RAI 182 (RAI 5116) Question 08.02-30 and DCD RAI 687 (RAI 5394) Question 15.0.0-24**
 - **“Inconsistency between the DCD chapter 15 language related to anti-monitoring protective relaying for main generator output breaker.”**
 - **The Staff is working on resolution with the DCD applicant, once a resolution is reached, Luminant will either confirm or revise its response to question 08.02-30.**



Luminant



8.3 Onsite Power Systems

- ❑ **CPNPP COLA FSAR Summary**
 - **US-APWR DCD Incorporated by Reference**
 - **No departures**
 - **Seven COL Information Items**

- ❑ **NRC SER Summary**
 - **No SER Open Items**
 - **One Confirmatory Item**
 - **No proposed License Conditions**



Luminant



8.4 Station Blackout

- ❑ **CPNPP COLA FSAR Summary**
 - **US-APWR DCD Incorporated by Reference**
 - **No departures**
 - **No COL Information Items**

- ❑ **NRC SER Summary**
 - **No SER Open Items**
 - **One Confirmatory Item**
 - **No proposed License Conditions**



Luminant



Summary

- ❑ **COL Information Items are addressed in FSAR Chapter 8**
- ❑ **No departures**
- ❑ **All site-specific SER Open Items have been addressed**
- ❑ **All RAI responses associated with site-specific confirmatory items were addressed in COLA Revision 2**
- ❑ **No proposed license conditions**



Luminant



Acronyms

- ❑ **ACRS** **Advisory Committee on Reactor Safeguards**
- ❑ **ASLB** **Atomic Safety and Licensing Board**
- ❑ **COL** **Combined license**
- ❑ **COLA** **COL application**
- ❑ **CPNPP** **Comanche Peak Nuclear Power Plant**
- ❑ **DCD** **Design control document**
- ❑ **FSAR** **Final Safety Analysis Report**
- ❑ **LC** **License condition**
- ❑ **OI** **Open item**
- ❑ **RAI** **Request for Additional Information**
- ❑ **R-COLA** **Reference COLA**
- ❑ **SER** **Safety Evaluation Report**