

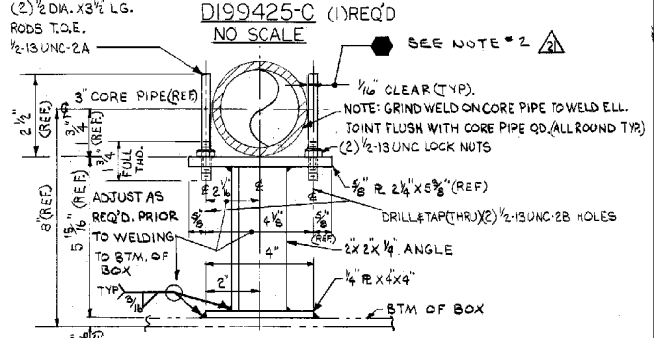
ORIGINAL DRAWING MADE ON DU PONT POLYESTER FILM

ANALYZE FOR SAFETY, ECOLOGY, AND MINIMUM ESSENTIAL DESIGN

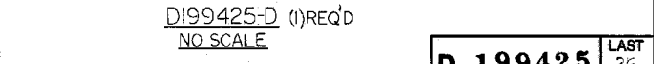
SECTION A-A
(SEE D19942-A)
VALVE BOX
APPROX. WT. 8000 LBS.

SECTION B-B
(SEE D199421-A)

14. CORE PIPE
FIXED PIPE ANCHOR



15. CORE PIPE
FREE SUPPORT GUIDE



D 199425 LAST REV. 26

- GENERAL NOTES:**
- FOR MATERIALS, STANDARDS, SPECS, REF. DWGS. AND GENERAL NOTES SEE W816375 AND D199421.
 - CONSTRUCTION VERIFICATION REQUIRED AS PER DESIGN PROCEDURE PROJECT 953291.

M/F TYPE **D 199425** LAST REV. 26

SAVANNAH RIVER PLANT
BLDG 241F W328 F AREA
SALT REMOVAL TYPE III PHI
SINGLE VALVE VALVE BOX
PROCESS DETAILS SH 5

THIS DOCUMENT CONTAINS INFORMATION RELATING TO ACTIVITIES OF THE U.S. DEPARTMENT OF ENERGY. NOT TO BE REPRODUCED OR RELEASED WITHOUT PRIOR APPROVAL.

PROJ. NO.	REVISION	RVSD	CHKD	APPD	DATE	PROJ. NO.	REVISION	RVSD	CHKD	APPD	DATE	PROJ. NO.	REVISION	RVSD	CHKD	APPD	DATE	DWGS	STDS	TOLERANCES ON ALL DIMENSIONS, UNLESS OTHERWISE NOTED, TO BE:	PROJECT	SCALE	DATE
953291	26	WAS	N18250	(M/L)	9/6/95	953291	26	WAS	N18250	(M/L)	9/6/95	953291	1	WAS	PROJ. 264031	A	WAS	5"	W816375	DECIMALS:	PROJECT 953291	3/16" = 1/16"	DATE 9-28-86
																				ANGLES ± 0°30'	DRAWN I. McMILLAN	DATE 9-28-86	
																				FRACTIONS ± 1/16"	CHECKED J. RILEY	DATE 9-28-86	
																					APPROVED [Signature]	DATE 10/10/86	
																					I.C. [Signature]	DATE 11/11/86	
																					FINAL [Signature]	DATE 12/23/86	
																					E. I. DU PONT DE NEMOURS & CO., INC. WILMINGTON, DELAWARE ENGINEERING DEPARTMENT D 199425		