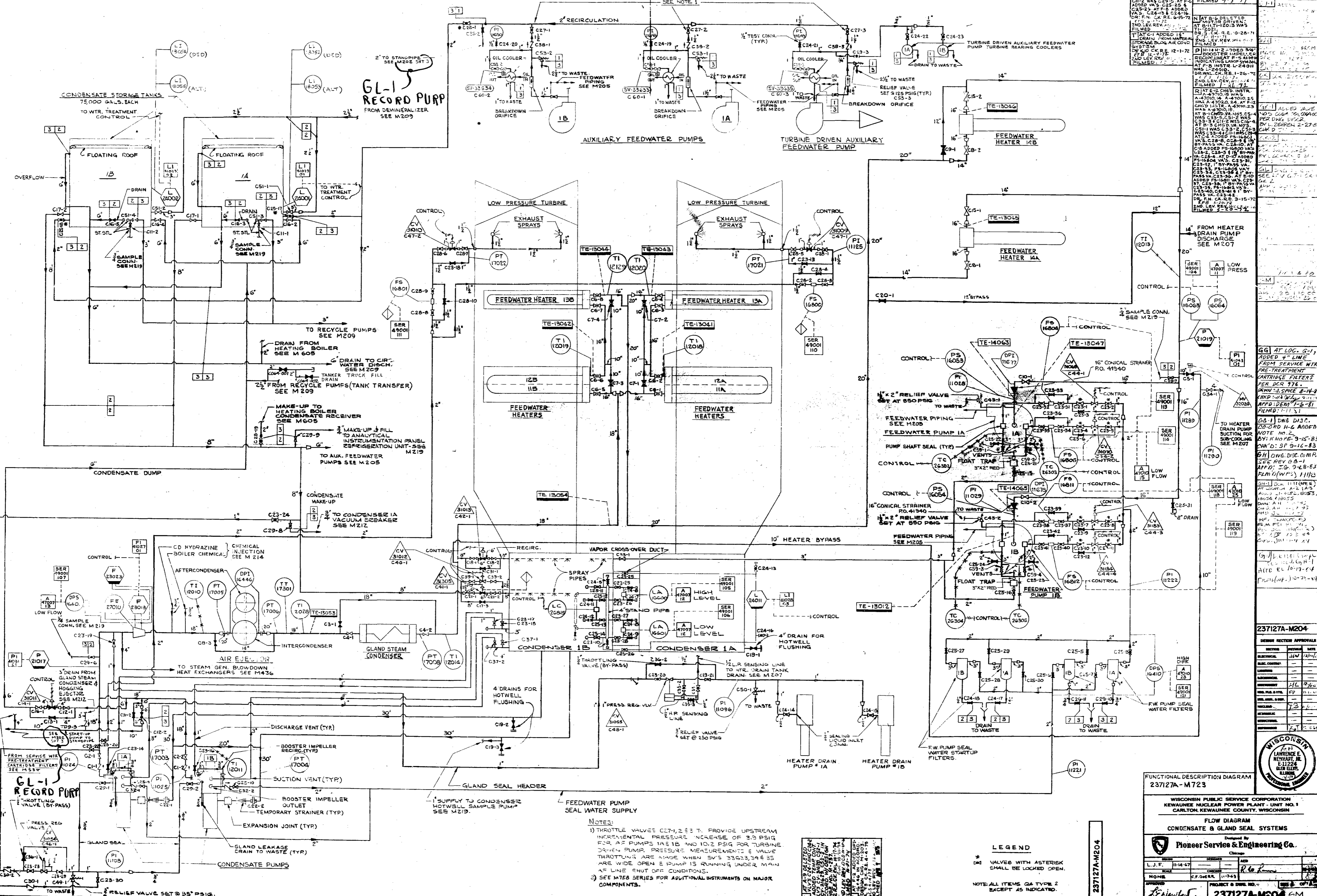


NO.	DESCRIPTION	DATE	BY	CHKD.
1	AS SHOWN			
2	REVISIONS			



GG AT LOC. G-1 ADDED 4" LINE FROM SERVICE WTR. PRE-TREATMENT CARTRIDGE FILTERS PER DCR 77E. REVISED 8-14-83. APP'D: DEM. T-6-R. FILED: 1-11-83.

GA-1 DWG D13. CD-04D H-6 ADDED SUCTON FOR SUB-COOLING SEE REV 28-1. BY: KMOFF-9-15-82. CW'D: SF 9-16-83.

GH DWG. DISC. COMP. SEE REV 28-1. ADD. 1" SUCTON. 18053. 18054. 18055. DWN. A.H. 11-15-82. HNS. CHANGED. PER. 12-2-84. 237127A-M204.

GL-1 RECORD PUMP
 FROM SERVICE WTR. PRE-TREATMENT CARTRIDGE FILTERS SEE M 537.

GL-1 RECORD PUMP
 FROM DEMINERALIZER SEE M 209.

GL-1 RECORD PUMP
 FROM HEATING BOILER SEE M 605.

GL-1 RECORD PUMP
 FROM RECYCLE PUMPS (TANK TRANSFER) SEE M 209.

GL-1 RECORD PUMP
 MAKE-UP TO HEATING BOILER CONDENSATE RECEIVER SEE M 605.

GL-1 RECORD PUMP
 MAKE-UP & FILL TO ANALYTICAL INSTRUMENTATION PANEL REFRIGERATION UNIT. SEE M 219.

GL-1 RECORD PUMP
 TO AUX. FEEDWATER PUMPS SEE M 205.

GL-1 RECORD PUMP
 TO CONDENSER IA VACUUM BREAKER SEE M 212.

NOTES:

- 1) THROTTLE VALVES C27-1, 2 & 3 PROVIDE UPSTREAM INCREMENTAL PRESSURE INCREASE OF 3.3 PSIG FOR AF PUMPS 1A & 1B AND 10.2 PSIG FOR TURBINE DRIVEN PUMP. PRESSURE MEASUREMENTS & VALVE THROTTLING ARE MADE WHEN SV'S 33633, 34635 ARE WIDE OPEN & PUMP IS RUNNING UNDER MAIN AF LINE SHUT OFF CONDITIONS.
- 2) SEE M 758 SERIES FOR ADDITIONAL INSTRUMENTS ON MAJOR COMPONENTS.

LEGEND

* VALVES WITH ASTERISK SHALL BE LOCKED OPEN.

NOTE ALL ITEMS QA TYPE 2 EXCEPT AS INDICATED.

SECTION	DATE	BY	CHKD.
FUNCTIONAL DESCRIPTION DIAGRAM	237127A-M723		
DESIGN SECTION APPROVALS			
DESIGNER			
CHECKED			
APPROVED			
DATE			

WISCONSIN PUBLIC SERVICE CORPORATION
KEWAUNEE NUCLEAR POWER PLANT - UNIT NO. 1
CARLTON, KEWAUNEE COUNTY, WISCONSIN

FLOW DIAGRAM
CONDENSATE & GLAND SEAL SYSTEMS

Designed by **Pioneer Service & Engineering Co.**
 Chicago

L. J. F. 11-14-67
 NONE C.F. OAKER 11-7-63

237127A-M204 GM

APERTURE CARD 8802100119