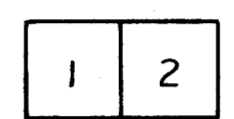
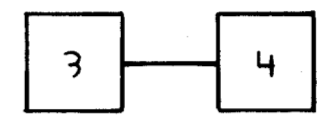


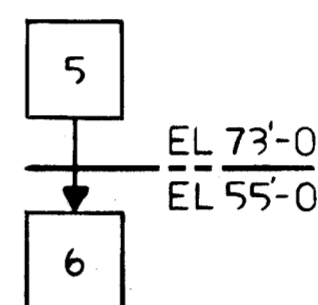
LEGEND



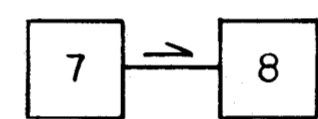
ONE FLOOD AREA  
CONNECTED FIRE ZONES WITH  
NO CURBS BETWEEN. ALSO, SAME  
ELEVATION.



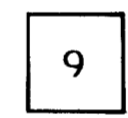
TWO FLOOD AREAS  
SEPARATED FIRE ZONES WITH  
4 INCH CURBS BETWEEN. ALSO,  
SAME ELEVATION.



FLOOD AREAS AT  
DIFFERENT ELEV  
WATER IN ABOVE FIRE ZONE  
FALLS FREELY INTO LOWER  
FIRE ZONE. DIFFERENT ELEVATI  
ONS INVOLVED.



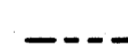
TWO → ONE FLOOD AREA  
ARROW INDICATES DIRECTION  
OF CURB OVERFLOW. THE RESULT  
IS TWO FLOOD AREAS BECOMING  
ONE.



FIRE ZONE  
THE NUMBER INSIDE THE SQUARE  
REPRESENTS THE FIRE ZONE.



PIPE FAILURE  
SHADED FIRE ZONES ARE AREAS  
WHERE PIPE FAILURES ARE  
POSTULATED.



INDICATES FLOOR

PRC  
APERTURE  
CARD

8312060173-01

CAL NO. 5209.029  
SHEET 14 OF 14

5					<b>EBASCO SERVICES INCORPORATED</b> DIV. MECH DR. KEJ CH. ΔF DATE 6-24-83 APPROVED <i>W/Dr. Smith 6/24/83</i> IPR	<b>NEW YORK POWER AUTHORITY</b> <b>INDIAN POINT NO. 3 N.P.P.</b> SYSTEMS INTERACTION STUDY FLOODING ANALYSIS DIAGRAM ATTACHMENT 6-2 SUMMARY	5209.004 SHEET
4							
3							
2							
1							
REV.	DATE	BY	APPROVED				