

REGISTRY OF RADIOACTIVE SELED SOURCES AND DEVICES
SAFETY EVALUATION OF SEALED SOURCE

NO.: NR-0155-S-808-S DATE: May 13, 2011
(Supersedes NR-0155-S-109-S)

PAGE 1 of 2

SOURCE TYPE: Radioluminous Lamp

MODEL: 11730922-1
 11730922-2
 11730922-3

MANUFACTURER / Department of the Army
DISTRIBUTOR: U.S. Army TACOM Life Cycle
 Management Command
 AMSTA-CSC-Z
 (Previously U.S. Army Tank-
 Automotive & Armaments Command)
 6501 E. 11 Mile Rd.
 Warren, MI 48397-5000

ISOTOPE: MAXIMUM ACTIVITY:

Hydrogen-3 0.4 Curie (14.8 GBq) for 11730922-1
 0.45 Curie (16.7 GBq) for 11730922-2
 0.5 Curie (18.5 GBq) for 11730922-3

LEAK TEST As specified in the user's materials
FREQUENCY: license

PRINCIPAL USE: (R) Gas Sources

 For use in the following device model
 numbers:
 M113AI Panoramic Telescope
 M17 Fire Control Quadrant
 M137A1 Panoramic Telescope
 M137 Panoramic Telescope
 M14A1 Fire Control Quadrant
 M18 Fire Control Quadrant
 M187 Mount, Telescope, and Quadrant

CUSTOM SOURCE: X Yes No

CUSTOM USER: U.S. Department of Defense

REGISTRY OF RADIOACTIVE SELED SOURCES AND DEVICES
SAFETY EVALUATION OF SEALED SOURCE

NO.: NR-0155-S-808-S

DATE: May 13, 2011

PAGE 2 of 2

(Supersedes NR-0155-S-109-S)

SOURCE TYPE: Radioluminous Lamp

DIAGRAM:

See Attachments 1 through 7.

REFERENCES:

The following supporting documents for the Model 11730922-1, 11730922-2, and 11730922-3 radioluminous lamp are hereby incorporated by reference and are made a part of this registry document.


- Department of the Army letter dated March 20, 1995, requesting changes to specific certificates, and letters dated January 22, 2001, May 23, 2001, and March 24, 2004, with enclosures thereto.
- Department of the Army email received September 23, 2005, with enclosures thereto.
- Department of the Army facsimile dated December 12, 2005, with enclosures thereto.
- U.S. Department of the Army License No. 12-00722-06.
- Department of the Army letter dated March 2, 2011, with enclosures thereto.

ISSUING AGENCY:

U.S. Nuclear Regulatory Commission

Date: May 13, 2011

Reviewer:


Lymari Sepulveda

Date: May 13, 2011

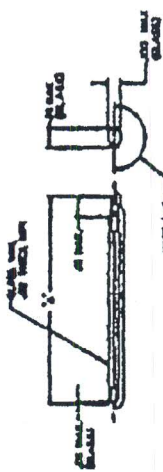
Concurrence:


John P. Jankovich

REGISTRY OF RADIOACTIVE SEALED SOURCES AND DEVICES
SAFETY EVALUATION OF SEALED SOURCE

NO.: NR-0155-S-808-S DATE: May 13, 2011
(Supersedes NR-0155-S-109-S)

ATTACHMENT 1 OF 7

<p>1. SOURCE IDENTIFICATION</p> <p>2. SOURCE DESCRIPTION</p> <p>3. SOURCE HISTORY</p> <p>4. SOURCE LOCATION</p> <p>5. SOURCE STATUS</p>	<p>6. SOURCE DESIGNATION</p> <p>7. SOURCE MODEL</p> <p>8. SOURCE SERIAL</p> <p>9. SOURCE DATE</p> <p>10. SOURCE TYPE</p> <p>11. SOURCE MATERIAL</p> <p>12. SOURCE ACTIVITY</p> <p>13. SOURCE DURATION</p> <p>14. SOURCE USE</p> <p>15. SOURCE NOTES</p>	<p>16. SOURCE DRAWING</p> 	<p>17. SOURCE LIST</p> <p>18. SOURCE TABLE</p> <p>19. SOURCE DATA</p> <p>20. SOURCE SUMMARY</p> <p>21. SOURCE CONCLUSION</p> <p>22. SOURCE SIGNATURE</p> <p>23. SOURCE DATE</p>
---	---	--	---

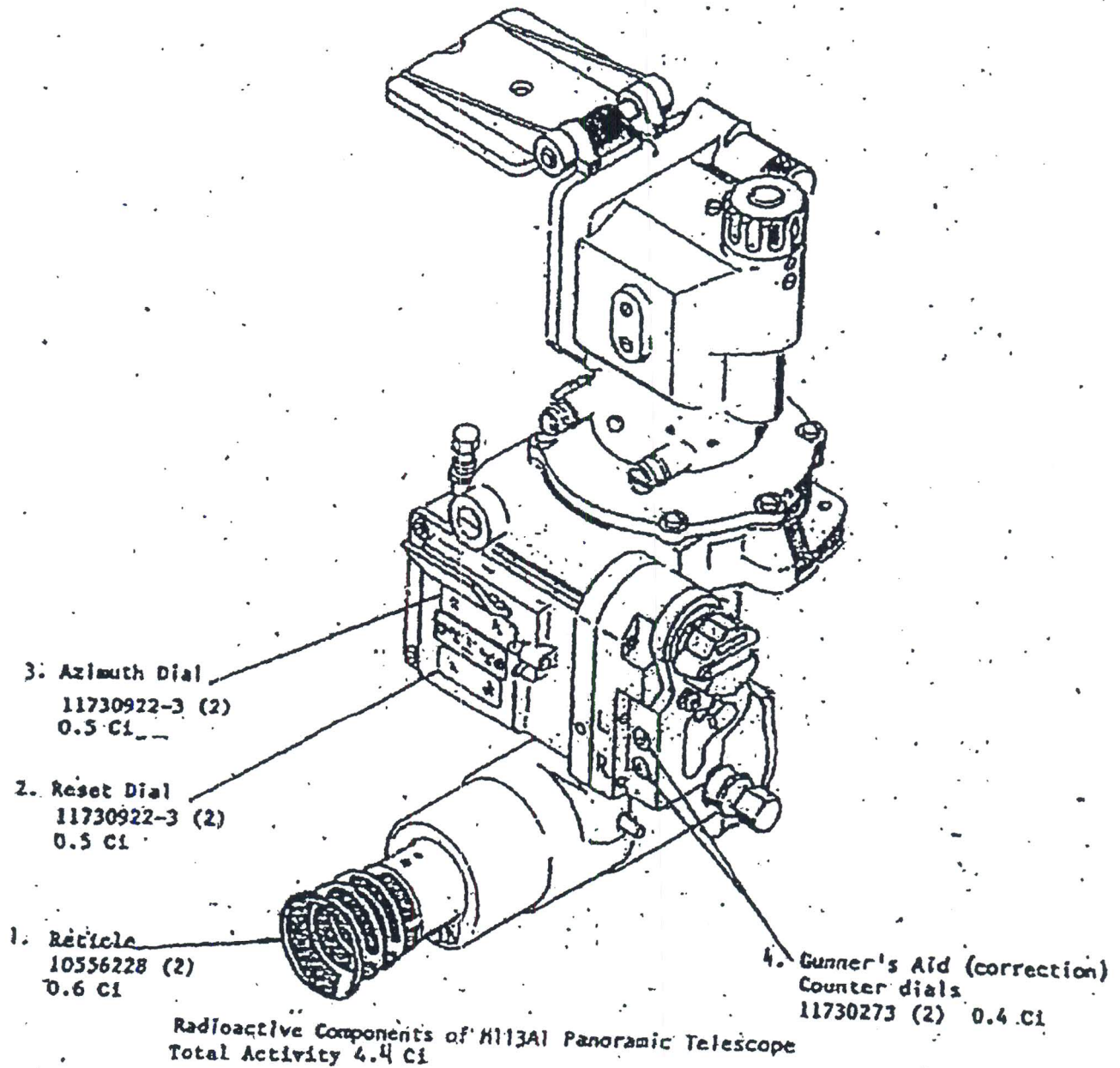
SOURCE USED ON:

- M13A1 TELESCOPE, PANORAMIC
- M137 TELESCOPE, PANORAMIC
- M137A1 TELESCOPE, PANORAMIC
- M14A1 QUADRANT, FIRE CONTROL
- M17 QUADRANT, FIRE CONTROL
- M18 QUADRANT, FIRE CONTROL
- M187 MOUNT, TELESCOPE

REGISTRY OF RADIOACTIVE SEALED SOURCES AND DEVICES
SAFETY EVALUATION OF SEALED SOURCE

NO.: NR-0155-S-808-S DATE: May 13, 2011
(Supersedes NR-0155-S-109-S)

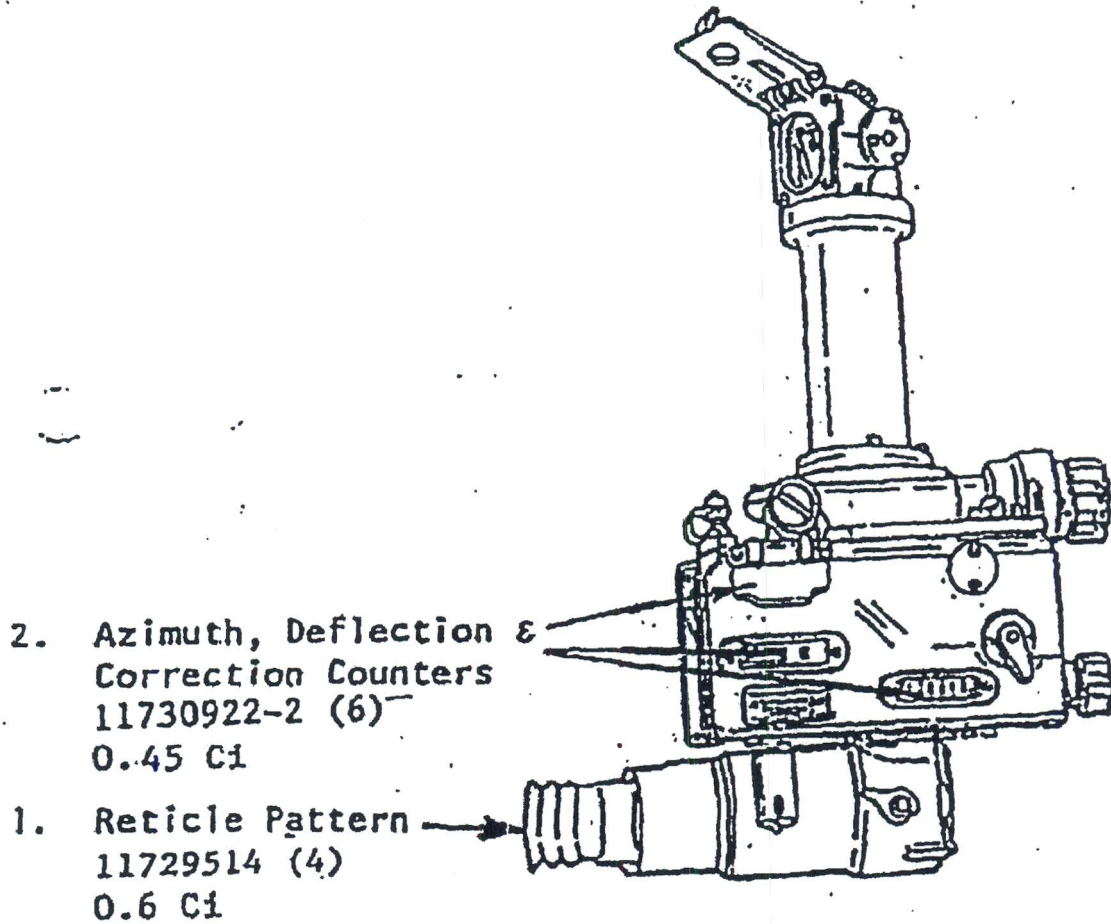
ATTACHMENT 2 OF 7



REGISTRY OF RADIOACTIVE SEALED SOURCES AND DEVICES
SAFETY EVALUATION OF SEALED SOURCE

NO.: NR-0155-S-808-S DATE: May 13, 2011
(Supersedes NR-0155-S-109-S)

ATTACHMENT 3 OF 7

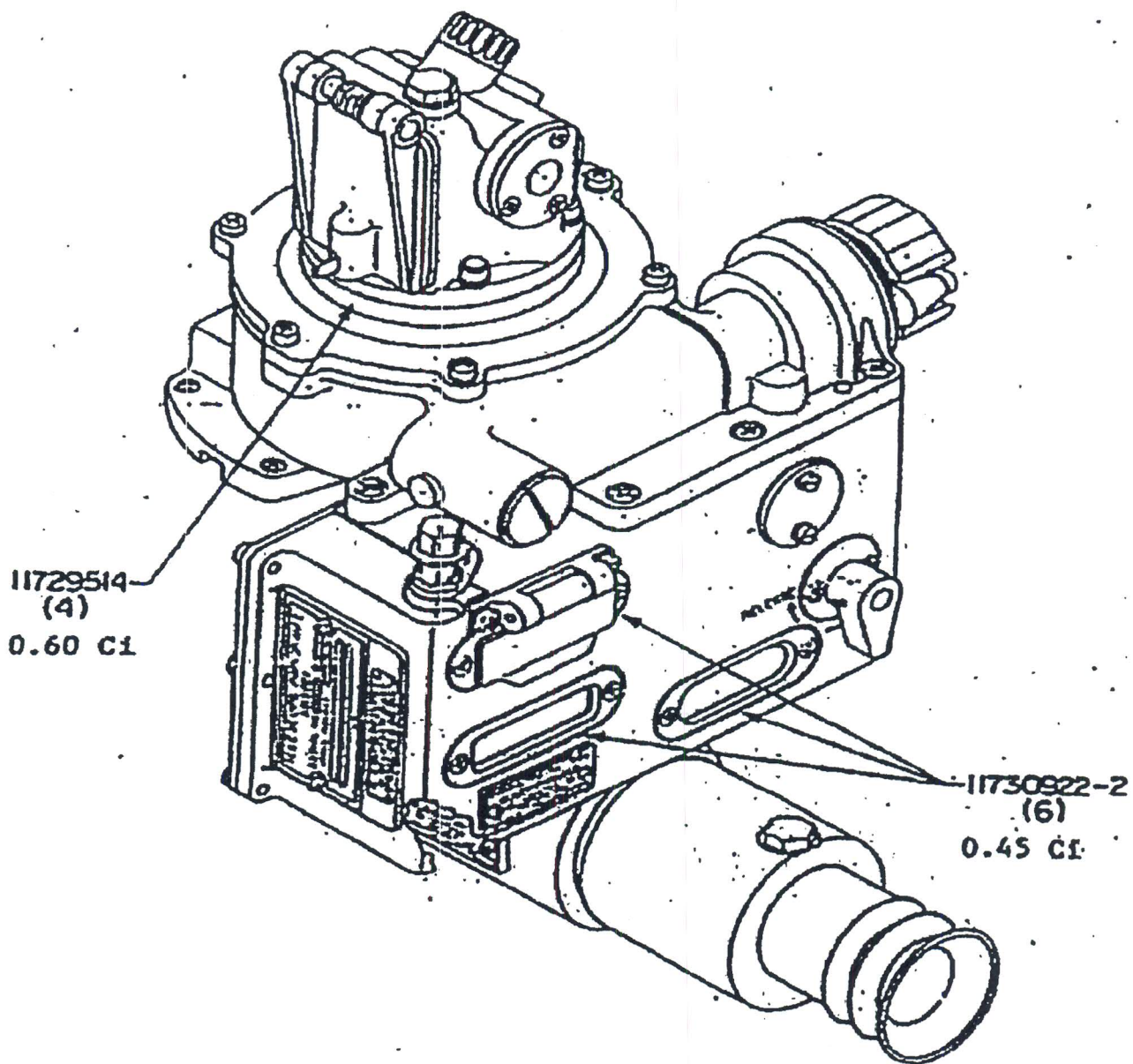


Radioactive Components of M137 Panoramic Telescope
Total Activity 5.1 Ci

REGISTRY OF RADIOACTIVE SEALED SOURCES AND DEVICES
SAFETY EVALUATION OF SEALED SOURCE

NO.: NR-0155-S-808-S DATE: May 13, 2011
(Supersedes NR-0155-S-109-S)

ATTACHMENT 4 OF 7



M137A1

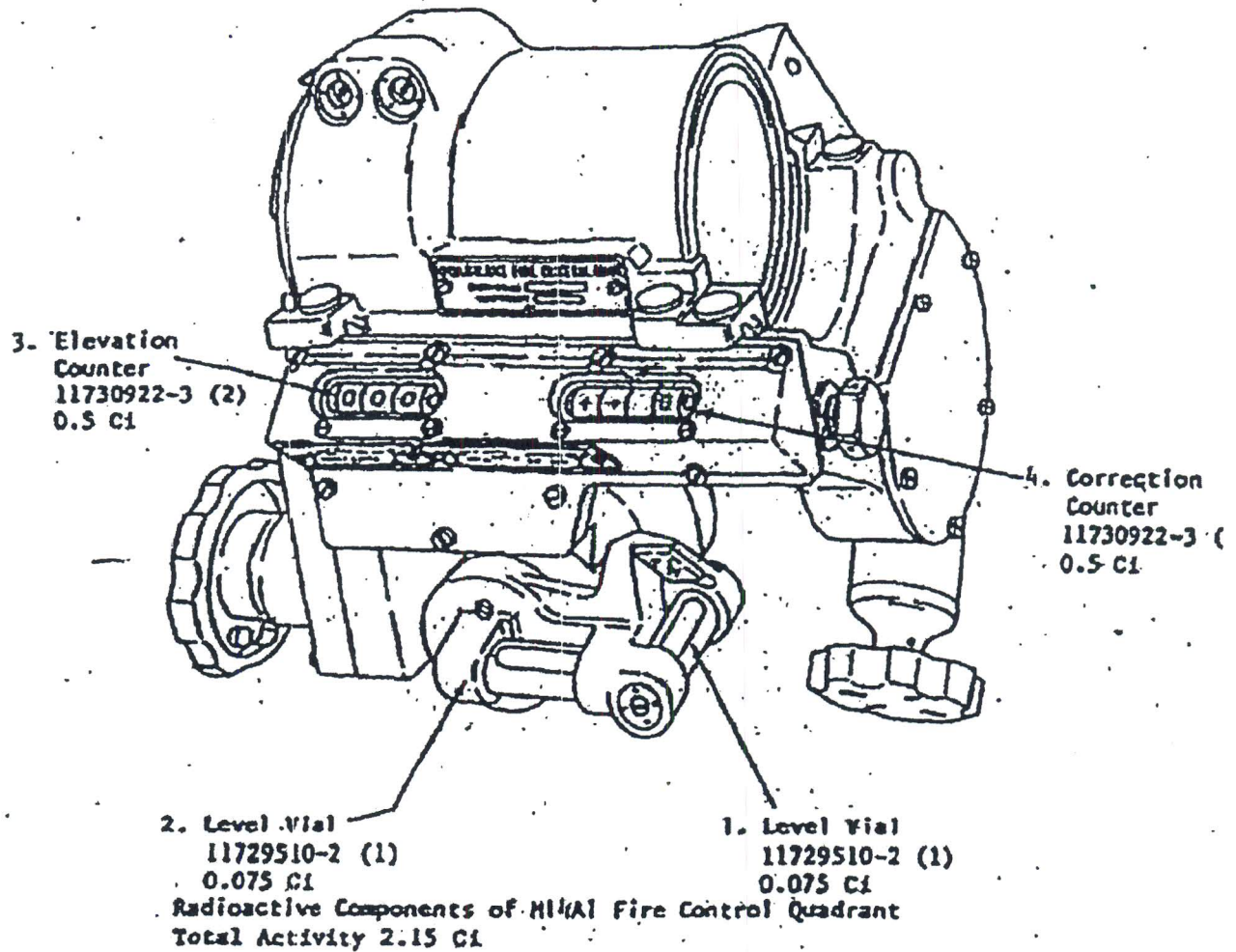
TELESCOPE, PANORAMIC: PN-12599167

Total Activity 5.10 Ci

REGISTRY OF RADIOACTIVE SEALED SOURCES AND DEVICES
SAFETY EVALUATION OF SEALED SOURCE

NO.: NR-0155-S-808-S DATE: May 13, 2011
(Supersedes NR-0155-S-109-S)

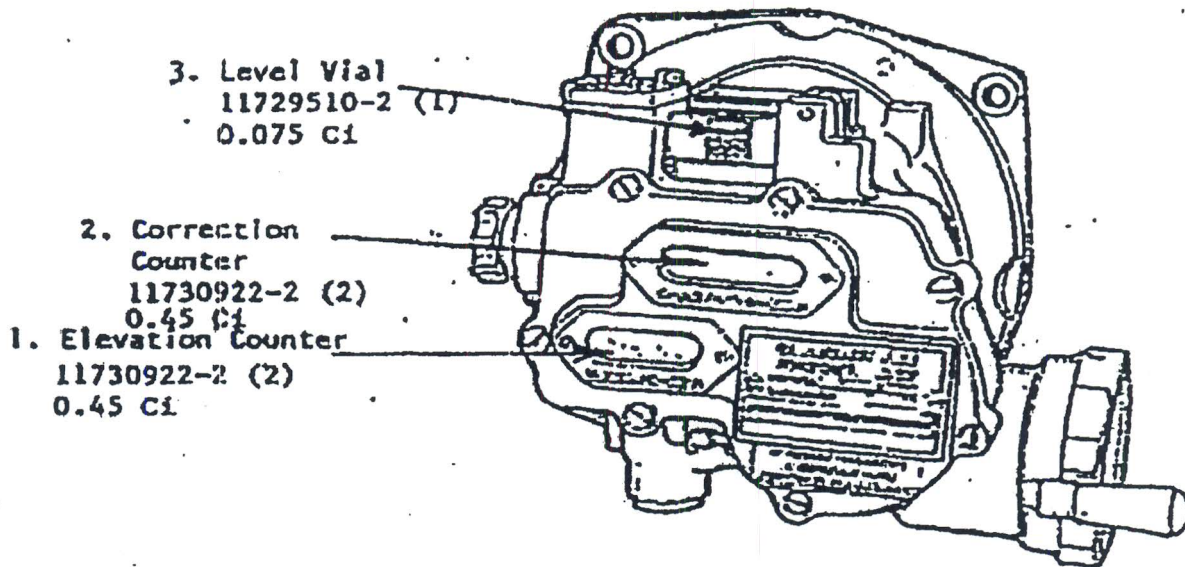
ATTACHMENT 5 OF 7



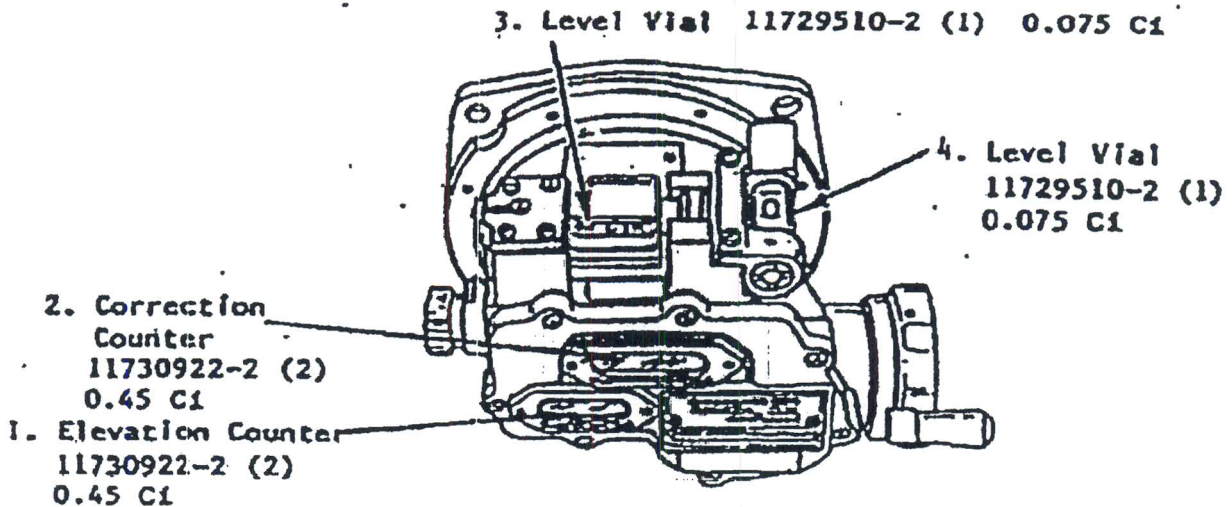
REGISTRY OF RADIOACTIVE SEALED SOURCES AND DEVICES
SAFETY EVALUATION OF SEALED SOURCE

NO.: NR-0155-S-808-S DATE: May 13, 2011
(Supersedes NR-0155-S-109-S)

ATTACHMENT 6 OF 7



Radioactive Elements of the M17 Fire Control Quadrant
Total Activity 1.875 Ci

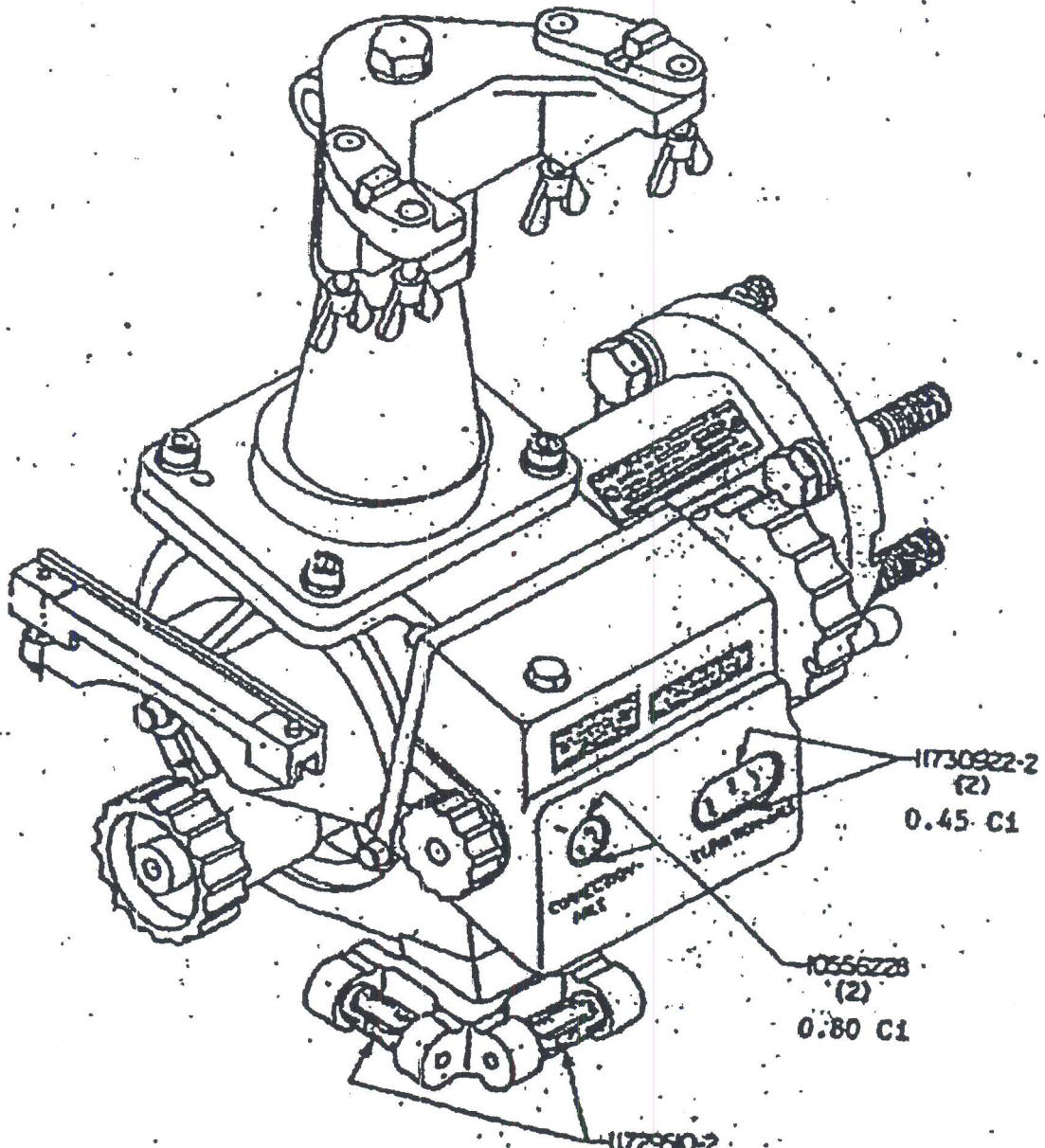


Radioactive Elements of the M18 Fire Control Quadrant
Total Activity 1.95 Ci

REGISTRY OF RADIOACTIVE SEALED SOURCES AND DEVICES
SAFETY EVALUATION OF SEALED SOURCE

NO.: NR-0155-S-808-S DATE: May 13, 2011
(Supersedes NR-0155-S-109-S)

ATTACHMENT 7 OF 7



31187
MOUNT, TELESCOPE, AND QUADRANT FN-12599166
Total Activity 2.65 Ci