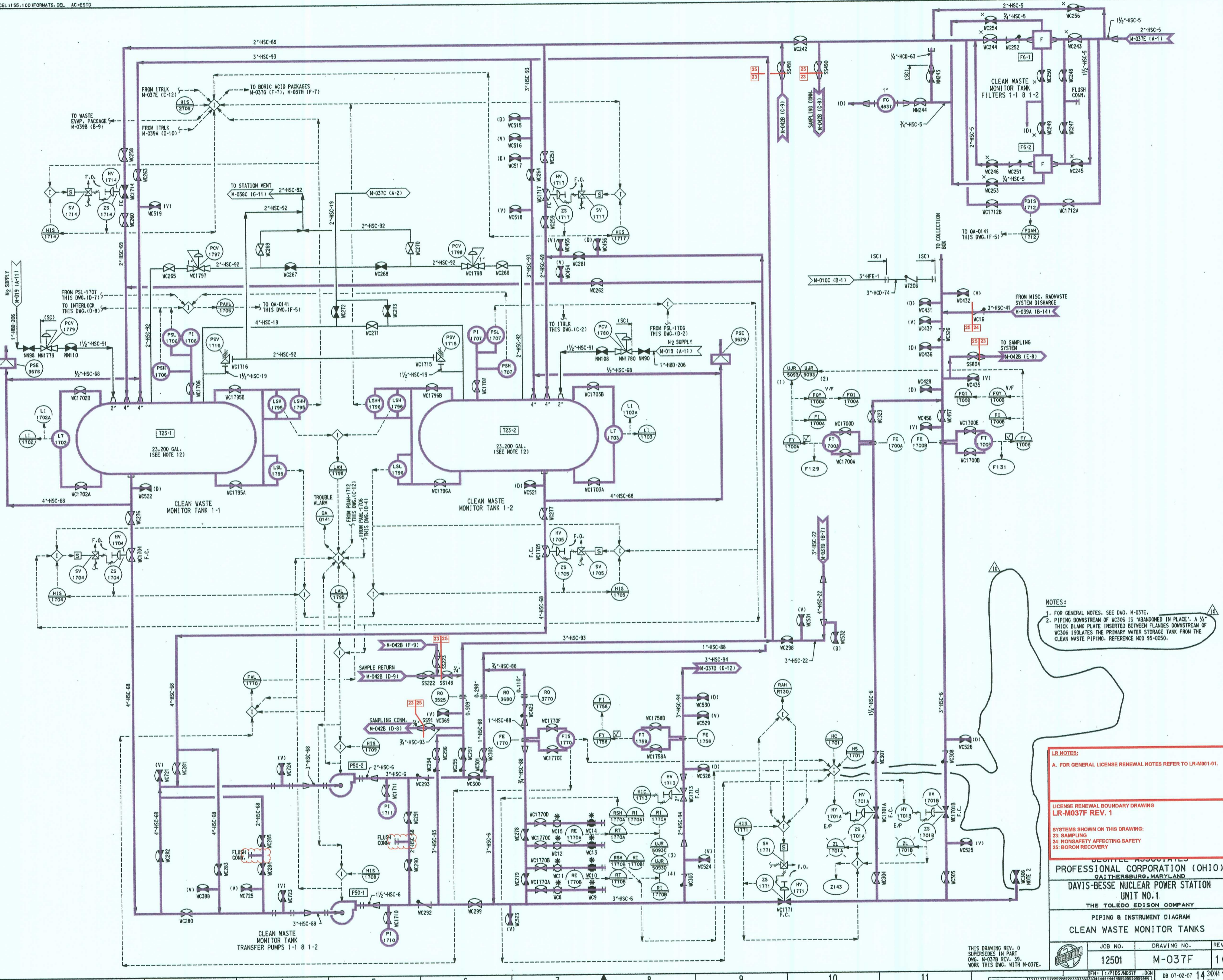


A
B
C
D
E
F
G
H
J
K



NOTES:
 1. FOR GENERAL NOTES, SEE DWG. M-037E.
 2. PIPING DOWNSTREAM OF WC306 IS "ABANDONED IN PLACE". A 1/2" THICK BLANK PLATE INSERTED BETWEEN FLANGES DOWNSTREAM OF WC306 ISOLATES THE PRIMARY WATER STORAGE TANK FROM THE CLEAN WASTE PIPING. REFERENCE MOD 95-0050.

LR NOTES:
 A. FOR GENERAL LICENSE RENEWAL NOTES REFER TO LR-M001-01.

LICENSE RENEWAL BOUNDARY DRAWING
 LR-M037F REV. 1

SYSTEMS SHOWN ON THIS DRAWING:
 23: SAMPLING
 24: NONSAFETY AFFECTING SAFETY
 25: BORON RECOVERY

DEWITZ ASSOCIATES
 PROFESSIONAL CORPORATION (OHIO)
 GAITHERSBURG, MARYLAND
 DAVIS-BESSE NUCLEAR POWER STATION
 UNIT NO. 1
 THE TOLEDO EDISON COMPANY
 PIPING & INSTRUMENT DIAGRAM
 CLEAN WASTE MONITOR TANKS

JOB NO.	DRAWING NO.	REV.
12501	M-037F	10

THIS DRAWING REV. 0 SUPERSEDES IN PART DWG. M-037B REV. 39. WORK THIS DWG. WITH M-037E.

DATE: 07-02-07 14 34X44 E- SIZE

01250