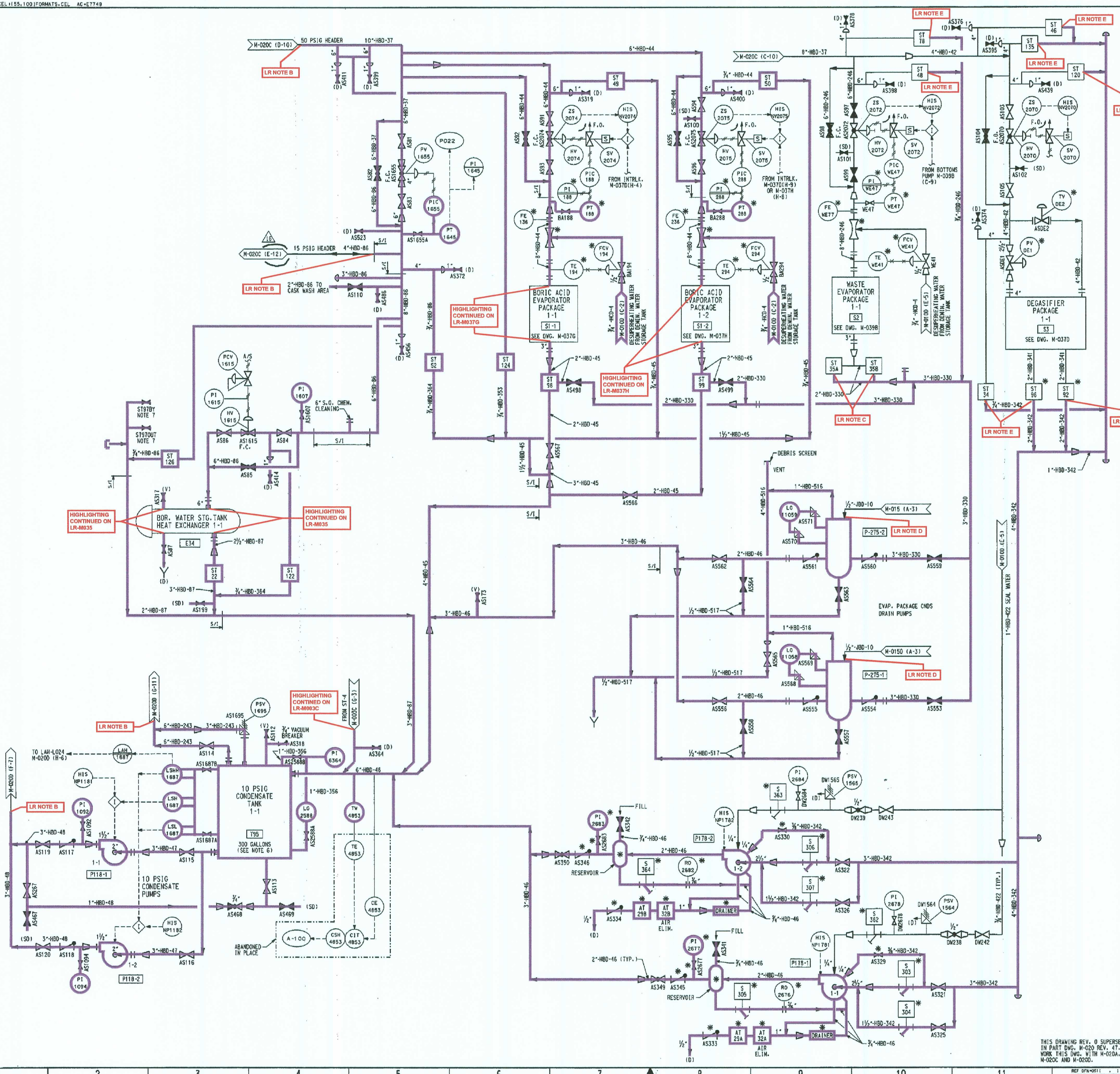


A  
B  
C  
D  
E  
F  
G  
H  
J  
K



NOTES:  
 1. FOR NOTES SEE DRAWING M-020A.

- LR NOTES:
- A. FOR GENERAL LICENSE RENEWAL NOTES REFER TO LR-M001-01.
  - B. COMPONENTS LOCATED BEYOND THE HIGHLIGHTING ARE LOCATED IN THE EXISTING BUILDINGS, WHERE (A)2-4545 CONSIDERATIONS ARE NOT A CONCERN, AND ARE THEREFORE NOT IN SCOPE.
  - C. WASTE EVAPORATOR PACKAGE ABANDONED IN PLACE AS NOTED ON LR-M0398. EACH STEAM TRAP HAS AN ASSOCIATED CHECK VALVE NOT SHOWN IN THIS DRAWING. THE CHECK VALVE PROVIDES ISOLATION.
  - D. COMPONENTS LOCATED BEYOND THE HIGHLIGHTING DO NOT CONTAIN LIQUID OR STEAM NOR ARE ATTACHED TO SAFETY-RELATED COMPONENTS. THEREFORE, THESE COMPONENTS ARE NOT WITHIN THE SCOPE OF LICENSE RENEWAL.
  - E. DEGASIFIER PACKAGE ABANDONED IN PLACE AS NOTED IN USAR TABLE 11.2-1. EACH STEAM TRAP HAS AN ASSOCIATED CHECK VALVE NOT SHOWN IN THIS DRAWING. THE CHECK VALVE PROVIDES ISOLATION.

LICENSE RENEWAL BOUNDARY DRAWING  
 LR-M020B REV. 2  
 SYSTEMS SHOWN ON THIS DRAWING:  
 13: COMPONENT COOLING & DEMINERALIZED WATER STORAGE  
 24: NONSAFETY AFFECTING SAFETY

BECHTEL ASSOCIATES  
 PROFESSIONAL CORPORATION (OHIO)  
 641 THURSBURG, MARYLAND  
 DAVIS-BESSE NUCLEAR POWER STATION  
 UNIT NO. 1  
 THE TOLEDO EDISON COMPANY  
 PIPING & INSTRUMENT DIAGRAM  
 AUXILIARY BUILDING  
 AUXILIARY STEAM SYSTEM

JOB NO.	DRAWING NO.	REV.
12501	M-020B	16

THIS DRAWING REV. 0 SUPERSEDES  
 IN PART DWG. M-020 REV. 47,  
 WORK THIS INCL. WITH M-020A,  
 M-020C AND M-020D.

01223