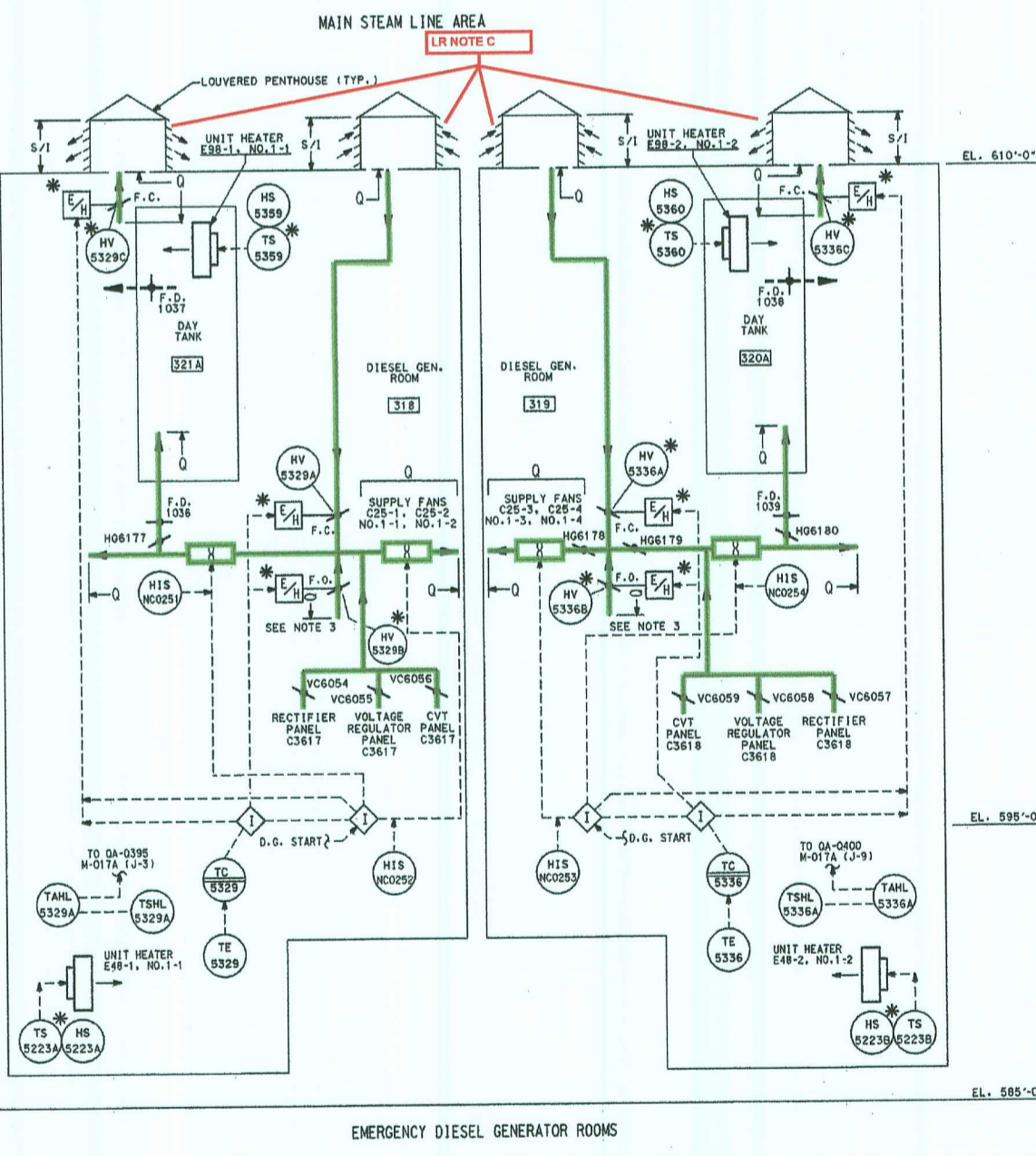
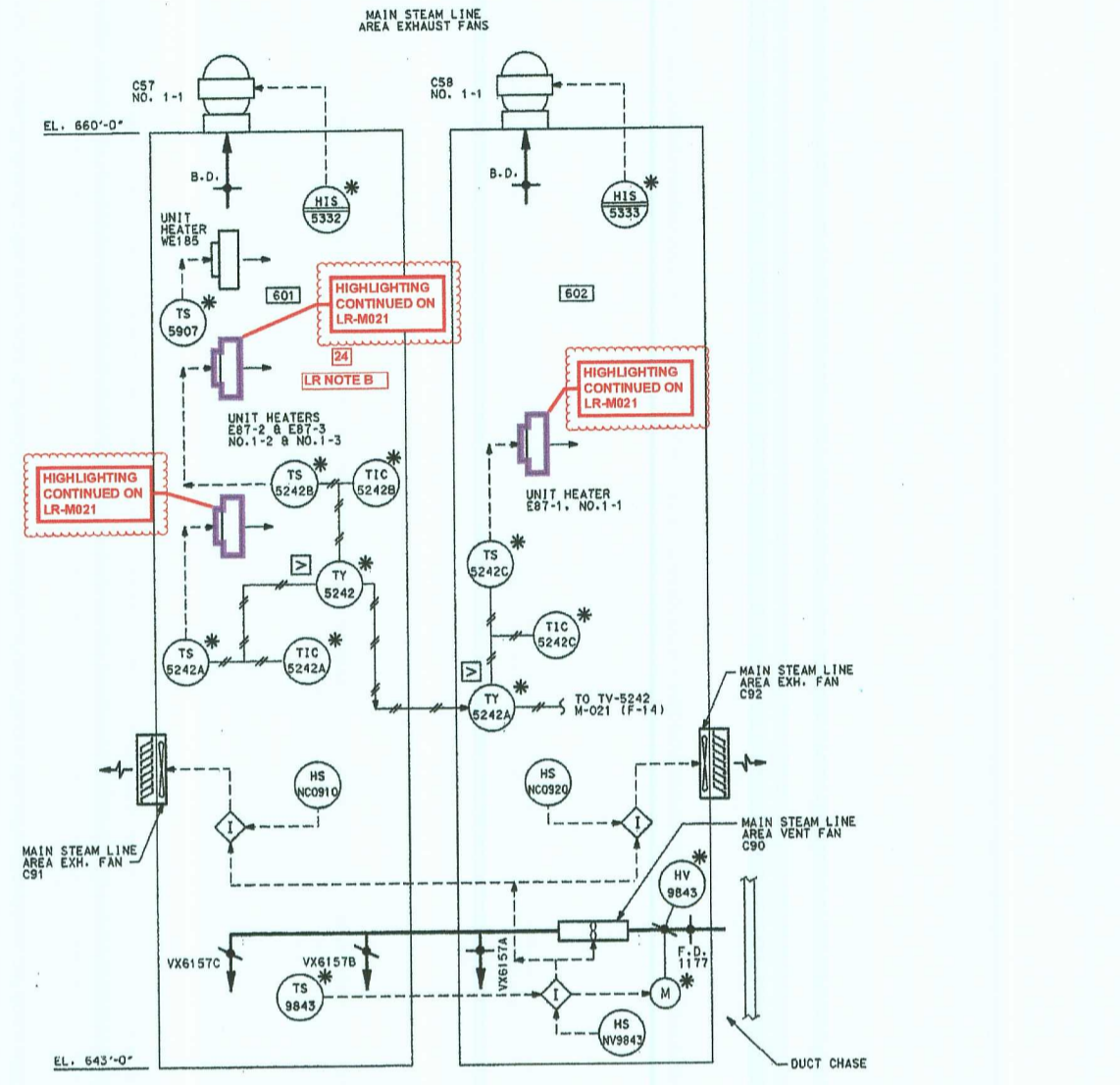


SWITCHGEAR, BATTERY AND CHARGER ROOMS



EMERGENCY DIESEL GENERATOR ROOMS

- LEGEND**
- - - - - TRANSFER AIR (DUCTLESS)
  - SUPPLY OR EXHAUST AIR
  - DIRECTION OF FLOW
  - VOLUME CONTROL DAMPER
  - B.D. BACKDRAFT DAMPER
  - F.D. FIRE DAMPER
  - TEST PORT
  - PNEUMATIC PISTON OPERATED DAMPER
  - VANE AXIAL FAN
  - ▤ PRE-FILTER
  - ▥ ABSOLUTE FILTER
  - ▧ CHARCOAL FILTER
  - ▨ ROLL-O-MATIC FILTER
  - ▩ LOUVER
  - HEATING COIL
  - COOLING COIL
  - ⊂ CENTRIFUGAL FAN

- NOTES:**
- FOR SYMBOLS NOT SHOWN ABOVE SEE PIPING AND INSTRUMENTATION DRAWINGS NO. M-001 AND M-002.
  - "O" LISTED ITEMS INCLUDE ALL ASSOCIATED INSTRUMENTATION.
  - A BLANK MUST BE INSTALLED ON THE NON-OPERATING EDG FAN OUTLET DUCT FOR SYSTEM OPERATION WITH ONLY ONE VENTILATION FAN.
  - THE ONLY VENT OR DRAIN LINE CAPS REQUIRED TO BE SHOWN ON PIPING AND INSTRUMENTATION DIAGRAMS ARE THOSE CONTROLLED UNDER 28-CP-00099 (FORMERLY AD1833.03). THE ACTUAL TERMINATION OF ALL OTHER VENTS OR DRAINS ARE NOT SHOWN AND INSTEAD, AN OPEN ENDED PIPE IS DISPLAYED.

**LR NOTES:**

- A. FOR GENERAL LICENSE RENEWAL NOTES REFER TO LR-0001-01.
- B. THESE THREE UNIT HEATERS ARE SYSTEM 24. ALL OTHER HIGHLIGHTED COMPONENTS ARE SYSTEM 14.
- C. LOUVERED PENTHOUSES ARE EVALUATED AS STRUCTURAL COMPONENTS.

**LICENSE RENEWAL BOUNDARY DRAWING**  
**LR-M027B REV. 1**

SYSTEMS SHOWN ON THIS DRAWING:  
 14: HVAC  
 24: NONSAFETY AFFECTING SAFETY

BECHTEL COMPANY  
 GAITHERSBURG, MARYLAND

DAVIS-BESSE NUCLEAR POWER STATION  
 THE TOLEDO EDISON COMPANY  
 THE CLEVELAND ELECTRIC ILLUMINATING COMPANY

P & ID-HV & A/C AIR FLOW DIAGRAM  
 AUXILIARY BUILDING  
 NON RADIOACTIVE AREAS

JOB No.	DRAWING No.	REV
7749	M-027B	43

DATE: 08 01-19-06 14 34x44 "E" SIZE  
 PSC-11

012230