

MAIN FEEDWATER PUMP

NO. 1 PUMP	
DESCRIPTION	INSTR. NO. / COMP PT NO.
THR. BRG OIL	TE-472A T-640
O/B BRG OIL	TE-472B T-639
T/E BRG OIL	TE-472C T-639
LWR CASE TEMP.	TE-472D
LWR CASE TEMP.	TE-472E
THR. BRG. (INBOARD SHOES)	TE-472F
CASING	TT-472 T-641
LWR CASE TEMP	TT-472A T-637
CASING	TDY-472
T/E BRG VIB	ZY-783A V-639
T/E BRG VIB	ZE-783A
O/B BRG VIB	ZY-783B V-638
O/B BRG VIB	ZE-783B

MAIN FEEDWATER PUMP TURBINE

MAIN FEED PUMP TURBINE SUPERVISORY INSTRUMENTS

NO. 1 TURBINE		NO. 1 TURBINE	
DESCRIPTION	INSTR. NO.	DESCRIPTION	INSTR. NO.
EXHAUST CASING			
PS-2535B	ZE-2700	ACTIVE THRUST BRG. MT.	
PS-2535A	TE-2876	INACTIVE THRUST BRG. MT.	
PS-2729	TE-2763	ACTIVE THRUST WEAR TEST	
ZS-2529A	HS-2775	INACTIVE THRUST WEAR TEST	
ZS-2740	HS-2775A	STOP VLV CHEST TEMP	
ZS-2741	SV-2775	CONTROL STOP VLVS	
ZI-5486A	PS-2715	HP CLOSED	Z-620 ZS-2529B
ZI-5487A	P-658	LP CLOSED	Z-620 ZS-2531B
PSH-5485A	PS-2777	BRG VIBRATION	
IL-5485A	SV-2777	NO. 1 MAIN PUMP VIB	
F70-01	SV-2777	NO. 1 GEAR REDUCER	
P-655	PS-2717	NO. 1 BOOSTER PUMP VIB	
	IL-2717	NO. 1 AUX TURB VIB	
	PS-2717	NO. 1 AUX TURB VIB	
	IL-2717	NO. 1 AUX TURB VIB	
LP CONTROL-STOP VALVES			
ZS-2531A	HS-2769	HP CONTROL-STOP VALVES	
ZS-2531B	IL-2769		
ZS-2737	SV-2769		
ZS-2737A	PSL-4533A		
HS-2767	PSL-4533B		
ZS-2767	PSL-4533C		
	PSL-4533D		

MAIN FW PUMP TURBINE

NO. 1 TURBINE	
DESCRIPTION	INSTR. NO.
BRG OIL TEMP	TTIS-1286
	TTIS-1287
	TTIS-1288
BFP END	T-651 TE-1289
MFP END	T-657 TE-1290
THR BRG OIL TEMP	TTIS-1288
	TTIS-1289
	TTIS-1291
STOP VLV CHEST TEMP	TE-2765
	TE-2765
	TE-2765
CONTROL STOP VLVS	
HP CLOSED	Z-620 ZS-2529B
LP CLOSED	Z-620 ZS-2531B
BRG VIBRATION	
BFP END	V-652 ZT-2703
MFP END	V-657 ZT-2705
	ZT-2705
	ZT-2705
	ZT-2705
SHAFT SPEED	
	S-657 ST-2707C
	SI-2707A
	SI-2707B
ZERO SPEED	S-656
ZERO SPEED	S-656
TURBINE TRIP	G-13 ZS-2743
TURN. GEAR	HIS-1234A
TRN GR ENG	IL-1234B

VIBRATION MONITORING

NO. 1 MAIN TURB/PUMP VIB	
DESCRIPTION	INSTR. NO.
VIB MONITOR	V650 ZSH-783
T/E BRG VIB	ZSH-783A
O/B BRG VIB	ZSH-783B
NO. 1 GEAR REDUCER	
LSS BRG T/E	ZSH-785
HSS BRG P/E	ZSH-786
O/B BRG VIB	ZSH-787A
T/E BRG VIB	ZSH-787B
NO. 1 BOOSTER PUMP VIB	
O/B BRG VIB	ZY-787A
T/E BRG VIB	ZY-787B
NO. 1 AUX TURB VIB	
VIB MONITOR	V601 ZSH-619
T/E BRG VIB	ZSH-619A
O/B BRG VIB	ZSH-619B
NO. 1 AUX TURB VIB	
P/E BRG VIB	ZSH-817A
O/B BRG VIB	ZSH-817B

GEAR REDUCER

NO. 1 PUMP BRG. OT	
DESCRIPTION	INSTR. NO.
HSS-T/E	T-040 TE-1790A
HSS-P/E	T-041 TE-1790B
LSS-T/E	T-042 TE-1790C
LSS-P/E	T-043 TE-1790D
LSS BRG T/E	ZE-785
HSS BRG P/E	ZE-786
HSS BRG P/E	ZE-786
STUB BRG	T-632 TE-6361

FW BOOSTER PUMP NO. 1

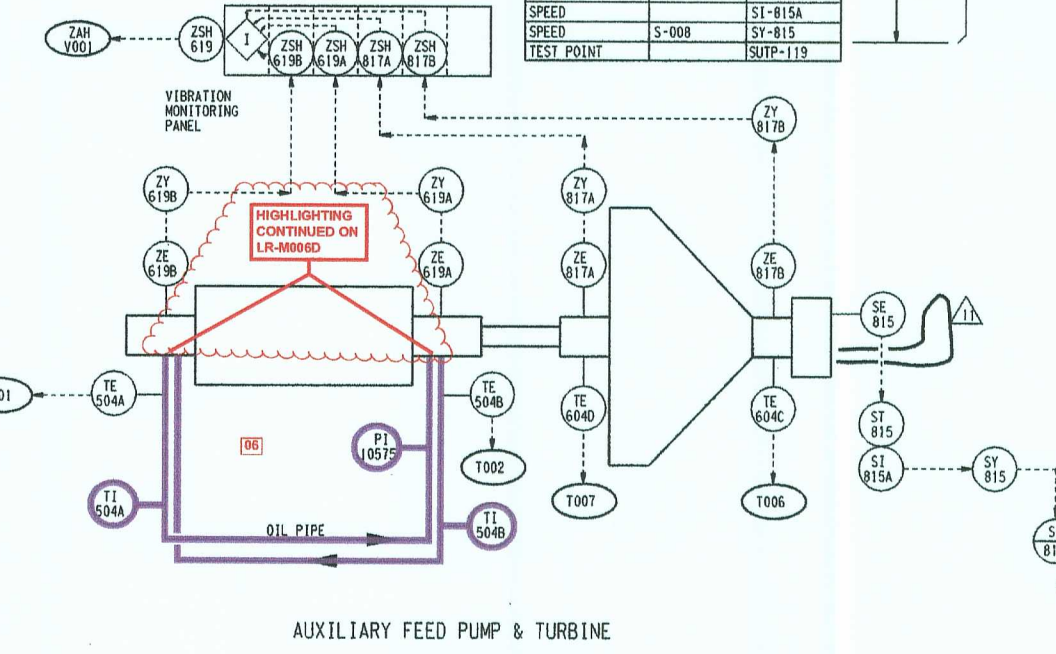
NO. 1 PUMP BRG. OT	
DESCRIPTION	INSTR. NO.
THR BRG	T-046 TE-465A
THR BRG	TE-465B
O/B BRG	T-043 TE-465C
T/E BRG	T-045 TE-465D
NO. 1 PUMP VIB	
O/B BRG	V-043 ZY-787A
O/B BRG	ZE-787A
T/E BRG	V-045 ZY-787B
T/E BRG	ZE-787B

AUXILIARY FEED PUMP NO. 1

NO. 1 PUMP	
DESCRIPTION	INSTR. NO. / COMP PT NO.
BEARINGS O.I.	
O/B BRG OT	TE-504A T-001
T/E BRG OT	TE-504B T-002
O/B BRG OT	TI-504B
BRG. VIB.	ZY-619A
BRG. VIB.	ZY-619A
BRG. VIB.	ZE-619B
BRG. VIB.	ZY-619B
BRG. LUBE OIL PRESS	PI-10575

AUX FEED PUMP TURBINE

NO. 1 TURBINE	
DESCRIPTION	INSTR. NO.
O/B BRG OT	T-006 TE-604C
P/E BRG OT	T-007 TE-604D
BRG. VIB.	ZE-817A
BRG. VIB.	ZY-817A
BRG. VIB.	ZE-817B
BRG. VIB.	ZY-817B
SPEED P/EX-LP	SE-815
SPEED (RPM)	SI-815
SPEED	SI-815
SPEED	SI-815A
SPEED	SI-815
TEST POINT	S-008
	SUTP-119



AUXILIARY FEED PUMP & TURBINE

- NOTES:**
- FOR INSTRUMENTATION SYMBOLS, SEE DWG. M-002.
 - FOR GENERAL NOTES, PIPING SYMBOLS AND P & ID INDEX SEE DWG. M-001.
 - FOR DETAILED LOCATION OF H.P. PUMP TURB. INSTRUMENTATION AND DISPOSITION OF MECH. LINKAGE REFER TO G.E. DWG. 5082233R (BECHTEL DWG. NO 7149-M-38-167, 168, 169).
 - FOR MAIN FEED PUMP TURBINE LUBE-OIL INSTRUMENTATION SEE P & ID M-018.
 - DEVICE DOWNGRADED TO NON-O.
 - DEVICE IS "O" FOR PHYSICAL INTEGRITY ONLY. PERFORMS NO SAFETY FUNCTION.
 - SEE E-68 SHEET 5D.

LR NOTES:

A. FOR GENERAL LICENSE RENEWAL NOTES REFER TO LR-M001-01

LICENSE RENEWAL BOUNDARY DRAWING
LR-M024G REV. 1

SYSTEMS SHOWN ON THIS DRAWING:
 OS: MAIN FEEDWATER
 OB: AUXILIARY FEEDWATER

DAVIS-BESSE NUCLEAR POWER STATION
 UNIT NO. 1

PIPING & INSTRUMENT DIAGRAM
NO. 1 MAIN AND AUXILIARY TURBINE
DRIVEN FEED PUMPS

DRAWING NO. **M-024G** REV. **11**

DATE: 08-01-19-06

01827