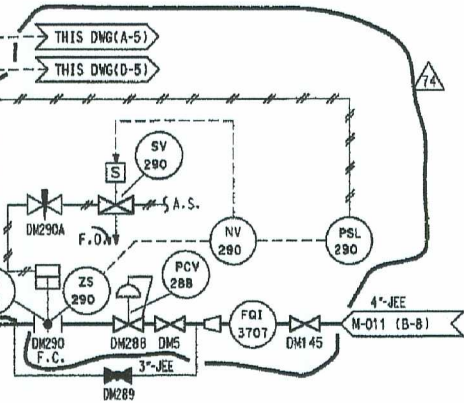


- NOTES:**
- EXCEPTION TO STANDARD SYMBOLS:
ALL PIPING SHOWN ON THIS DIAGRAM TO BE VENDOR SUPPLIED UNLESS OTHERWISE NOTED. LIMIT OF OWNER SUPPLIED PIPING IDENTIFIED BY OWNER.
 - OWNER PIPING TO BE ENGINEERED BY BECHTEL AND SUPPLIED BY GRIMMEL.
 - POSITIONABLE COMPONENTS FOR THIS SYSTEM ARE SHOWN IN AN ACCEPTABLE LINE UP. THE ACTUAL FIELD LINE UP MAY VARY AND IS CONTROLLED BY PROCEDURES.
 - FOR GENERAL NOTES, PIPING SYMBOLS AND PAID INDEX SEE DRAWING M-002.
 - DELETED.
 - UNLESS OTHERWISE NOTED ALL VENTS ARE "X" AND DRAINS 1" LINE IDENT. SAME AS HEADER.
 - DELETED.
 - THE ONLY VENT OR BRAIN LINE CAPS REQUIRED TO BE SHOWN ON PIPING AND INSTRUMENTATION DIAGRAMS ARE THOSE CONTROLLED UNDER DE-OP-0009 (FORMERLY AD1839.03). THE ACTUAL TERMINATION OF ALL OTHER VENTS OR DRAINS ARE NOT SHOWN AND INSTEAD, AN OPEN ENDED PIPE IS DISPLAYED.
 - FOR CHEMISTRY COMPUTER DATA ACQUISITION AND MANAGEMENT SYSTEM (CCAMS) REFER TO DWG. E-926.
 - MANY VENDOR SKID COMPONENTS AND THEIR CONTROL LOGIC ARE NOT SHOWN. FOR THIS INFORMATION SEE VENDOR DRAWINGS 7749-M-152-85, 87, 91, 98, 121, 130, 131, 132.
 - 4" HBD-142 LINE SUPPLYING DOMESTIC WATER STORAGE TANK T-57 IS B/LIND FLANGED.
 - WHERE NOTED THE TANK CAPACITY IS NOMINAL. WHERE APPLICABLE, USE DE-PP-06705 (TANK LEVEL CALIBRATION CURVES) FOR INDICATED LEVEL VS. VOLUME RELATIONSHIP. (REF: P&ID 8-0161).



LR NOTES:

A. FOR GENERAL LICENSE RENEWAL NOTES REFER TO LR-M001-01

B. HIGHLIGHTED COMPONENTS ARE LOCATED IN THE SERVICE WATER PIPE TUNNEL, PIPING AND COMPONENTS BEYOND THE "HIGH LIGHTING" ARE BY THE NONSAFETY-RELATED PORTION OF THE INTAKE STRUCTURE OR IN THE WATER TREATMENT BUILDING, AND THEREFORE NOT IN SCOPE.

LICENSE RENEWAL BOUNDARY DRAWING

LR-M010A REV. 1
SYSTEM SHOWN ON THIS DRAWING:
24. NONSAFETY-AFFECTING SAFETY SYSTEMS

DAVIS-BESSE NUCLEAR POWER STATION		
THE TOLEDO Edison COMPANY THE CLEVELAND ELECTRIC ILLUMINATING COMPANY		
PIPING & INSTRUMENT DIAGRAM		
MAKE-UP WATER TREATMENT SYSTEM		
JOB No.	DRAWING No.	REV.
7749	M-010A	74
DATE: 08-07-12-06 14 34X44 SIZE: PSC 11		

012009