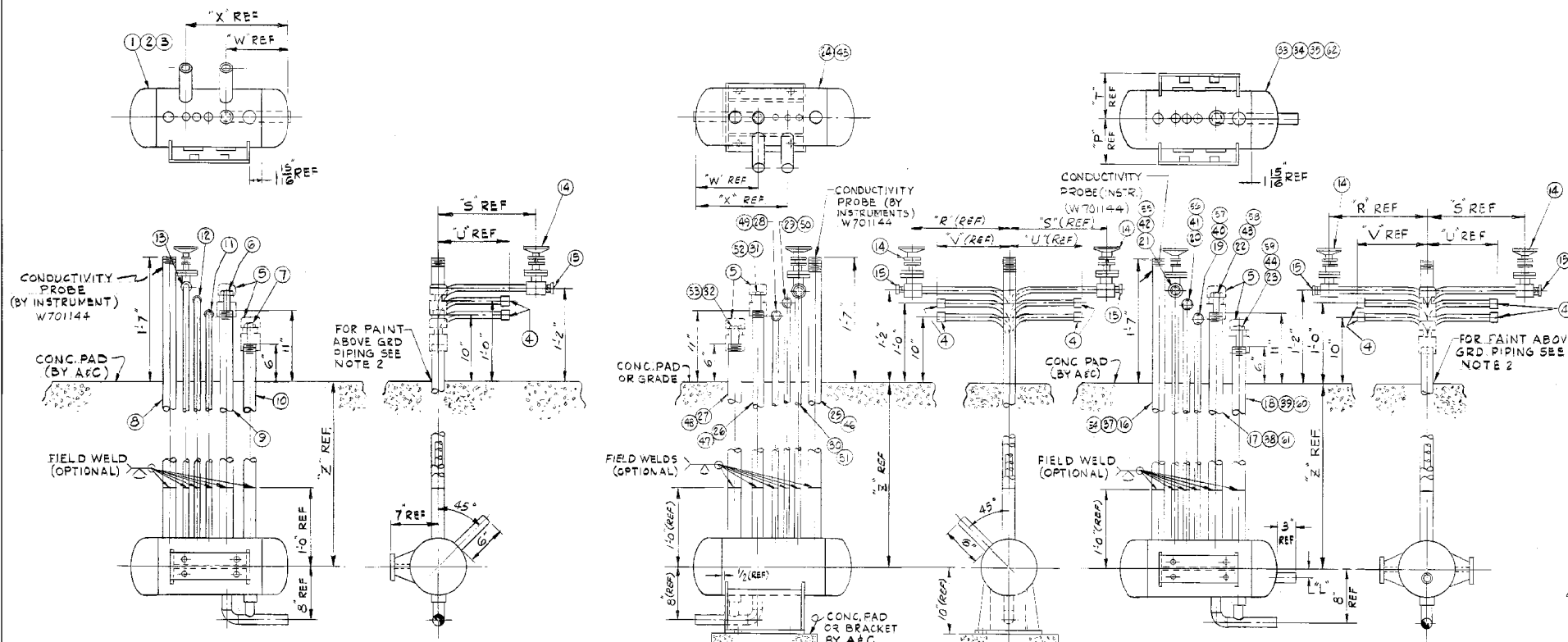


ANALYZE FOR SAFETY, ECOLOGY, AND MINIMUM ESSENTIAL DESIGN



ASSEMBLY NO.	S DIM	U DIM	W DIM	X DIM	Z DIM
W715343-A	1'-3"	11"	9 3/8"	1'-1 3/4"	19'-0"
W715343-B	1'-3"	11"	9 3/8"	OMIT	19'-0"
W715343-C	1'-3"	11"	OMIT	1'-1 3/4"	19'-0"

ASSEMBLY NO.	R DIM	S DIM	V DIM	U DIM	W DIM	X DIM	Z DIM
W715343-E	1'-3"	OMIT	11"	OMIT	9 3/8"	1'-1 3/4"	12'-7 3/16"
W715343-J	OMIT	1'-3"	OMIT	11"	9 3/8"	OMIT	21'-9"

ASSEMBLY NO.	R DIM	S DIM	V DIM	U DIM	T DIM	P DIM	L DIM	Z DIM
W715343-D	1'-3"	OMIT	11"	OMIT	7"	OMIT	1/8"	10'-1 1/16"
W715343-F	OMIT	1'-3"	OMIT	11"	OMIT	7"	3/2"	10'-1 1/16"
W715343-G	1'-3"	OMIT	11"	OMIT	7"	OMIT	0"	10'-5 1/16"
W715343-H	OMIT	1'-3"	OMIT	11"	OMIT	7"	0"	10'-5 1/16"

ITEM NO.	NAME	QTY FOR (1) UNIT OF ASSY W715343											SIZE & DESCRIPTION		
		A	B	C	D	E	F	G	H	J	K	L			
1	BODY														D149243-F
2	BODY														D149243-A
3	BODY														D149243-H
4	1/2" PIPE CAP	2	2	2	2	2	2	2	2	2	2	2	2	2	3000# SCR'D
5	PIPE CAP	2	2	2	2	2	2	2	2	2	2	2	2	2	D179820-A
6	PLUG														D179820-H
7	PLUG														D179820-J
8	1/2" SCH 40 PIPE														D179820-B
9	1/2" SCH 40 PIPE														D179820-C
10	1/2" SCH 40 PIPE														D179820-D
11	1/2" SCH 40 PIPE														D179820-E
12	1/2" SCH 40 PIPE														D179820-F
13	1/2" SCH 40 PIPE														D179820-G
14	1/2" GATE VALVE														G37A,CS,SCR'D
15	1/2" PLUG														SCR'D CS
16	1/2" SCH 40 PIPE														D179820-K
17	1/2" SCH 40 PIPE														D179820-L
18	1/2" SCH 40 PIPE														D179820-M
19	1/2" SCH 40 PIPE														D179820-N
20	1/2" SCH 40 PIPE														D179820-O
21	1/2" SCH 40 PIPE														D179820-P
22	PLUG														D179820-R
23	PLUG														D179820-S
24	BODY														D149243-E
25	1/2" SCH 40 PIPE														D179820-T
26	1/2" SCH 40 PIPE														D179820-U
27	1/2" SCH 40 PIPE														D179820-V
28	1/2" SCH 40 PIPE														D179820-W
29	1/2" SCH 40 PIPE														D179820-X
30	1/2" SCH 40 PIPE														D179820-Y
31	PLUG														D179820-Z
32	PLUG														D179820-AA
33	BODY														D149243-BB
34	BODY														D149243-CC
35	BODY														D149243-DD
36	BODY														D149243-EE
37	1/2" SCH 40 PIPE														D179820-BB
38	1/2" SCH 40 PIPE														D179820-CC
39	1/2" SCH 40 PIPE														D179820-DD
40	1/2" SCH 40 PIPE														D179820-EE
41	1/2" SCH 40 PIPE														D179820-FF

W 715343
LAST REV. 10

- NOTES:
- 1- ALL PIPING PER SPEC 4482, PIPE CODE PSIA UNLESS OTHERWISE SPECIFIED.
 - 2-(a) ALL UNDERGROUND PIPING SURFACES IN CONTACT WITH EARTH TO BE COATED WITH TWO COATS OF BITUMASTIC 50.
 - (b) ALL AISC STL PIPING SURFACES SHALL BE PREPARED AND PAINTED IN ACCORDANCE WITH DUPONT PAINTING SYS#2350.
 - 3-BEFORE ATTACHING I DRAIN TO PIPE JACKET, HYDROSTATIC TEST @ 225 PSI WITH PLUGS INSTALLED.
 - 4-FOR GENERAL NOTES SEE W705668.
 - 5-NO LEAD SHIELDING REQUIRED.

Q NOTES:
WASTE PIPING JACKETS ARE CLASSIFIED 'Q'
SEE PROJECT DQAPP FOR QA ACTION REQUIREMENTS.

* DA
Y510
W510
Y520
Y521

M/F	BLDG.	PROJ.	DA	TYPE	W 715343	LAST REV.
	241F#H	951749	W941	27		10

SAVANNAH RIVER PLANT
BLDG 241F#H
WASTE STORAGE FACILITIES
LEAK DETECTION BOX ASSY
PROCESS

THIS DOCUMENT CONTAINS INFORMATION RELATING TO ACTIVITIES OF THE U.S. DEPARTMENT OF ENERGY. NOT TO BE REPRODUCED OR RELEASED WITHOUT PRIOR APPROVAL.

RMD REVIEWED AT REV. DATE

PROJ. NO.	REVISION	RVSD	CHKD	APPD	DATE	PROJ. NO.	REVISION	RVSD	CHKD	APPD	DATE	PROJ. NO.	REVISION	RVSD	CHKD	APPD	DATE	STANDARDS	REFERENCE DRAWINGS
																			W712023
																			W708680
																			W72364
																			W704346
																			W715590 PROCESS

PROJECT 951749
SCALE 1/8" = 1'-0"
DATE 11-21-80
DRAWN S. WIERNICKI
CHECKED E. UYMAZI
APPROVED I.C.R.
APPROVED-FINAL
E. I. DU PONT DE NEMOURS & CO., INC.
WILMINGTON, DELAWARE
ENGINEERING DEPARTMENT
W 715343

ORIGINAL DRAWING MADE ON DU PONT POLYESTER FILM