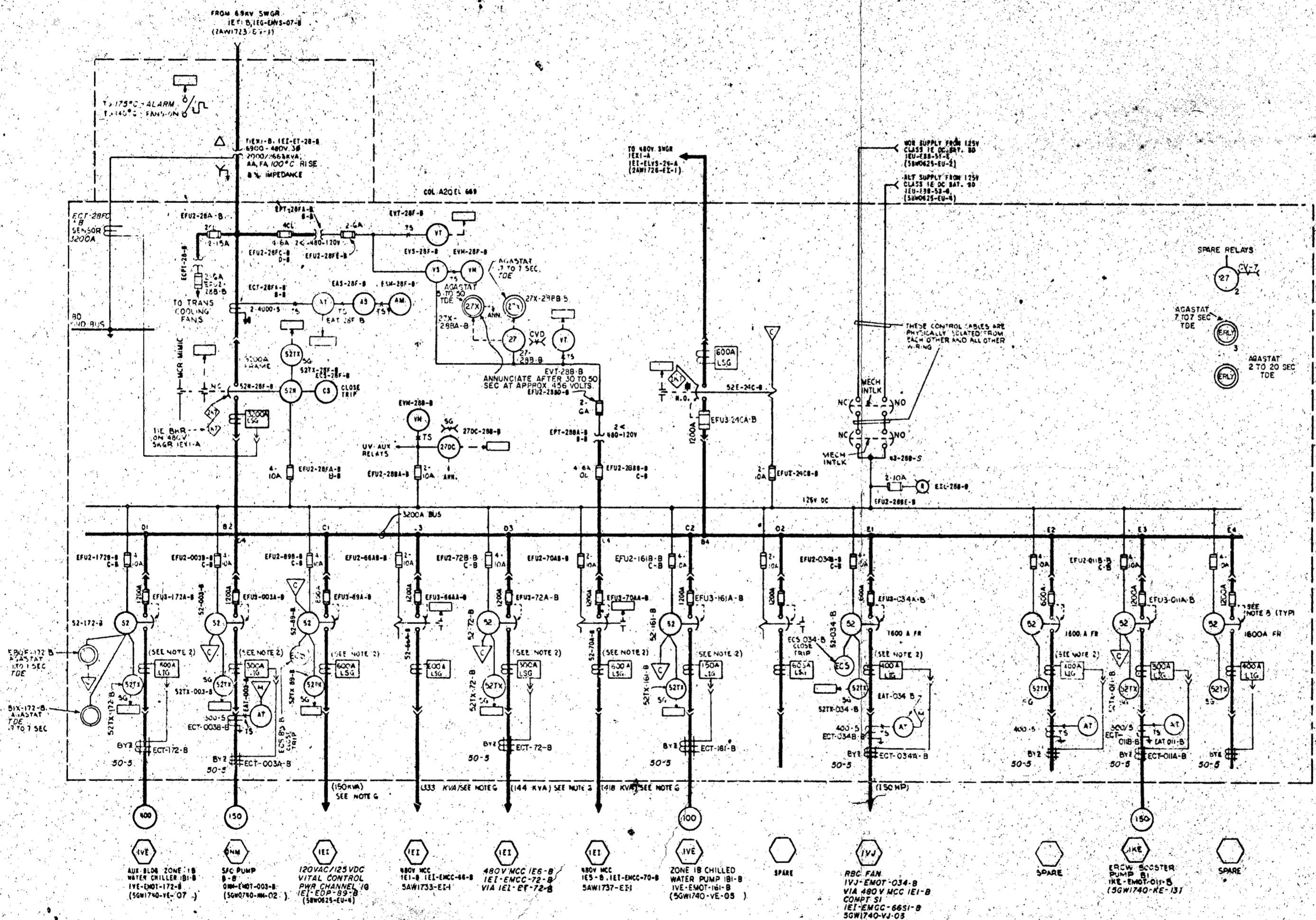


REFERENCE DRAWINGS	
DRAWING NUMBER	TITLE
2AW1727-EI-1	PLANT AC AUXILIARY POWER SYSTEM SINGLE LINE
2AW1700-EI-1	480V SWGR IEX1-B SYSTEM SCHEMATIC

- NOTES:
- 480V SWGR PROVIDED ON CONTR. NO. 7CH3-8552G.
  - ALL CBT BREAKS ARE 3-POLE, 2000 FR WITH REAR MOUNTED CURRENT LIMITING FUSE ON LINE SIDE OF EACH POLE, EXCEPT AS NOTED.  
2000A FR BREAKS HAVE 200,000 RMS SYM INTERRUPTING RATING AT 480V.  
1600A FR BREAKS HAVE 200,000 RMS SYM INTERRUPTING RATING AT 480V.  
3200A FR BREAKS HAVE 85,000 RMS SYM INTERRUPTING RATING AT 480V.  
AS NOTED, BREAKS ARE EQUIPPED WITH AN ELECTRICAL LOCKING SYSTEM WHICH WILL LOCK BREAKS AUTOMATICALLY BY THE ANNUATOR.
  - RELAYS SHALL BE THE TYPES SHOWN ON THIS DRAWING OR THE APPROVED EQUAL.
  - THIS SWGR IS SUBJECT TO ALL REQUIREMENTS FOR CLASS 1E ELEC EQUIP.
  - EACH DEVICE ASSOCIATED WITH THE SWGR BUS, TRANSFORMER, AND THE NORMAL OR THE CBT BREAKS, IS PART OF THE 480V CLASS 1E AC AUX PWR DISTRIBUTION SYS WITH UNIT AND SYS DESIGNATION, I.E., THE DEVICE UNIT IS FORMED BY PREFIXING THE DESIGNATIONS SHOWN ON THE DWS WITH IEX, EXCEPT AS NOTED. ALL OTHER BREAKS WITH THEIR ASSOCIATED DEVICES ARE PART OF THE SYS WHICH THEY SUPPLY. THE UNIT IS FORMED BY PREFIXING THE DESIGNATIONS SHOWN ON THE DWS WITH THE UNIT AND SYS DESIGNATION SHOWN IN THE HEXAGON SYMBOL, EXCEPT AS NOTED. THE SWGR UNIT DESIGNATIONS ARE FORMED AS FOLLOWS USING THE PNL NO. (1Y), AND THE TRIN DESIGNATION (1) A OR B: IEX-ELVS-28X-Y.
  - KVA LOADS SHOWN ARE ESTIMATED MAXIMUM DEMAND.
  - SEE DWS 2807M-R FOR KVA LOADS THAT REQUIRE DIESEL POWER.
  - BLOWN FUSE TRIPS BREAKER.

- SYMBOLS:
- ANN - THIS FUNCTION TO BE MONITORED BY ONE OR MORE ANNUNCIATION OR ALARM SYSTEMS.
  - WHEN BREAKER IS IN RACKED OUT (DISCONNECTED) POSITION USE SHIPPING BRACKET TO INSURE STABILITY. DO NOT LEAVE BREAKER IN TEST POSITION.
  - SOLID STATE TRIP DEVICE WITH SENSOR RATING SHOWN
  - L - LONG TIME DELAY (OVERLOAD)
  - S - SHORT TIME DELAY (SELECTIVE TRIP)
  - I - INSTANTANEOUS (FAULT CURRENT)
  - G - GROUND (FAULT CURRENT)
  - INTERFACE FOR STATUS, ENVIRONMENTAL, AND ALARM MONITORING SYS (SEAMS)
  - CONNECTION TO REMOTE METER (UNIT CONTROL ROOM)
  - INTERFACE FOR REMOTE CONTROL
  - PRIMARY CONTAINMENT PENETRATION
  - KEY INTERLOCK
  - UNIT AND SYS DESIGNATION (SEE NOTE 5)
  - RED INDICATING LIGHT



Docket # 50-438  
Control # 8304050526  
Date 3-25-83  
REGULATORY DOCKET FILE

PRC  
APERTURE  
CARD

1	12.20.16	9-9-76	Control # 8304050526	REGULATORY DOCKET FILE
2	12.20.16	9-9-76	Control # 8304050526	REGULATORY DOCKET FILE
3	12.20.16	9-9-76	Control # 8304050526	REGULATORY DOCKET FILE

AUXILIARY BUILDING UNIT 1	
SINGLE LINE DIAGRAM 480V SWITCHGEAR IEX1-B IEX1-ELVS-28-B	
BELLEFONTE NUCLEAR PLANT TENNESSEE VALLEY AUTHORITY DIVISION OF ENGINEERING DESIGN	
DESIGNED BY R.M. Holger	APPROVED BY J. H. Chandler
DATE 2-4-78	DRAWING NO. 2AW1727-EI-1
PROJECT NO. 45W719-2/FSAR	SCALE AS SHOWN

PRINTED ON	36x48
PROJ.	1
REV.	
NO.	
BY	
CHKD	
DATE	