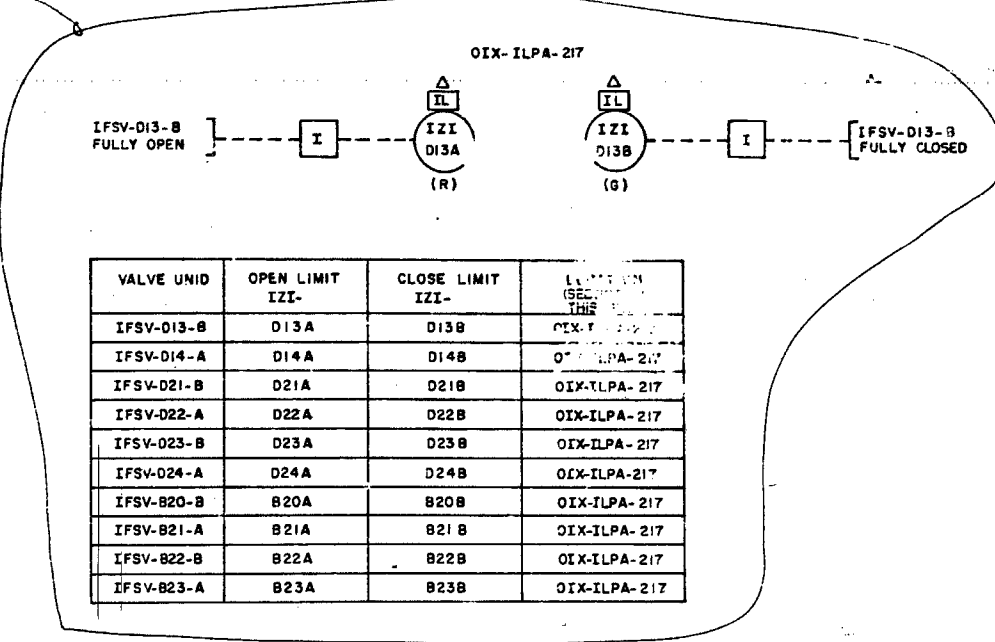


UNIT 1 SHOWN  
UNIT 2 TYPICAL



VALVE UNID	OPEN LIMIT	CLOSE LIMIT	LOCATION
IFSV-013-B	D13A	D13B	OPEN
IFSV-014-A	D14A	D14B	OIX-ILPA-217
IFSV-021-B	D21A	D21B	OIX-ILPA-217
IFSV-022-A	D22A	D22B	OIX-ILPA-217
IFSV-023-B	D23A	D23B	OIX-ILPA-217
IFSV-024-A	D24A	D24B	OIX-ILPA-217
IFSV-020-B	B20A	B20B	OIX-ILPA-217
IFSV-021-A	B21A	B21B	OIX-ILPA-217
IFSV-022-B	B22A	B22B	OIX-ILPA-217
IFSV-023-A	B23A	B23B	OIX-ILPA-217

NOTES:  
1. FOR GENERAL NOTES SEE SHEET 01.  
2. UNIT 2 LOCAL INDICATION IS MOUNTED ON LOCAL PANEL OIX-ILPA-218.

PRC  
APERTURE  
CARD

Revised # 58-498  
Change # 8704050536  
Date 3-25-83  
of Document  
REGULATORY DOCKET FILE

NO ISSUE FOR  
ECN 994

1994	11-30-92	344	201	202	203	204	205	206	207	208	209	210	211	212	213	214	215	216	217	218	219	220
ADDED VALVE ZONE INDICATORS																						
REV	NO.	ECN NO.	DATE	BY	CHKD	APPV	DESC															
DESIGN	J. W. Phillips																					
DRAWN	J. E. ...																					
CHG	J. A. ...																					
SUPV	M. R. ...																					
SCALE: NONE											EXCEPT AS NOTED											
GENERAL UNITS 1 & 2																						
FUNCTIONAL CONTROL LOGIC DIAGRAM SAMPLING AND WATER QUALITY																						
Bellefonte Nuclear Plant TENNESSEE VALLEY AUTHORITY DIVISION OF ENGINEERING DESIGN																						
SUBMITTED											RECOMMENDED											
INSPECTED AND APPROVED FOR ISSUE											APPROVED											
KNOXVILLE 3-19-92											88 E 2GW0900-YQ-2 R1											

FSAR FIG. 9.3.2-9

PRINT H / /  
SIZE F  
OR OR PROJ ME EE CE AD CD ED MD SW IN PA  
PRINTS RECD-R