

4973  
2622  
35-183

1 2 3 4 5 6 7 8 9 10 11 12

A

B

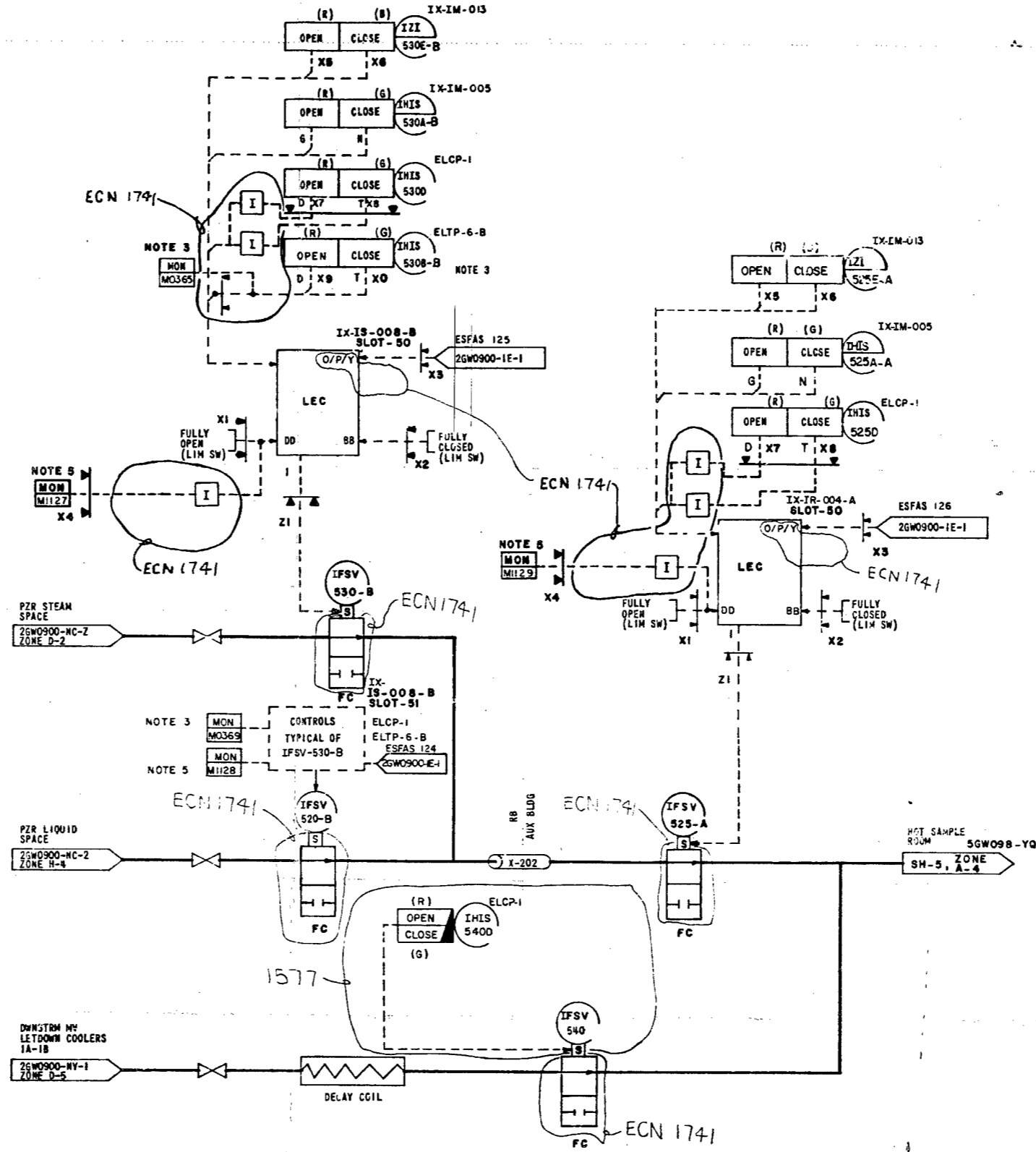
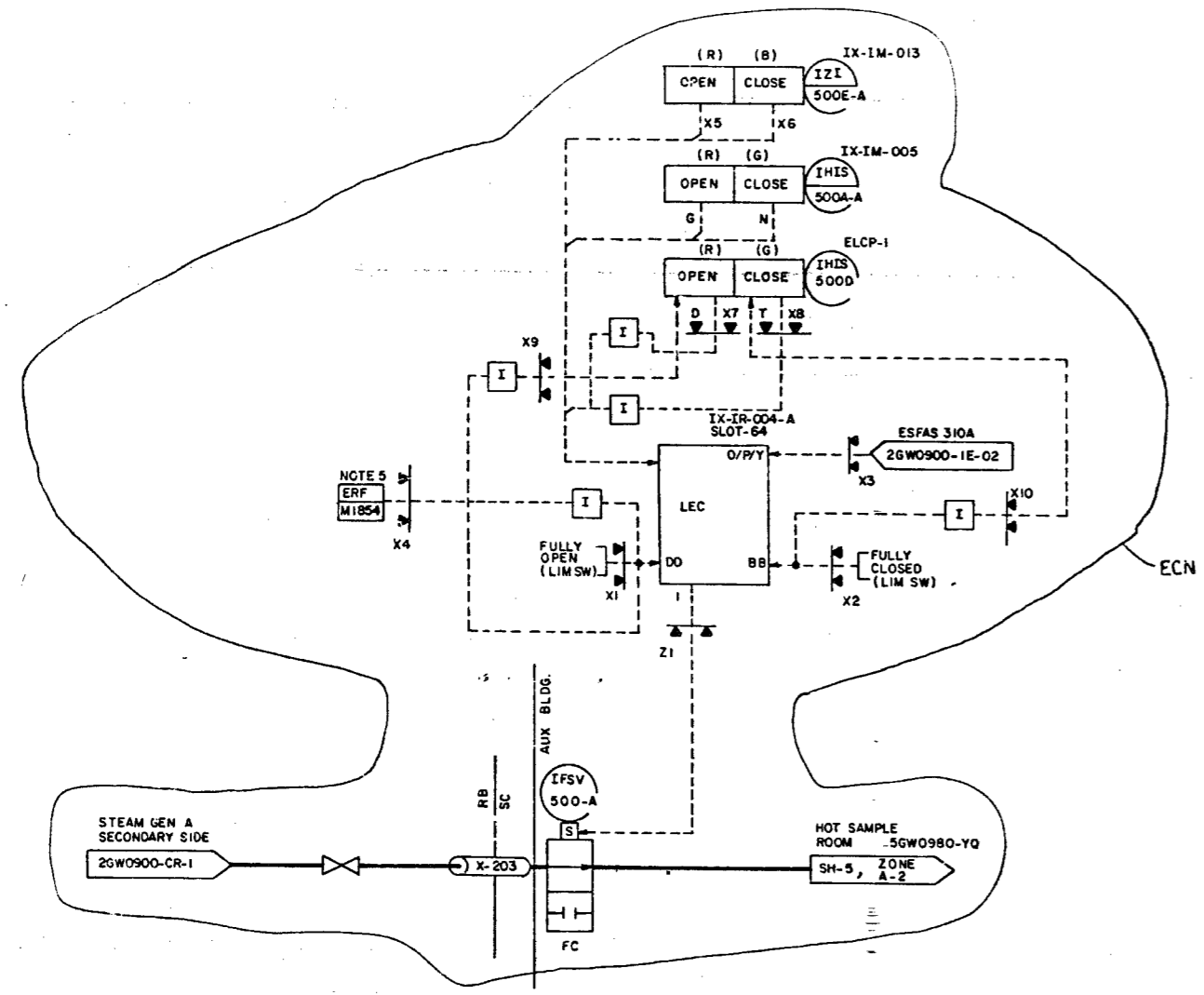
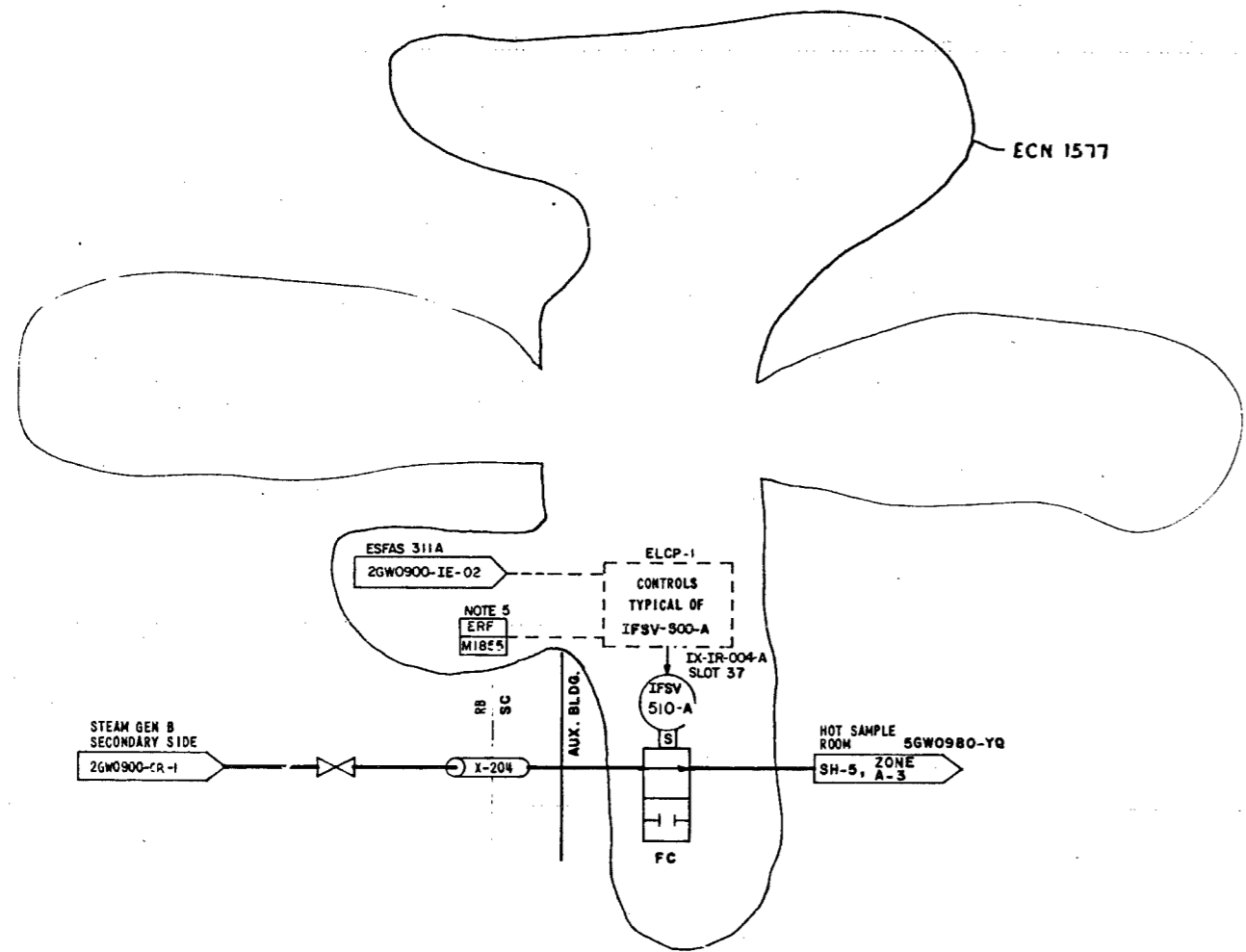
C

D

E

F

G



- NOTES:
- SEE DRAWINGS 2GW0900-10-1 THROUGH -4 FOR EXPLANATION OF SYMBOLS.
  - ALL UNIQUE IDENTIFICATION CODES SHOWN ARE TO BE PREFIXED WITH 1, 2, OR 3 TO DENOTE EQUIPMENT ASSOCIATED WITH GENERATING UNIT 1, 2 OR 3, RESPECTIVELY, IMMEDIATELY FOLLOWED BY THE SYSTEM IDENTIFICATION INCLUDED BETWEEN THE DASHES IN THE DRAWING NUMBER BELOW, UNLESS OTHERWISE NOTED.
  - LOCAL TEST SWITCHES INSIDE CONTAINMENT ARE REMOVABLE PENDANTS. PENDANT INSERTION IS MONITORED BY SEAMS.
  - THIS DRAWING ONLY DEPICTS REMOTELY OPERATED DEVICES. FOR COMPLETE SYSTEM SEE WATER QUALITY INSTRUMENTATION DWG SGW0900-10-1 THRU 7.
  - DEVICE STATUS FOR MIMIC.
  - ALL SWITCHES SHALL BE IE TO ASSURE POWER INTERRUPT CAPABILITY.

REFERENCE DRAWINGS:  
 FCLD STARTUP & RECIRC. 2GW0900-CR  
 FCLD CORE FLOODING. 2GW0900-RL-1  
 FCLD REACTOR COOLANT. 2GW0900-NC-2  
 FCLD MU & P SYS. 2GW0900-HY-1, 4

SSCS CIRCUIT INTERFACE DIAGRAMS  
 CONTROLLED DEVICE DIAGRAM

CONTROLLED DEVICE	DIAGRAM
IFSV-525-A	2GB0910-YQ-01
IFSV-520-B	2GB0910-FQ-02
IFSV-530-B	2GB0910-YQ-03
IFSV-B21-A	2GB0910-YQ-04
IFSV-B23-A	2GB0910-YQ-05
IFSV-B20-B	2GB0910-YQ-06
IFSV-B22-B	2GB0910-YQ-07
IFSV-D14-A	2GB0910-YQ-08
IFSV-D13-B	2GB0910-YQ-09
IFSV-024-A	2GB0910-YQ-10
IFSV-023-B	2GB0910-YQ-11
IFSV-022-A	2GB0910-YQ-12
IFSV-021-B	2GB0910-YQ-13
IFSV-500-A	2GB0910-YQ-14
IFSV-510-A	2GB0910-YQ-15

**PRC APERTURE CARD**

Project # 58-438  
 Control # 8304050536  
 Date 3-25-83 of Document  
**REGULATORY DOCKET FILE**

3	REVISED CONTROLS FOR VALVES IFSV-500, AND IFSV-510. REMOVED IFSV-580 AND ADDED ISOLATOR SYMBOL, REF DWG AND MINOR CHG.										
2	SI										
MINOR ADDITIONS											
1	SI, 222										
GENERAL REVISIONS											
REV NO.	ECN NO.	DATE	DSGN	DRWN	CHKD	SUPV	ENGR	INSP	SUBM	REC'D	APPR
1											
DSGN: A. DJIRIKIAN		INSP:		DRWN: T. BEEVES		ENGR: L. J. Perry					
CHKD: W. A. SULLIVAN		ENGR: L. J. Perry									
SUPV: W. H. SANDY											
<b>POWERHOUSE UNITS 1 &amp; 2</b>											
<b>FUNCTIONAL CONTROL LOGIC DIAGRAM SAMPLING AND WATER QUALITY</b>											
<b>BELLEFONTE NUCLEAR PLANT TENNESSEE VALLEY AUTHORITY DIVISION OF ENGINEERING DESIGN</b>											
SUBMITTED: 2.8.83		RECOMMENDED: [Signature]		APPROVED: [Signature]							
KNOXVILLE 8-7-75		88 E		2GW0900-YQ-1 R3							

FSAR FIG 9.3.2-8  
 INSPECTED AND APPROVED FOR ISSUE  
 RIM Hodges

PRINTS REC'D:

BR	NO	SILE
ME		
CE		
CD		
ED		
MD		
SP		
SW		
BL		
PA		