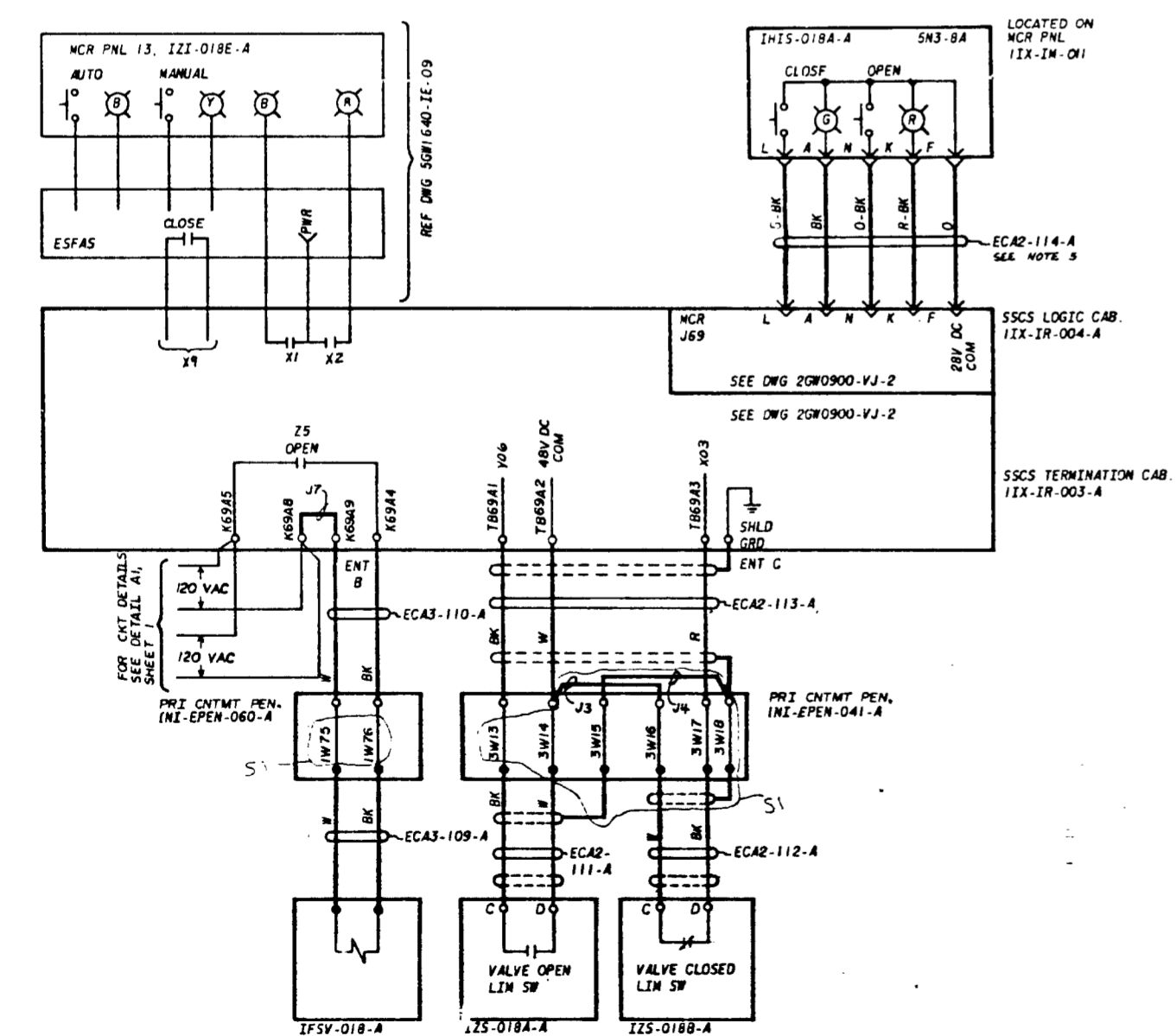
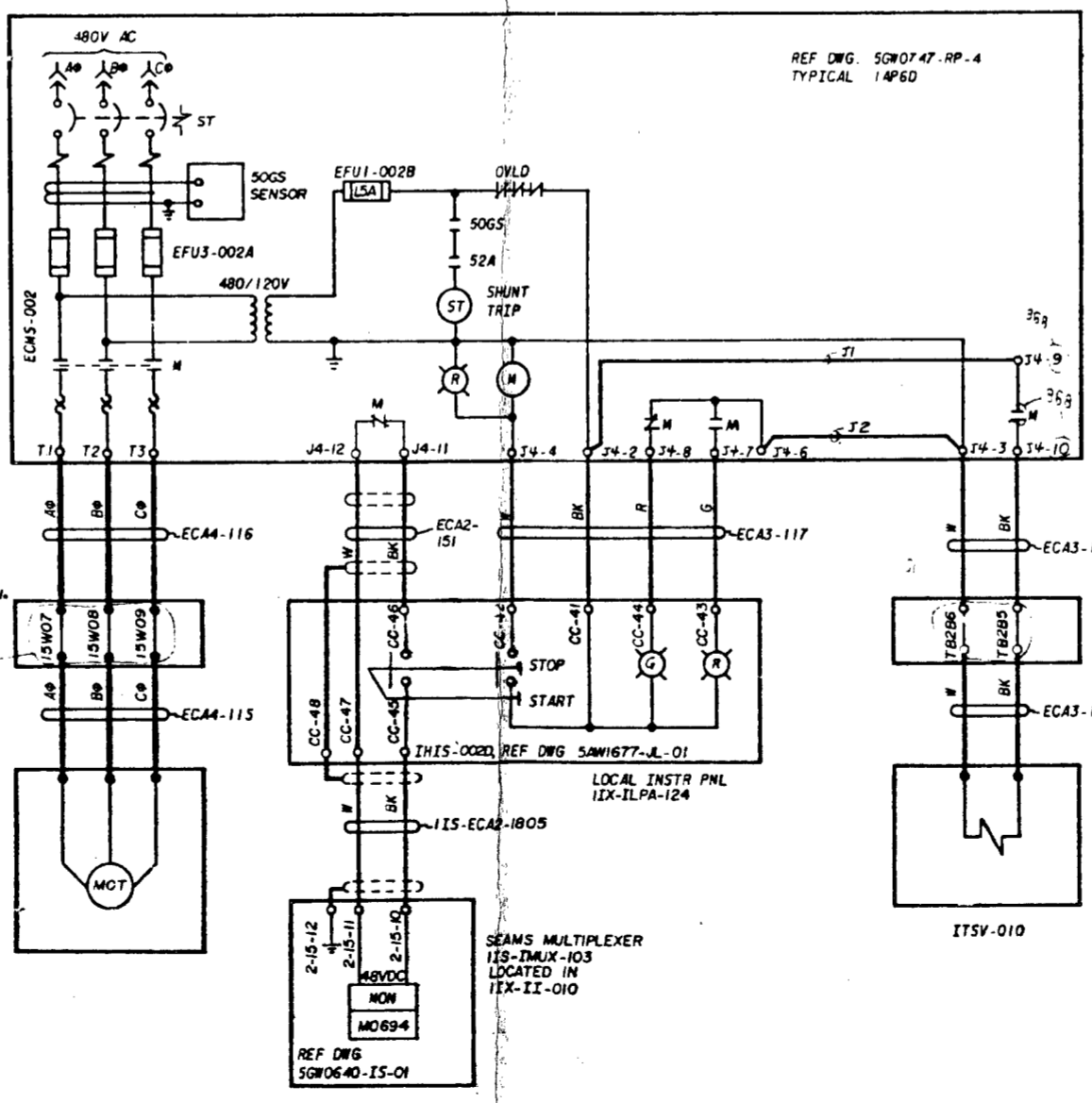


NOTES:
1 FOR GENERAL NOTES AND REFERENCE DRAWINGS SEE 5GWI740-VJ-01

RB INSTR RM CHILLED WATER SUPPLY ISLN VALVE, IFCV-020-B



RB INSTR RM CHILLED WATER SUPPLY ISLN VALVE, IFCV-018-A



REACTOR BLDG INSTR RM AHU, MAHU-002

PRC APERTURE CARD

Project # 50-438
Control # 8304050536
Date 3-25-83 of Document
REGULATORY DOCKET FILE

2	SI, 068	7-7-80	REVISION	ADD SPICE SYMBOLS TO VARIOUS PENETRATIONS, & MADE MINOR CHANGES, CHANGED PEN. TERM. NO.
1	SI, 5	1-1-79	REVISION	CHANGED FUSE SIZE IN MCC PER ECN 518. CHANGED CABLING ARRGT TO ELIMINATE AND GATE IN SEAMS SOFTWARE, REMOVED LOCATIONS, PLUS OTHER MINOR CHANGES PER ECN 51.

SCALE EXCEPT AS NOTED

GENERAL UNIT I

SYSTEM SCHEMATIC
REACTOR BLDG AIR CONDITIONING & COOLING SYSTEM

BELLEFONTE NUCLEAR PLANT
TENNESSEE VALLEY AUTHORITY
DIVISION OF ENGINEERING DESIGN

REVIEWED	RECEIVED	RELEAS	APPROVED

KNOXVILLE 3-8-78 88 E 5GWI740-VJ-06 R2