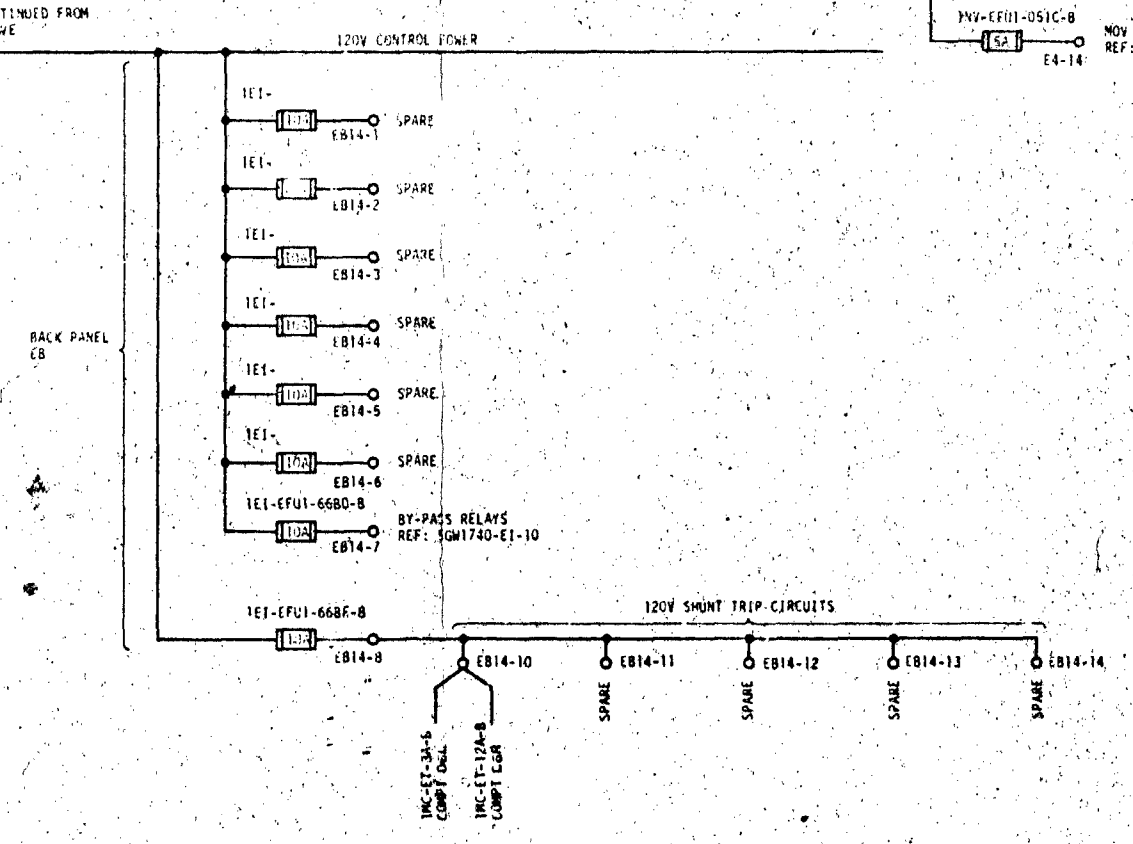
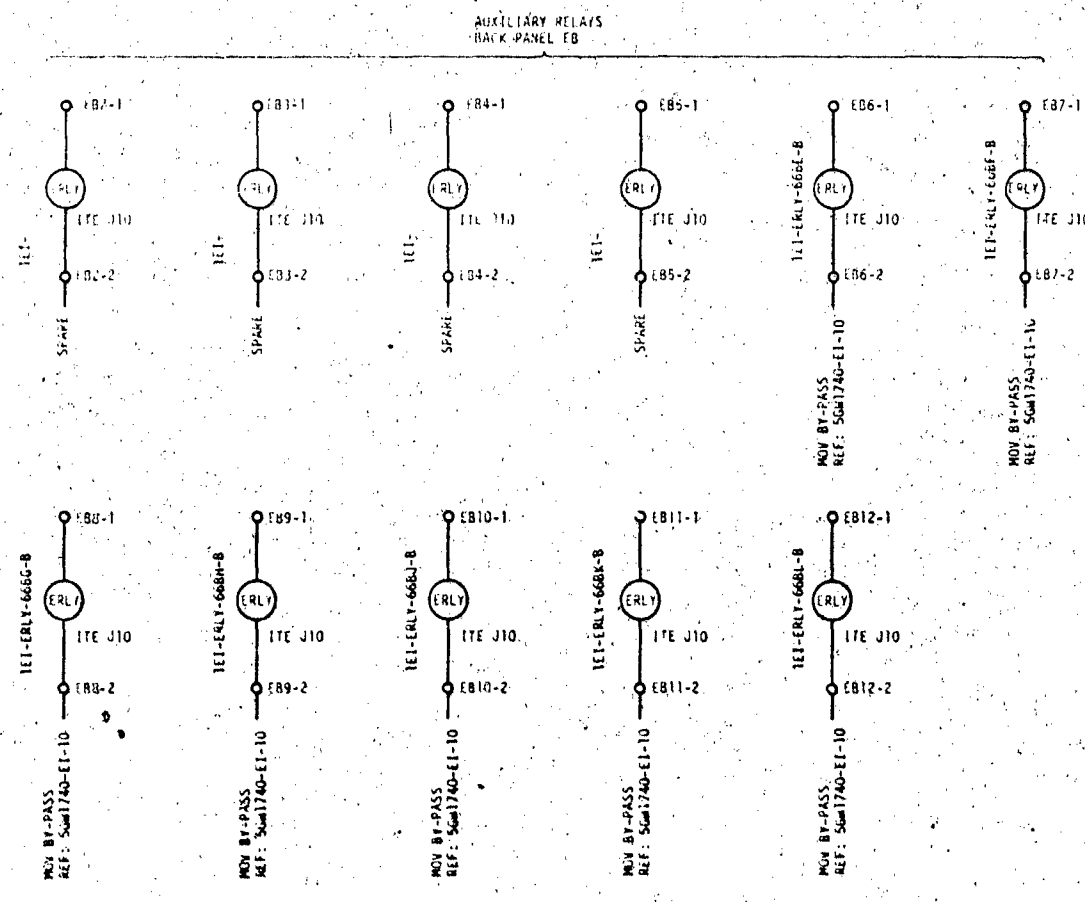
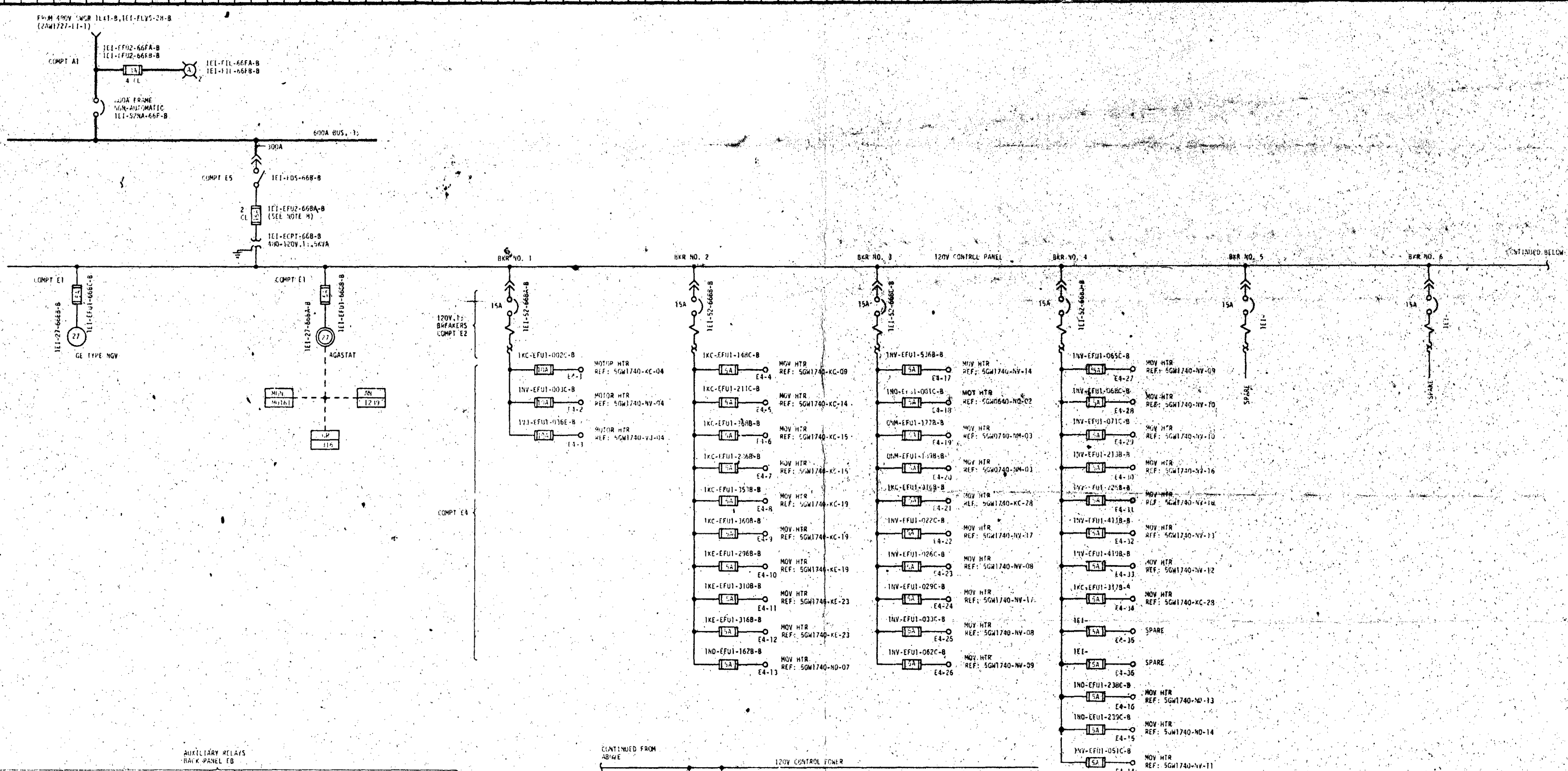


NOTES:
1. FOR GENERAL NOTES, REFER TO EMCS AND SYMBOLS SEE DWG. SAW1733-EI-01.



Sheet # 58-438
 Control # 8304650534
 Date 3-25-83 of Document
 REGULATORY DOCKET FILE

PRC APERTURE CARD

NO.	ECN NO.	DATE	BY	CHKD	APPD	DATE	BY	CHKD	APPD
DESIGN					INSPECT				
DRAWN					ENGINEER				
CHECKED									
SUPV									
SCALE: NTS EXCEPT AS NOTED									
AUXILIARY BUILDING UNIT 1									
SINGLE LINE 480V MCC 1E1-B 1E1-EMCC-66-B									
Bellefonte Nuclear Plant Tennessee Valley Authority DIVISION OF ENGINEERING DESIGN									
REVIEWED					APPROVED				
INSPECTED AND APPROVED FOR ISSUE									
KNOXVILLE 3.7.82 88 E SAW1733-EI-03 NO									

PRINT									
DATE									