

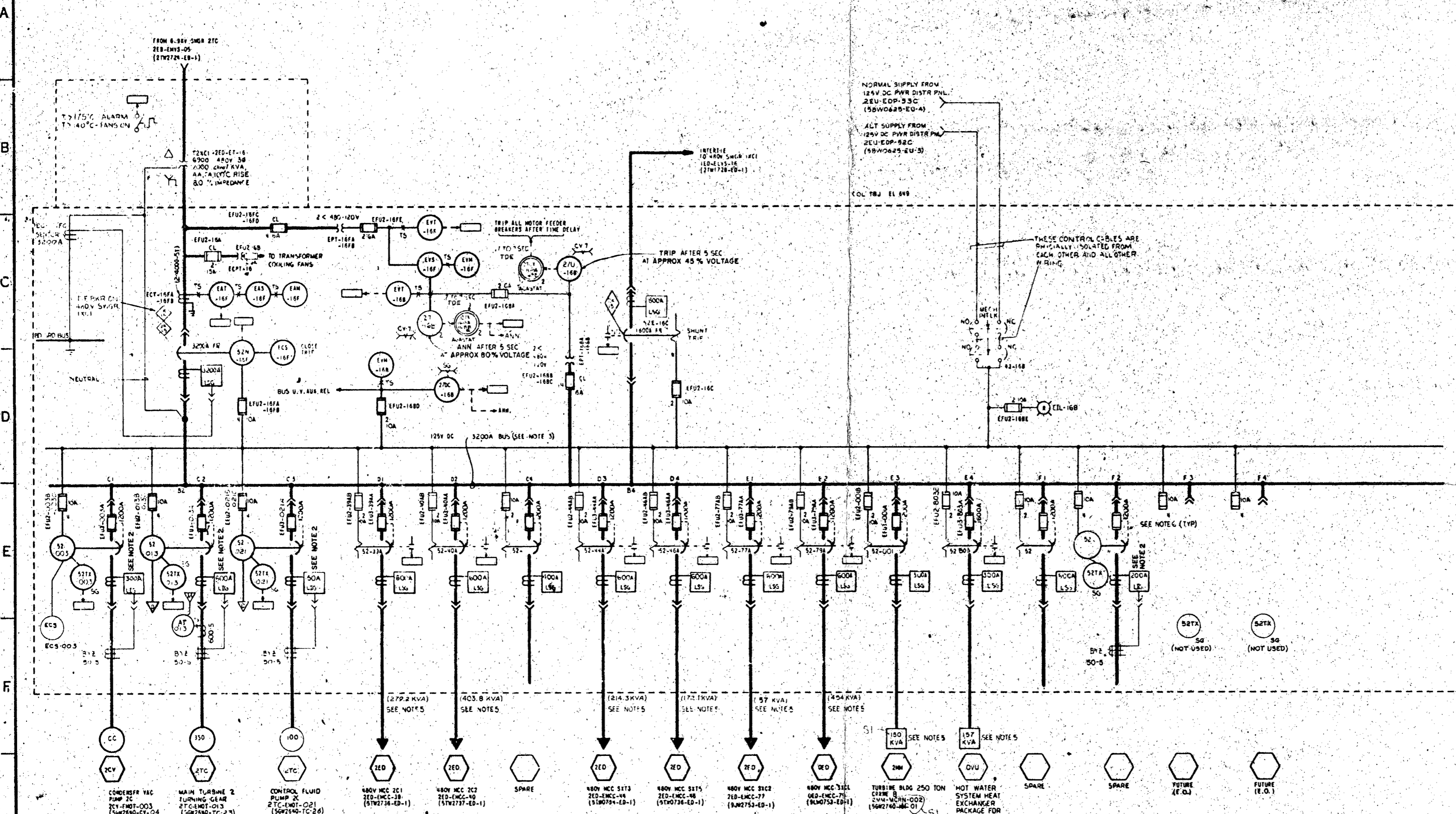
REFERENCE DRAWINGS	
21W728-ED-1	PLANT AC SUPPLY POWER SYSTEM SINGLE LINE
21W728-ED-2	480V DISTR SYSTEM SINGLE LINE

- NOTES:
- 480V SWGR PROVIDED ON COMPACT NO. 763-0552G.
  - ALL CBT BARS ARE 3-POLE, 800A FR WITH REAR MOUNTED CURRENT LIMITING FUSE ON LINE SIDE OF EACH POLE, EXCEPT AS NOTED. 800A FR BARS HAVE 200,000 RMS STM INTERRUPTING RATING AT 480V. 1600A FR BARS HAVE 50,000A RMS STM INTERRUPTING RATING AT 480V. 1200A FR BARS HAVE 65,000A RMS STM INTERRUPTING RATING AT 480V. ALL REMOTELY OPERATED BARS ARE EQUIPPED WITH A MECHANICAL LOCKOUT ATTACHMENT ACTUATED WHEN BMR IS TRIPPED AUTOMATICALLY BY THE AMPECTOR.
  - BUS TO BE 3P WITH HALF NEUTRAL. ALL LOADS THAT ARE 3P & WIRE ARE SO INDICATED.
  - EACH DEVICE ASSOCIATED WITH THE SWGR BUS, TRANSFORMER, AND THE NORMAL OF THE CBT BARS, IS PART OF THE 480V NORMAL AC AND PWR DISTRIBUTION SYS WITH UNIT AND SYS DESIGNATION. THE DEVICE UNIT IS FORMED BY PREFFING THE DESIGNATIONS SHOWN ON THE DRAWING WITH 2ED, EXCEPT AS NOTED. ALL OTHER DEVS WITH THEIR ASSOCIATED DEVICES ARE PART OF THE SYSTEM WHICH THEY SUPPLY. THE UNIT IS FORMED BY PREFFING THE DESIGNATIONS SHOWN ON THE DRAW WITH THE UNIT AND SYS DESIGNATION SHOWN IN THE HEADROOM SYMBOL. EXCEPT AS NOTED, THE UNIT COMPARTMENT NO. UNID DESIGNATIONS ARE FORMED AS FOLLOWS USING THE COMPARTMENT NO. (11) AND THE BOARD NO. (11): 2ED-ELV3-111P.
  - KVA LOADS SHOWN ARE LST MATHZ MAXIMUM DEMAND.
  - BROWN FUSE TRIPS BREAKER.

- SYMBOL:
- ANN - THIS FUNCTION TO BE MONITORED BY ONE OR MORE ANNUNCIATION OR ALARM SYSTEMS
  - KEY INTERLOCK
  - SOLID STATE TRIP DEVICE WITH SENSOR RATING SHOWN:
    - L - LONG TIME DELAY (OVERLOAD)
    - S - SHORT TIME DELAY (SELECTIVE TRIP)
    - I - INSTANTANEOUS (FF, I CURRENT)
    - G - GROUND, FAULT CURRENT
    - INT - INTERFACE FOR STATUS, ENVIRONMENTAL, AND ALARM MONITORING SYS (SEMI)
    - RED INDICATING LIGHT
    - CONNECTION TO REMOTE METER (UNIT CONTROL ROOM)
    - INTERFACE FOR DECATIC SYS
    - UNIT AND SYS DESIGNATION (SEE NOTE 2)

4	51-439	11-20-78	REV 1	ADD CBT BKR CONTROL SWITCH AND MODIFIED SENSOR RATING PER ECN 439. GEN REVISIONS PER 31-VARIOUS.
3	46-445	04-05-78	REV 1	ADDED SWGR TRANSFORMER PER ECN 46. INCORPORATED SEAMS PER ECN 46-VARIOUS. INCORPORATED UNID SYS. GEN REV PER ECN 3-1 VARIOUS UPDATE FOR MAJOR CHANGES PER ECN 134.
2	20	01-08-78	REV 1	ADD TRANSFORMER COOLING FANS
1	12-20	09-09-77	REV 1	480V DISTR SYS FROM DELTA E. CWD WYE AND ALGED CWD FAULT PROT PER ECN 12. REV LOADS PER ECN 20.

TURBINE BUILDING		
UNIT 1		
SINGLE LINE DIAGRAM		
480V SWITCHGEAR 2XC1		
2ED-ELV3-16		
Bellefonte Nuclear Plant		
TENNESSEE VALLEY AUTHORITY		
DIVISION OF ENGINEERING DESIGN		
SUBMITTED	RECOMMENDED	APPROVED
<i>[Signature]</i>	<i>[Signature]</i>	<i>[Signature]</i>
KNOXVILLE	2-19-79	21W728-ED-1
45W728-3	THIS DRAWING IS UNDER CONFIGURATION CONTROL	



Docket # 50-48  
Control # 830 40585-36  
Date 3-25-73 of Document  
REGULATORY DOCKET FILE

P.R.C.  
APERTURE  
CARD

8	1244	12-02-78	REV 1	REPLACED 1200A FUSES IN COMPT 24 WITH 800A FUSES
7	1133	01-01-78	REV 1	REPLACED 5 AMP FUSES WITH 2 AMP FUSES MINOR CHANGE

THIS DRAWING IS UNDER CONFIGURATION CONTROL