

REFERENCE DRAWING	
FIGURE NUMBER	1116
PROJECT NUMBER	21W2726-ED-1
DATE	NOV 24 1978
BY	J.M. DODD
CHECKED	J.M. DODD

- NOTES:
- 480V SWGR PROVIDED ON CONTRACT NO. 76K3 05526
 - ALL CAT BARS ARE 3-POLE, 200A FR WITH REAR MOUNTED CURRENT LIMITING FUSE ON LINE SIDE ON EACH POLE, EXCEPT AS NOTED.
 - 200A FR BARS HAVE 200,000 RMS 5TH INTERRUPTING RATING AT 480V. 1600A FR BARS HAVE 50,000 RMS 5TH INTERRUPTING RATING AT 480V. 3200A FR BARS HAVE 65,000 RMS 5TH INTERRUPTING RATING AT 480V.
 - ALL REMOTELY OPERATED BARS ARE EQUIPPED WITH AN ELECTRICAL LOCKOUT ATTACHMENT ACTUATED WHEN BAR IS STRIPPED AUTOMATICALLY BY THE AMPTECTOR.
 - BUS TO BE 3P WITH HALF NEUTRAL. ALL LOADS THAT ARE 3P 4 WIRE ARE SO INDICATED.
 - EACH DEVICE ASSOCIATED WITH THE SWGR BUS, TRANSFORMER, AND TIE NORMAL OR TIE CAT BARS, IS PART OF THE 480V NORMAL AC AUX PWR DISTRIBUTION SYS WITH UNIT AND SYS DESIGNATION, 2ED. THE DEVICE UNIT IS FORMED BY PREFIXING THE DESIGNATIONS SHOWN ON THE DWG WITH 2ED, EXCEPT AS NOTED. ALL OTHER BARS WITH THEIR ASSOCIATED DEVICES ARE PART OF THE SYSTEM WHICH THEY SUPPLY. THE UNIT IS FORMED BY PREFIXING THE DESIGNATIONS SHOWN ON THE DWG WITH THE UNIT AND SYS DESIGNATION SHOWN IN THE NEAREST SYMBOL, EXCEPT AS NOTED. THE SWGR COMPARTMENT NO. UNIT DESIGNATIONS ARE FORMED AS FOLLOWS USING THE COMPARTMENT NO. (41) AND THE BOARD NO. (17): 2ED-ELV5-17A.
 - KVA LOADS SHOWN ARE ESTIMATED MAXIMUM DEMAND.
 - BLOWN FUSE TRIPS BREAKER.

- SYMBOLS:
- SOLID STATE TRIP DEVICE WITH SENSOR RATING SHOWN
 - L - LONG TIME DELAY (OVERLOAD)
 - S - SHORT TIME DELAY (SELECTIVE TRIP)
 - I - INSTANTANEOUS (FAULT CURRENT)
 - G - GROUND (FAULT CURRENT)
 - INTERFACE FOR STATUS, ENVIRONMENTAL, AND ALARM MONITORING SYS (SEAMS)
 - RED INDICATING LIGHT
 - ▽ INTERFACE WITH DECONTIC
 - ⬢ UNIT AND SYS DESIGNATION (SEE NOTE 6)
 - ⊠ KEY INTERLOCK
 - AMB. THIS FUNCTION TO BE MONITORED BY ONE OR MORE ANNUNCIATION OR ALARM SYSTEMS
 - ▽ INTERFACE WITH REMOTE CONTROL

NO.	REV.	DATE	BY	CHKD	DESCRIPTION
1	1	11/23/78	J.M. DODD	J.M. DODD	REPLACED 3 AMP FUSES WITH 6 AMP FUSES
2	1	12/22/78	J.M. DODD	J.M. DODD	DELETE SWGR POWER DISTRIBUTION CAB FOR AND RETAIN AS SPARE PER ECN 242. ADD CAT BKR CONTROL SWITCH AND MODIFIED SENSOR RATING PER ECN 439. GEN REVISIONS PER SEVERAL
3	1	11/13/78	J.M. DODD	J.M. DODD	INCORPORATED SEAMS PER PLAN NO. 11/13/78. INCORPORATED UNIT SYS. NEW REV PER ECN 5-1. VARIOUS UPDATE FOR MAJOR CHANGES PER ECN 154.
4	1	12/20	J.M. DODD	J.M. DODD	ADD TRANSFORMER COOLING FANS
5	1	12/20	J.M. DODD	J.M. DODD	242. 480V DISTR SYS FROM DELTA TO GRID WYE AND ADDED GND FAULT PROT PER ECN 11. BEY 1.0A'S PER ECN 20

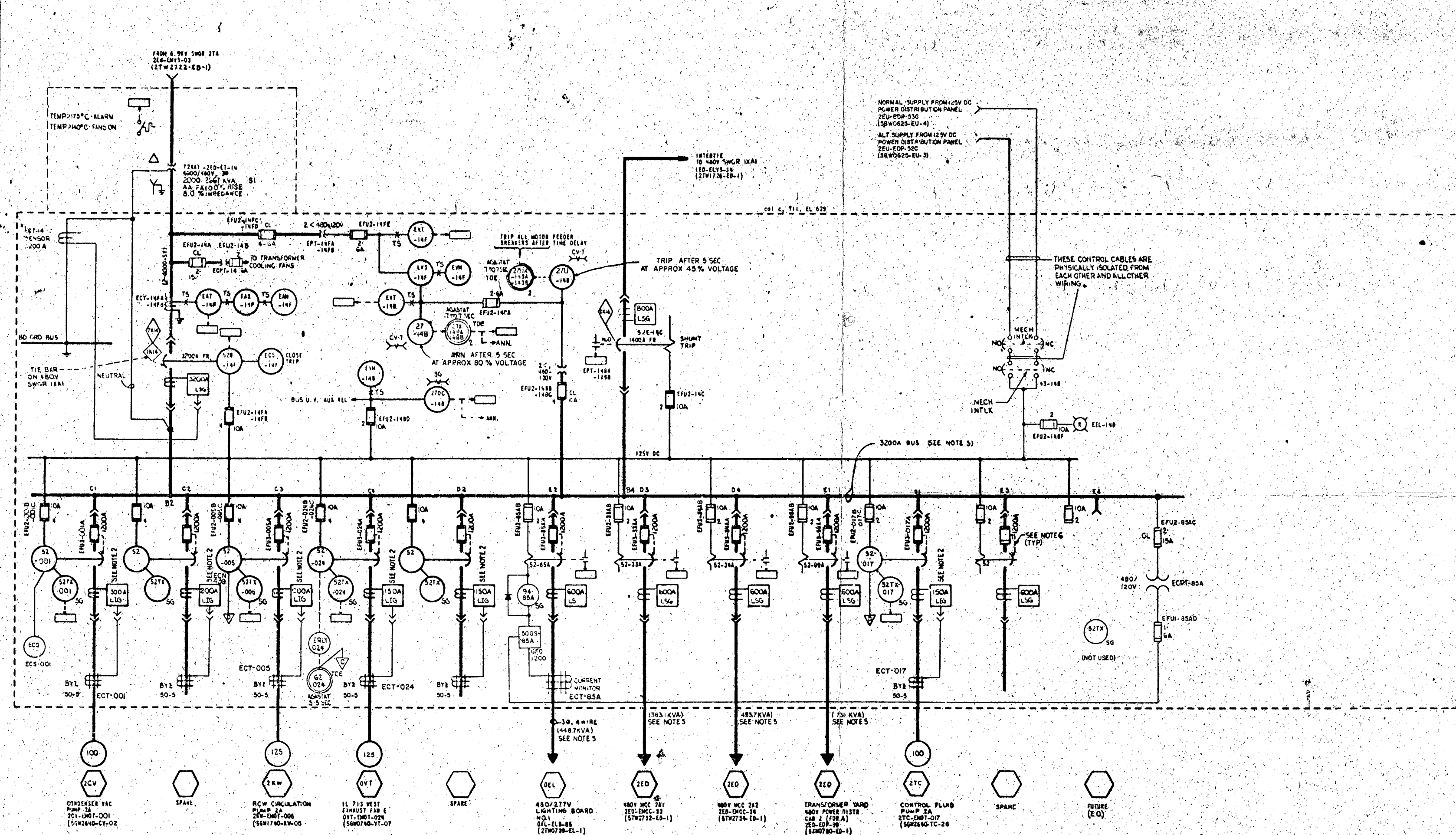
TURBINE BUILDING
UNIT 2

SINGLE LINE DIAGRAM
480V SWITCHGEAR 2XAI
2ED-ELV5-14

BELLEFONTE NUCLEAR PLANT
TENNESSEE VALLEY AUTHORITY
DIVISION OF ENGINEERING DESIGN

INSPECTED AND APPROVED FOR (SIGNATURE)
RECOMMENDED (SIGNATURE)
APPROVED (SIGNATURE)

NOV 27 1978
KNOXVILLE 2-17-78
45W728-1



Docket # 50-438
Control # 830-452536
Date 3-25-83 of Document
REGULATORY DOCKET FILE

P.R.C
APERTURE
CARD

INSPECTED AND APPROVED FOR (SIGNATURE)
RECOMMENDED (SIGNATURE)
APPROVED (SIGNATURE)

NOV 27 1978
KNOXVILLE 2-17-78
45W728-1