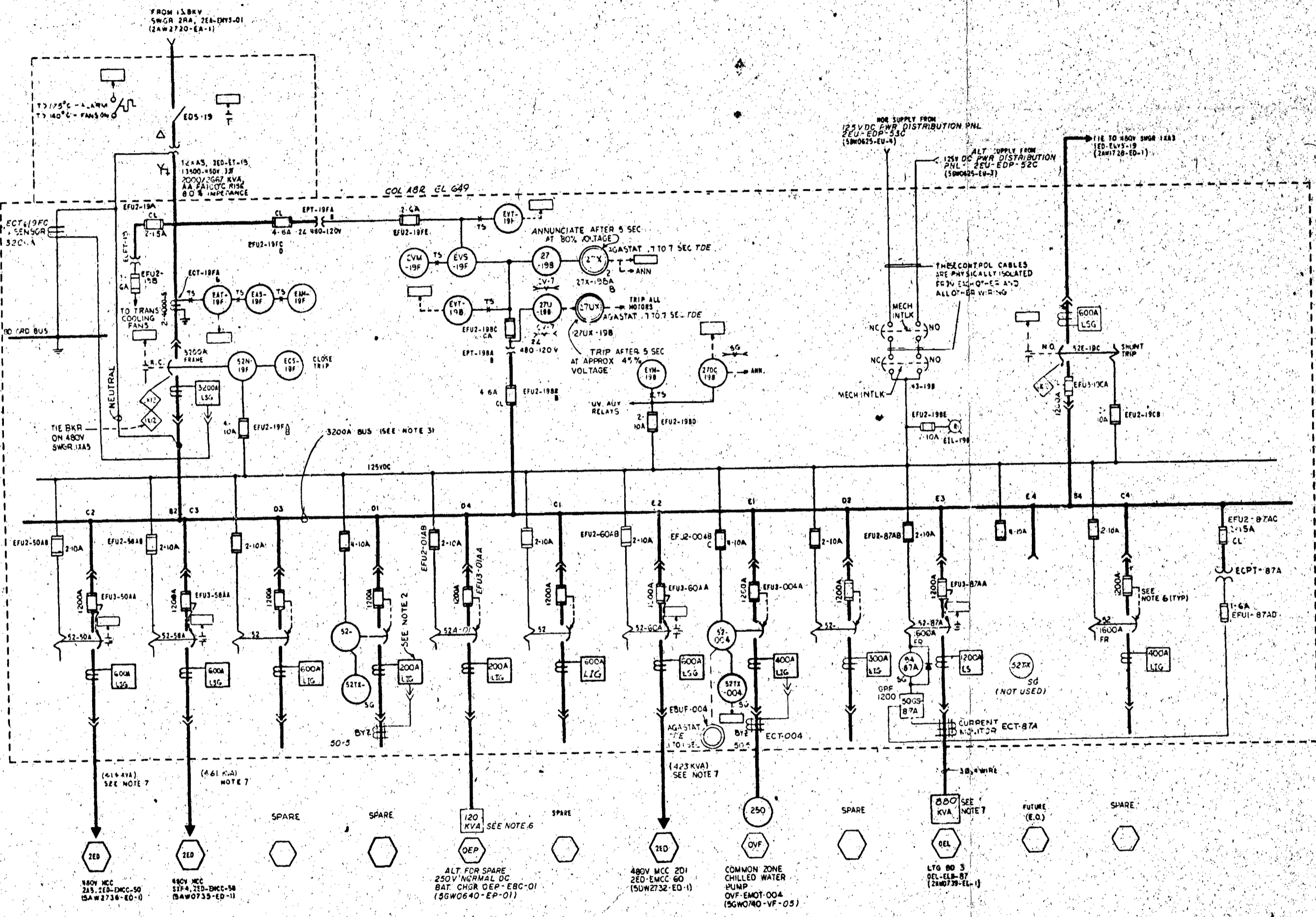


A
B
C
D
E
F
G



SYMBOL NUMBER	REFERENCE SYMBOLS
EFU2-198A	PLANT AS SUPPLIED FROM SYSTEM SINGLE LINE
EFU2-198B	480V THREE PHASE SYSTEM SCHEMATIC

- NOTES:
- 480V SWGR PROVIDED ON CONTRACT NO. 76N3-85526
 - ALL CRT BARS ARE 3-POLE, 300A FR WITH REAR MOUNTED CURRENT LIMITING FUSE ON LINE SIDE OF EACH POLE, EXCEPT AS NOTED. 300A FR BARS HAVE 200,000 RMS SYM INTERRUPTING RATING AT 480V. 300A FR BARS HAVE 65,000A RMS SYM INTERRUPTING RATING AT 480V. AS NOTED, BARS ARE EQUIPPED WITH AN ELECTRICAL LOCKOUT ATTACHMENT ACTUATED WHEN BARR IS TRIPPED AUTOMATICALLY BY THE AMPLECTOR.
 - BUS IS 3Ø WITH HALF NEUTRAL. ALL LOADS THAT ARE 3Ø, 4-WIRE ARE SO INDICATED.
 - RELAYS SHALL BE THE TYPES SHOWN ON THIS DRAWING OR THE APPROVED EQUAL.
 - EACH DEVICE ASSOCIATED WITH THE SWGR BUS, TRANSFORMER, AND THE MGR OR THE CRT BARS, IS PART OF THE 480V NORMAL AC AUX PWR DISTRIBUTION SYS WITH UNIT AND SYS DESIGNATION, 2ED. THE DEVICE UNID IS FORMED BY PREFIXING THE DESIGNATIONS SHOWN ON THE DNG WITH 2ED, AND PART OF THE SYS WHICH THEY SUPPLY. THE UNID IS FORMED BY PREFIXING THE DESIGNATIONS SHOWN ON THE DNG WITH THE UNIT AND SYS DESIGNATION SHOWN IN THE REASON SYMBOL, EXCEPT AS NOTED. THE SWGR COMPARTMENT NO UNID DESIGNATIONS ARE FORMED AS FOLLOWS USING THE COMPARTMENT NO (XX) AND THE BOARD NO (YY): 2ED-ELVS-YYX.
 - BLOWN FUSE TRIPS BREAKER.

- KVA LOADS SHOWN ARE ESTIMATED MAXIMUM DEMAND.
- THIS EQPT IS NON-CLASS I.E. LOCATED IN A CATEGORY I STR. SYMBOLS:
 - - SOLID STATE TRIP DEVICE WITH SENSOR RATING SHOWN
 - L - LONG TIME DELAY (OVERLOAD)
 - S - SHORT TIME DELAY (SELECTIVE TRIP)
 - I - INSTANTANEOUS (FAULT CURRENT)
 - G - GROUND FAULT CURRENT
 - - INTERFACE FOR STATUS, ENVIRONMENTAL, AND ALARM MONITORING SYS (SEAMS)
 - ⊕ - UNIT AND SYS DESIGNATION (SEE NOTE 5)
 - ⊙ - RED INDICATING LIGHT
 - ⊠ - KEY INTERLOCK
- ANN. - THIS FUNCTION TO BE MONITORED BY ONE OR MORE ANNUNCIATION OR ALARM SYSTEMS

6.1133	REPLACED 5 AMP FUSES WITH 5 AMP FUSES		
5.1881.81	CHANGED AMPLECTOR IN COMP C1 TO LG, 8 MINOR CHANGES		
4.151.422	GEN REV PER ECN 31-VARIOUS. ADD SPARE 250V NORM DC BAT CHARGER FEEDER PER ECN 422.		
3.14.20	SHIFTED LOADS FROM 480V SWGR 2XB2 TO THIS SWGR. PER ECN 21, ADDED COOLING FANS TO 480V TRANSFORMERS. PER EFM 20.		
2.20.21	CHG 480V DISTR SYS FROM DELTA TO GND WYE, AND ADDED GND FAULT PROT PER ECN 12. REV LOADS PER ECN 20.		
1.11.20	INCORPORATED SEAMS PER ECN 18 - PARTING, INCORPORATED UNID 312, GEN REV PER ECN 31 - VARIOUS. UPDATE FOR WACR CHANGES PER ECN 20.		
REVISION	DATE	BY	APP
2564	0.8.1984	D.M. LASHLEY	WEP
2565	0.8.1984	D.M. LASHLEY	WEP
2566	0.8.1984	D.M. LASHLEY	WEP
2567	0.8.1984	D.M. LASHLEY	WEP
2568	0.8.1984	D.M. LASHLEY	WEP
2569	0.8.1984	D.M. LASHLEY	WEP
2570	0.8.1984	D.M. LASHLEY	WEP

Doc # 80-438
 Cont # 8304052576
 2-25-83 of Document
 DAILY DOCKET FILE

PRC
 APERTURE
 CARD

AUXILIARY BUILDING
 UNIT 2
 SINGLE LINE DIAGRAM
 480V SWITCHGEAR 2XA3
 2ED-ELVS-19

BELLEFONTE NUCLEAR PLANT
 TENNESSEE VALLEY AUTHORITY
 DIVISION OF ENGINEERING DESIGN

INSPECTED AND APPROVED FOR ISSUE
 [Signature]
 DESIGN PROJECT MANAGER

SUBMITTED [Signature]
 RECOMMENDED [Signature]
 APPROVED [Signature]

KNOXVILLE 2-6-79 88 E 2AW2728-ED-1
 45W730-3