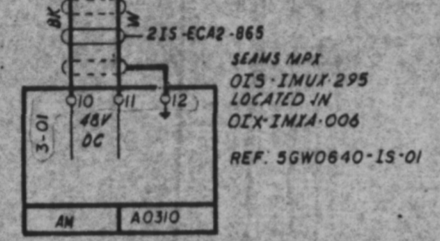
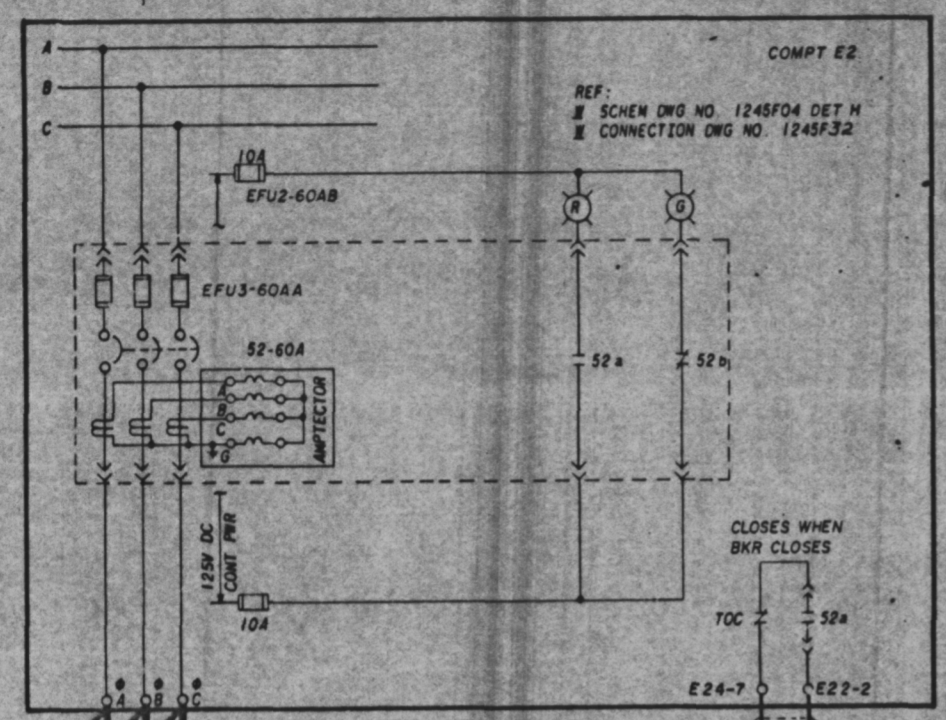
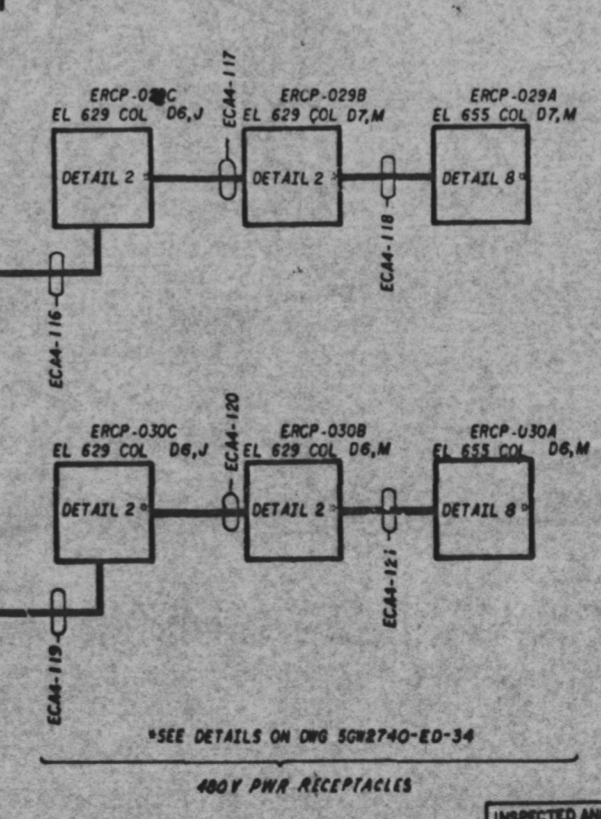
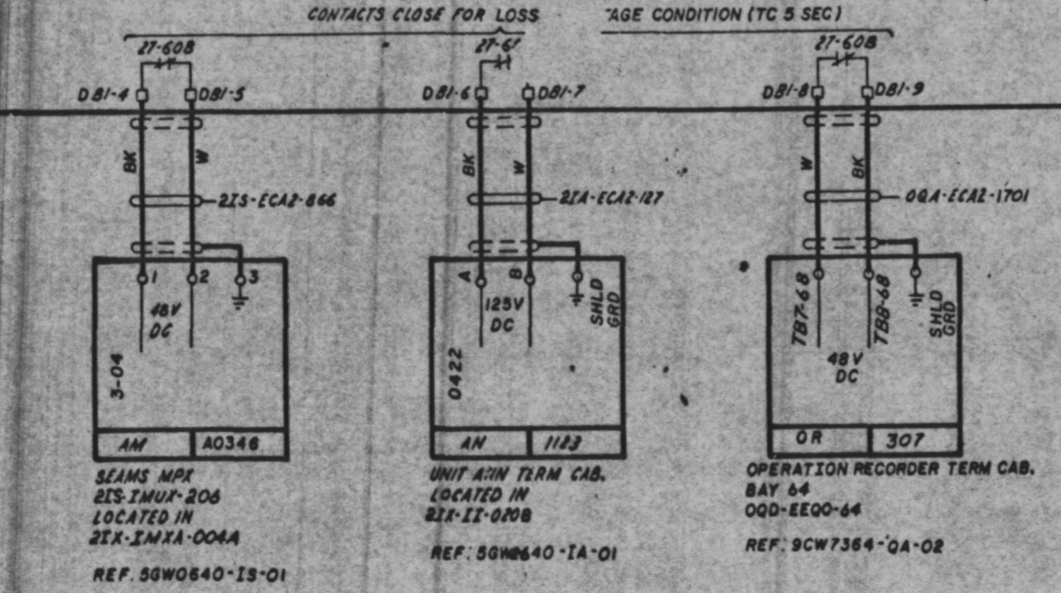
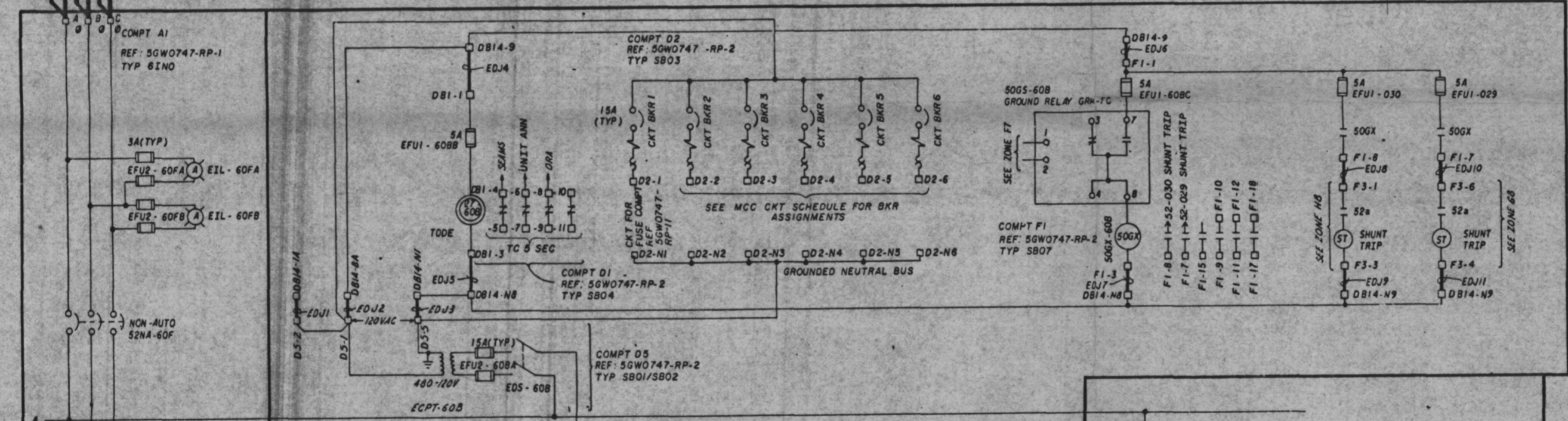


NOTES:
1. FOR GENERAL NOTES AND SYMBOLS SEE DWG 5GW2740-ED-01.



480V MCC 2D1
EMCC-60



Docket # 52-438
Control # 83045034
D 5-25-83 of Document
REGULATORY DOCKET FILE

PRC
APERTURE
CARD

2	056	11-15-82																		
RELOCATED SEAMS POINT A0310																				
CHANGE ROUTING OF CABLE NO. 116 & 119																				
NO.	ECH NO.	DATE	DESIGNED	CHECKED	SUPV	ENGR	INSPECTION	REVIEW	APPV											
DESIGN											INSP.									
DRAWN											ENGR.									
CHKD											INSPECTION									
TRUP											W. B. Reddy									
SCALE: EXCEPT AS NOTED																				

GENERAL
UNIT 2
SYSTEM SCHEMATIC
480V NORMAL AC
AUX POWER DISTRIBUTION SYSTEM

BELLEFONTE NUCLEAR PLANT
TENNESSEE VALLEY AUTHORITY
DIVISION OF ENGINEERING DESIGN

INSPECTED AND APPROVED FOR ISSUE

SUBMITTED: W. B. Reddy
RECOMMENDED: [Signature]
APPROVED: [Signature]

KNOXVILLE 12-12-78 88 E 5GW2740-ED-25 NB

RECORD DRAWING IS UNCONTROLLED