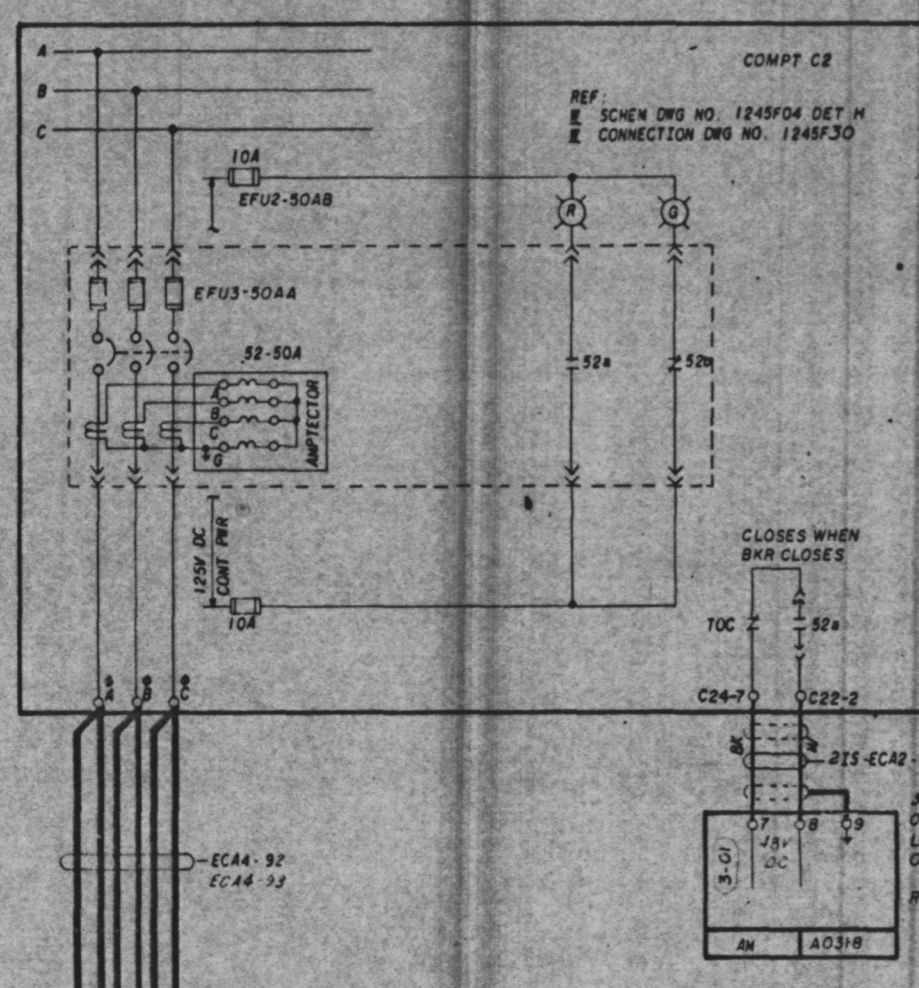
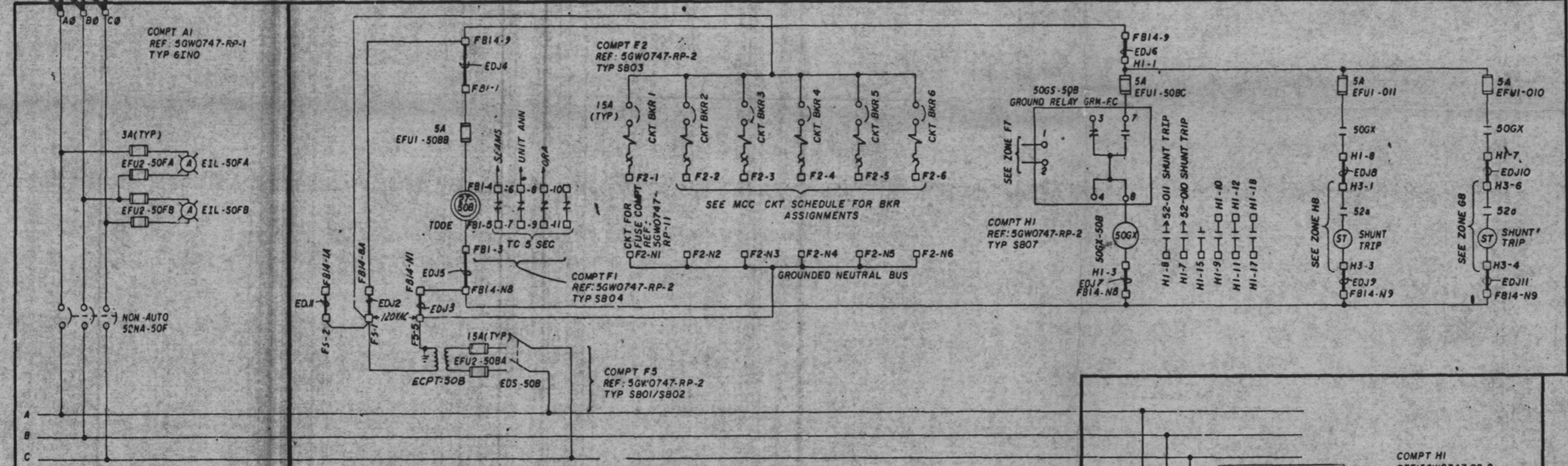


NOTES:
1 FOR GENERAL NOTES AND SYMBOLS SEE DWG 5GW2740-ED-01.

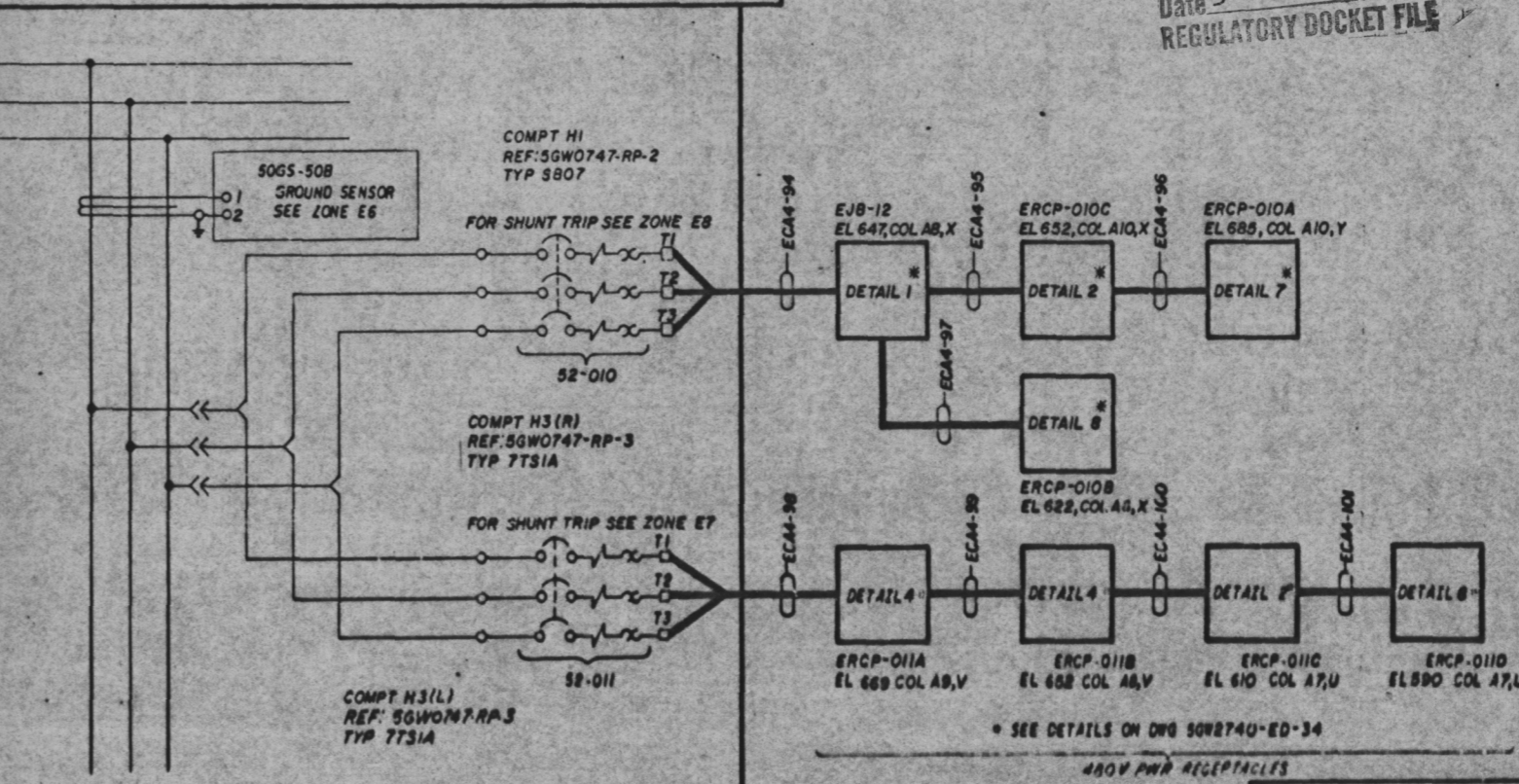


480V MCC 2A5 EMCC-50



Docket # 58-438
Control # 8304050536
Date 3-25-83
REGULATORY DOCKET FILE

PRC APERTURE CARD



1	888	11-28	5GW2740-ED-24	11	11
RELOCATED BEAMS POINT A0318					
REV	NO	DATE	BY	CHKD	APPD
1					
SCALE: EXCEPT AS NOTED					
GENERAL UNIT 2					
SYSTEM SCHEMATIC					
480V NORMAL AC					
AUX POWER DISTRIBUTION SYSTEM					
BELLEFONTE NUCLEAR PLANT					
TENNESSEE VALLEY AUTHORITY					
DIVISION OF ENGINEERING DESIGN					
SUBMITTED: [Signature]					
RECOMMENDED: [Signature]					
APPROVED: [Signature]					
INSPECTED AND APPROVED FOR ISSUE: [Signature]					
KNOWVILLE 3-15-83 88 5GW2740-ED-24					