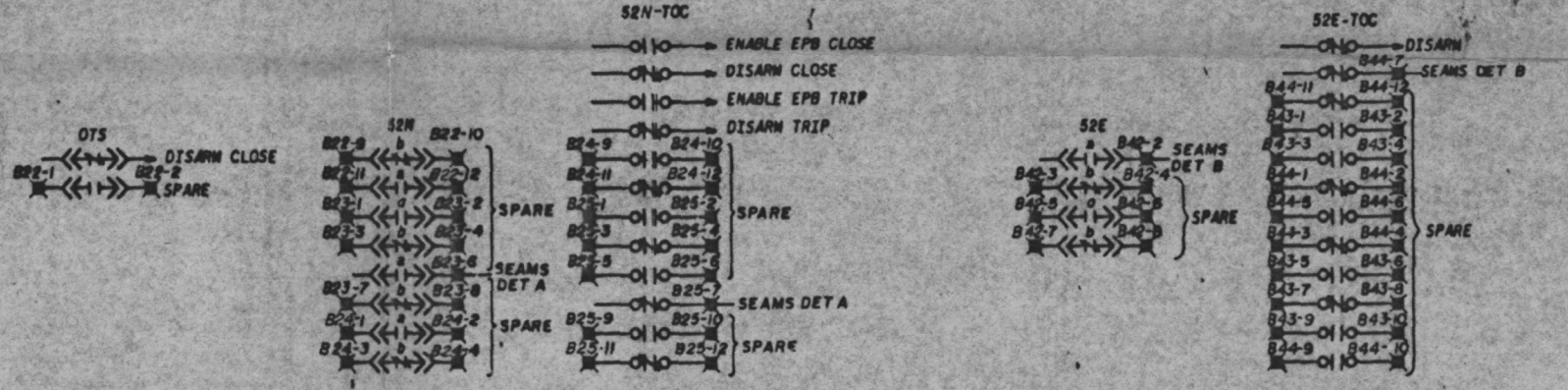
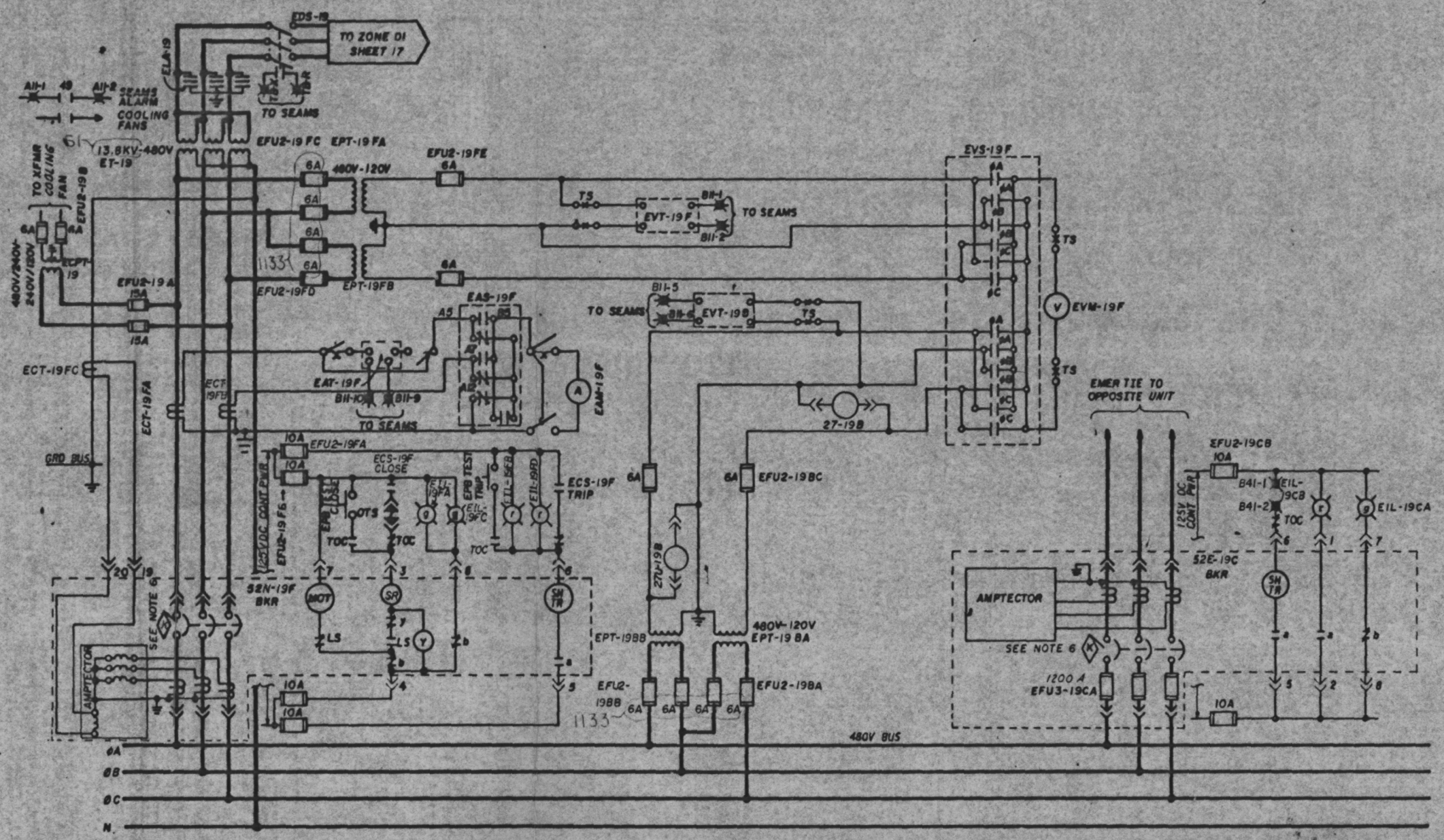


NOTES:  
1. FOR NOTES AND SYMBOLS SEE SHEET 01.

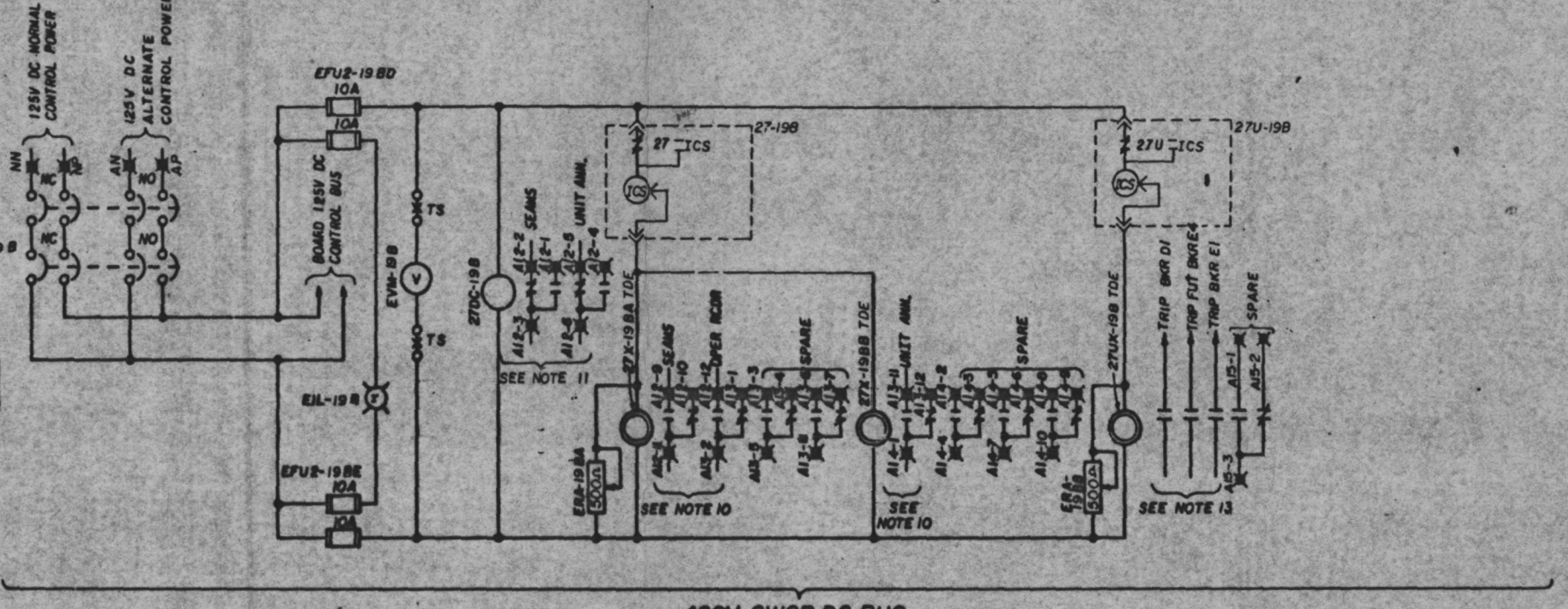
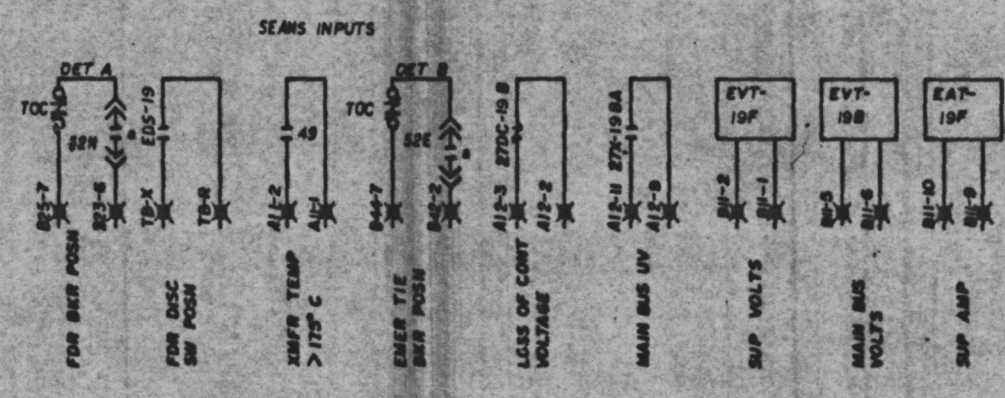
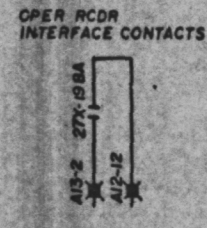
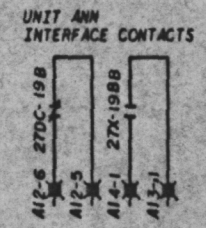
SYMBOLS:  
\* - LOW VOLTAGE SWITCHGEAR TERMINAL



480V SWGR SUPPLY  
BKR 52N FOR 2XA3

480V SWGR EMER TIE  
BKR 52E FOR 2XA3

PRC  
APERTURE  
CARD



480V SWGR DC BUS  
FOR 2XA3

Docret # 52-438  
Control # 83-465053  
Doc 5-25-83 of Document  
R. QUINCY BOCKET FILE

|     |          |         |                                                       |        |        |         |
|-----|----------|---------|-------------------------------------------------------|--------|--------|---------|
| REV | ECN NO.  | DATE    | DESCRIPTION                                           | CHG BY | CHK BY | APPV BY |
| 2   | 1133, 51 | 3-2-91  | REPLACED 3 AMP FUSES WITH 6 AMP FUSES. MINOR CHANGES. |        |        |         |
| 1   | 51       | 7-31-79 | 2006 FRT and 1000 1000 - 1000 1000                    |        |        |         |

SCALE: EXCEPT AS NOTED  
GENERAL UNIT-2  
SYSTEM SCHEMATIC  
480V NORMAL AC AUXILIARY  
POWER DISTRIBUTION SYSTEM  
BELLEFONTE NUCLEAR PLANT  
TENNESSEE VALLEY AUTHORITY  
DIVISION OF ENGINEERING DESIGN

SUBMITTED: W.L. Aldridge  
RECOMMENDED: [Signature]  
APPROVED: [Signature]

INSPECTED AND APPROVED FOR ISSUE: [Signature]  
KNOXVILLE 12-20-78 88 E 56W2740-ED-16

|     |    |      |             |
|-----|----|------|-------------|
| REV | NO | DATE | DESCRIPTION |
|     |    |      |             |
|     |    |      |             |