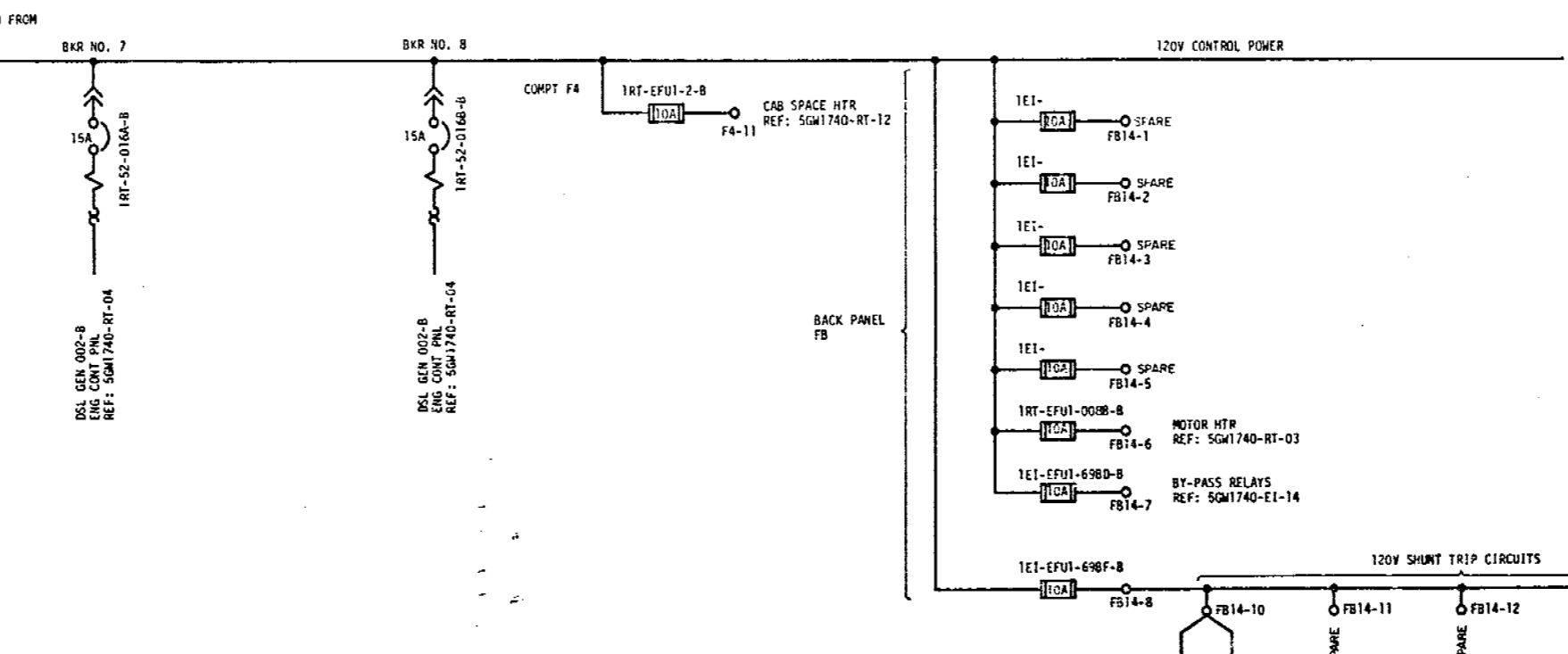
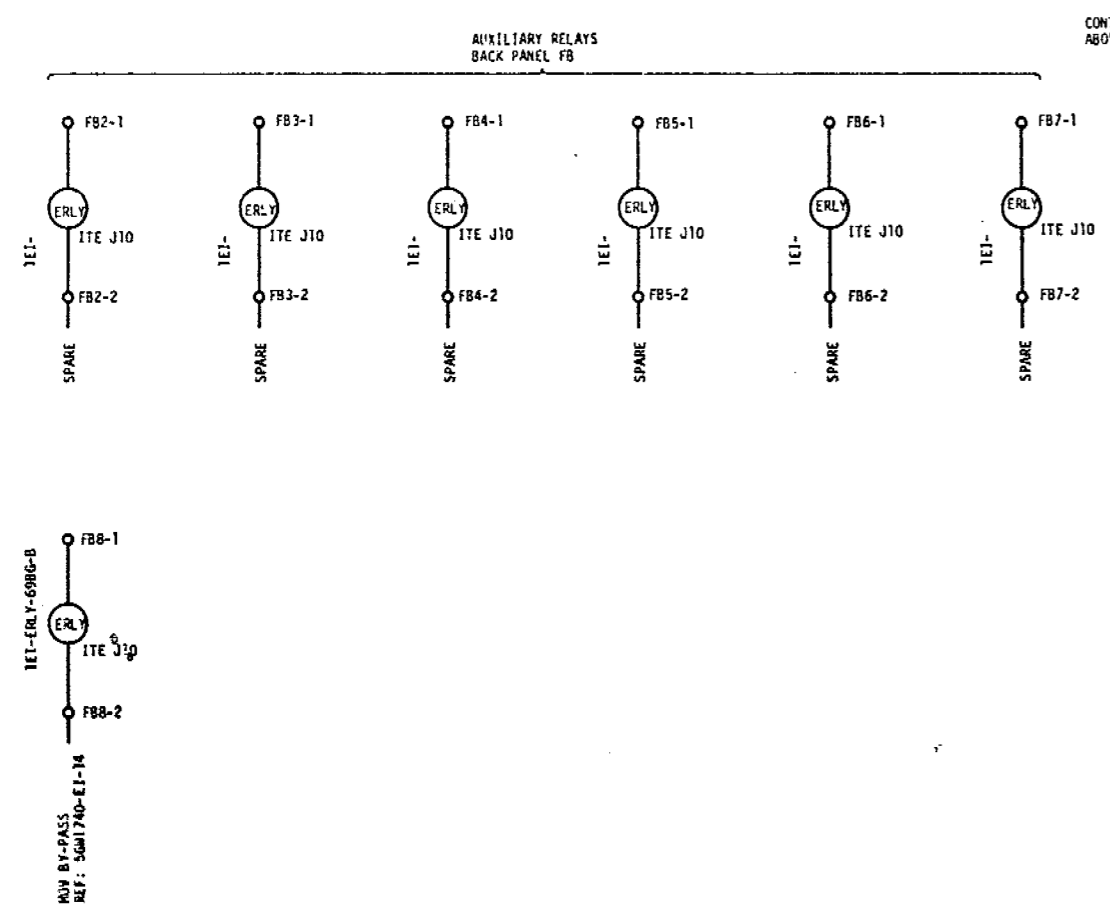
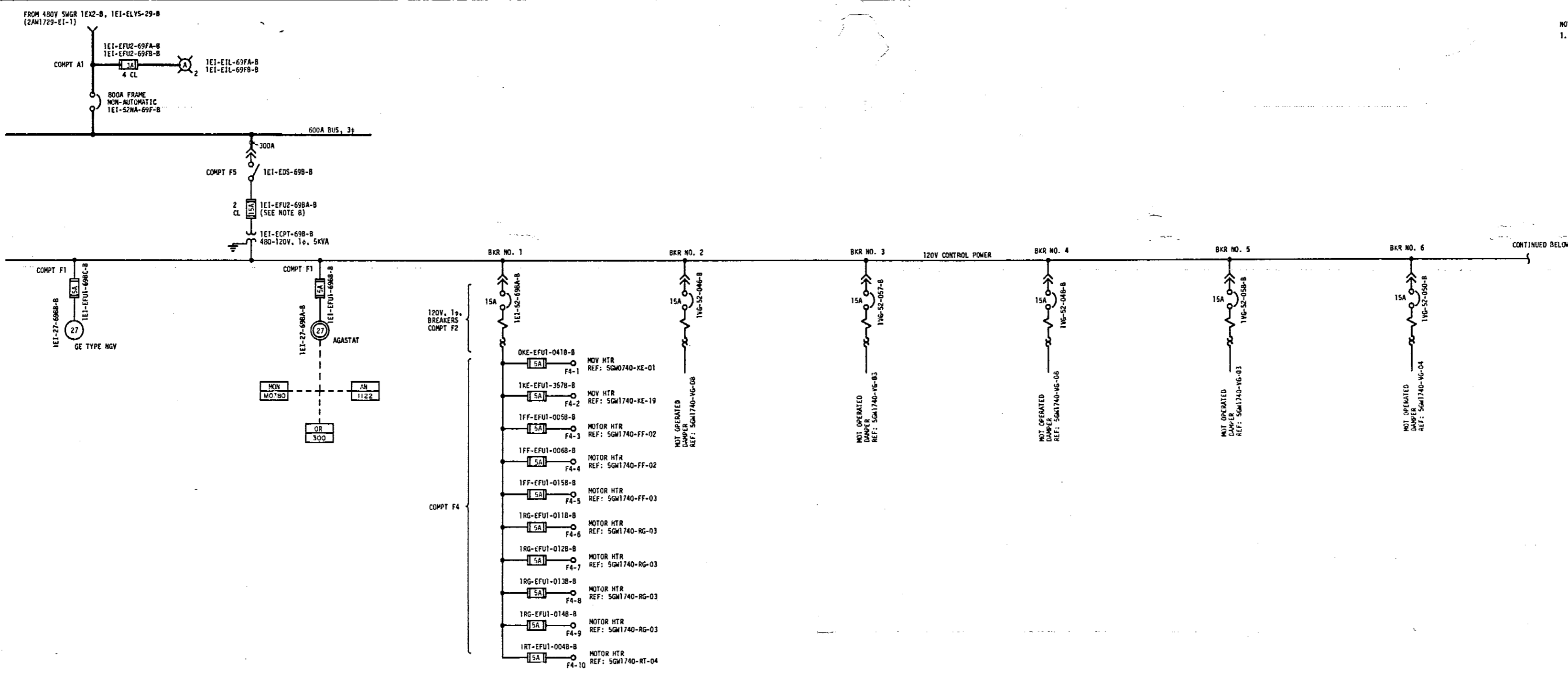


NOTES:  
1. FOR GENERAL NOTES, REFERENCE DWGS AND SYMBOLS SEE DWG SDM1733-EI-1.



58-438  
8364650536  
Date 3-25-83  
REGULATORY DOCKET #

PRC  
APERTURE  
CARD

REV NO.	ECN NO.	DATE	DESIGN	CHKD	SUPV	ENGR	INSP	APPROV
DESIGN	CHKD	ENGR	SUPV	INSP	APPROV			
SCALE: NTS EXCEPT AS NOTED								
DIESEL GENERATOR BUILDING UNIT 1								
SINGLE LINE 480V MCC 1E4-B 1E1-EMCC-69-B								
Bellefonte Nuclear Plant Tennessee Valley Authority DIVISION OF ENGINEERING DESIGN								
INSPECTED AND APPROVED FOR ISSUE			SUBMITTED			RECOMMENDED		
KNOXVILLE 3-7-82			88 E			SDM1733-EI-03 RD		

PRINT	H								
SIZE	F								