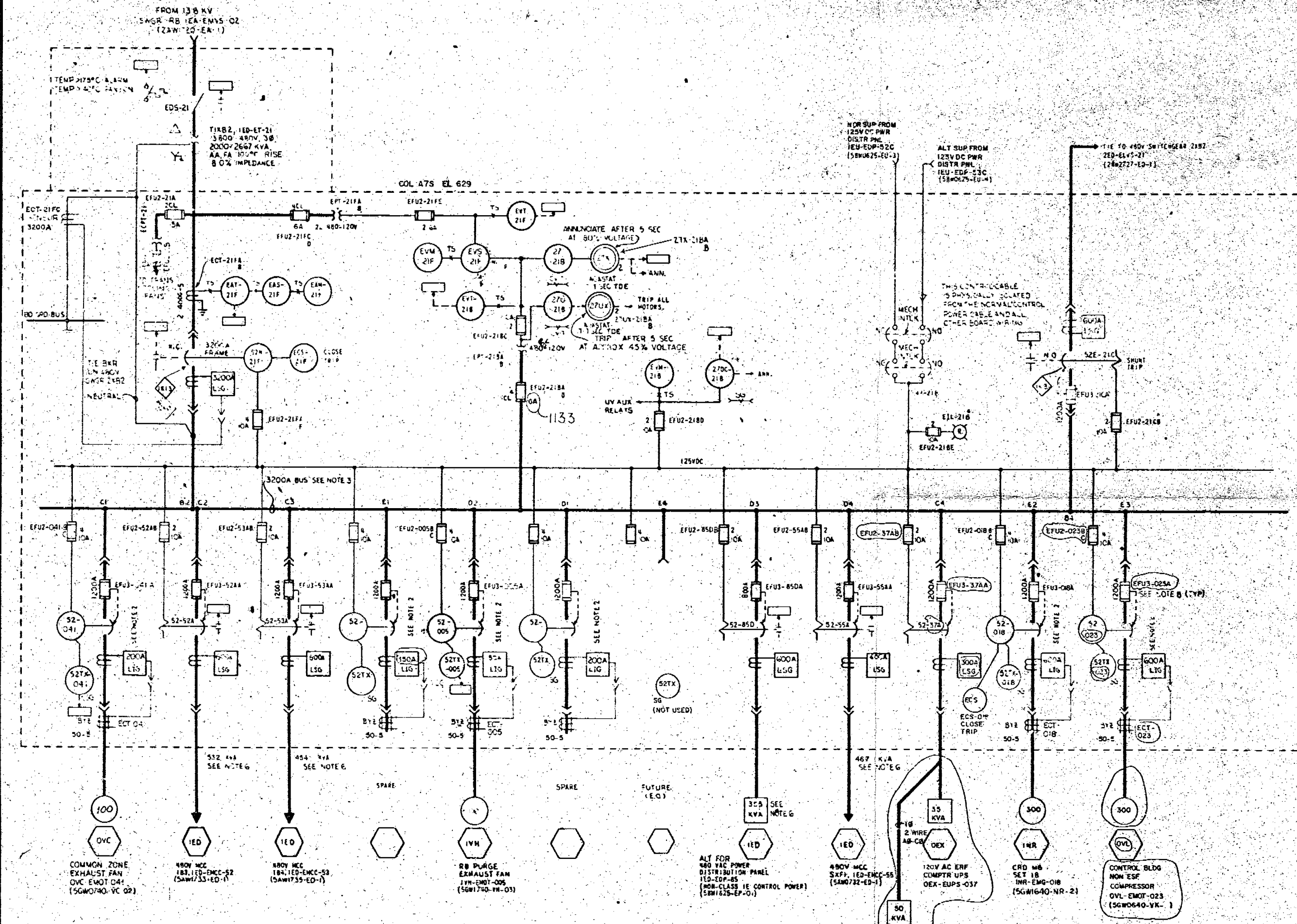


A  
B  
C  
D  
E  
F  
G



REFERENCE SYMBOLS	
211A	480V 1200A BUS
211B	480V 300A BUS
211C	125V DC BUS
211D	480V 1200A BUS
211E	480V 300A BUS
211F	480V 1200A BUS
211G	480V 300A BUS

- NOTES:
- 480V SWGR PROVIDED ON CONTRACT NO 76K3-85526
  - ALL CIR BREAKS ARE 3-POLE BOULDER WITH 2-POLE MOUNTED CURRENT LIMITING FUSE ON LINE SIDE OF EACH POLE EXCEPT AS NOTED
  - 063A 211A HAS 200,000 RMS SYN INTERRUPTING RATING AT 480V 3200A CIR BREAKS HAVE 45,000A RMS SYN INTERRUPTING RATING AT 480V AS NOTED. BREAKS ARE EQUIPPED WITH AN ELECTRIC LOCKOUT ATTACHMENT ACTUATED BY A LOCKOUT KEY AND A LOCKOUT DETECTOR
  - 063A 211B HAS 200,000 RMS SYN INTERRUPTING RATING AT 480V 3200A CIR BREAKS HAVE 45,000A RMS SYN INTERRUPTING RATING AT 480V AS NOTED. BREAKS ARE EQUIPPED WITH AN ELECTRIC LOCKOUT ATTACHMENT ACTUATED BY A LOCKOUT KEY AND A LOCKOUT DETECTOR
  - RELAYS SHALL BE THE TYPES SHOWN ON THIS DRAWING OR THE APPROVED EQUAL

EACH DEVICE ASSOCIATED WITH THE SWGR BUS, TRANSFORMER, AND THE NORMAL OR THE CIR BREAKS IS PART OF THE 480V NORMAL AC BUS PWR DISTRIBUTION SYS WITH UNIT AND SYS DESIGNATION. THE DEVICE UNIT IS FORMED BY PREFIXING THE DESIGNATION SHOWN ON THE DWG WITH 'U'. ALL OTHER DEVICES WITH THEIR ASSOCIATED DEVICES ARE PART OF THE SYS WHICH THEY SUPPLY. THE UNIT IS FORMED BY PREFIXING THE DESIGNATIONS SHOWN ON THE DWG WITH THE UNIT AND SYS DESIGNATION SHOWN IN THE DESIGN SYMBOL EXCEPT AS NOTED. THE SWGR COMPARTMENT NO. AND DESIGNATIONS ARE FORMED AS FOLLOWS USING THE COMPARTMENT NO. AND THE BOARD NO. (UNIT) (E.G. U211A-1).

1. KVA LOADS SHOWN ARE ESTIMATED MAXIMUM DEMANDS
2. 480V AC BUS IS LOCATED IN A BAY BY 1570
3. 125V DC BUS IS LOCATED IN A BAY BY 1570

- SYMBOLS:
- SC-10 STATE TRIP DEVICE WITH SENSOR RATING SHOWN
  - L- LONG TIME DELAY (OVERLOAD)
  - S- SHORT TIME DELAY (SELECTIVE TRIP)
  - I- INSTANTANEOUS (FAULT CURRENT)
  - G- GROUND TRIP (CURRENT)
  - MECH- MECHANICAL INTERLOCK
  - MEC- MECHANICAL INTERLOCK
  - NO- NORMALLY OPEN CONTACT
  - NC- NORMALLY CLOSED CONTACT
  - UNIT AND SYS DESIGNATION (SEE NOTE 2)
  - KEY INTERLOCK
  - RED INDICATING LIGHT
  - ANN- THIS FUNCTION TO BE MONITORED BY ONE OR MORE ANNUNCIATOR OR ALARM SYSTEMS

NO.	REV.	DATE	DESCRIPTION
1	1	12/20/78	ISSUED FOR CONSTRUCTION
2	1	12/20/78	ISSUED FOR CONSTRUCTION
3	1	12/20/78	ISSUED FOR CONSTRUCTION
4	1	12/20/78	ISSUED FOR CONSTRUCTION
5	1	12/20/78	ISSUED FOR CONSTRUCTION
6	1	12/20/78	ISSUED FOR CONSTRUCTION
7	1	12/20/78	ISSUED FOR CONSTRUCTION
8	1	12/20/78	ISSUED FOR CONSTRUCTION
9	1	12/20/78	ISSUED FOR CONSTRUCTION
10	1	12/20/78	ISSUED FOR CONSTRUCTION
11	1	12/20/78	ISSUED FOR CONSTRUCTION
12	1	12/20/78	ISSUED FOR CONSTRUCTION
13	1	12/20/78	ISSUED FOR CONSTRUCTION
14	1	12/20/78	ISSUED FOR CONSTRUCTION
15	1	12/20/78	ISSUED FOR CONSTRUCTION
16	1	12/20/78	ISSUED FOR CONSTRUCTION
17	1	12/20/78	ISSUED FOR CONSTRUCTION
18	1	12/20/78	ISSUED FOR CONSTRUCTION
19	1	12/20/78	ISSUED FOR CONSTRUCTION
20	1	12/20/78	ISSUED FOR CONSTRUCTION

GENERAL REVISIONS PER ECN'S-VARIOUS-ADD CIRCUIT BREAKER CONTROL SWITCH PER ECN 396.

REMOVED 3 AMP FUSES FROM COMPARTMENT D3 TO BE REPLACED BY 15 AMP FUSES PER ECN 396.

CHANGED ANNUNCIATOR IN COMPARTMENT D3 TO LSG. MINOR CHANGES.

Doc # 58-138  
Control # 8304050636  
Date 3-25-85  
REGULATORY DOCKET FILE

PRO APERTURE CARD

AUXILIARY BUILDING  
UNIT 1  
SINGLE LINE DIAGRAM  
480V SWITCHGEAR IXB2  
IED-ELVS-21

BELLEFONTE NUCLEAR PLANT  
TENNESSEE VALLEY AUTHORITY  
DIVISION OF ENGINEERING DESIGN

INSPECTED AND APPROVED FOR ISSUE  
R. M. Holman

DESIGN PROJECT MANAGER

NO. 2-6-74 88 E 2AW1727-ED-1 87  
45W 729-2

THIS DRAWING IS UNIFIED