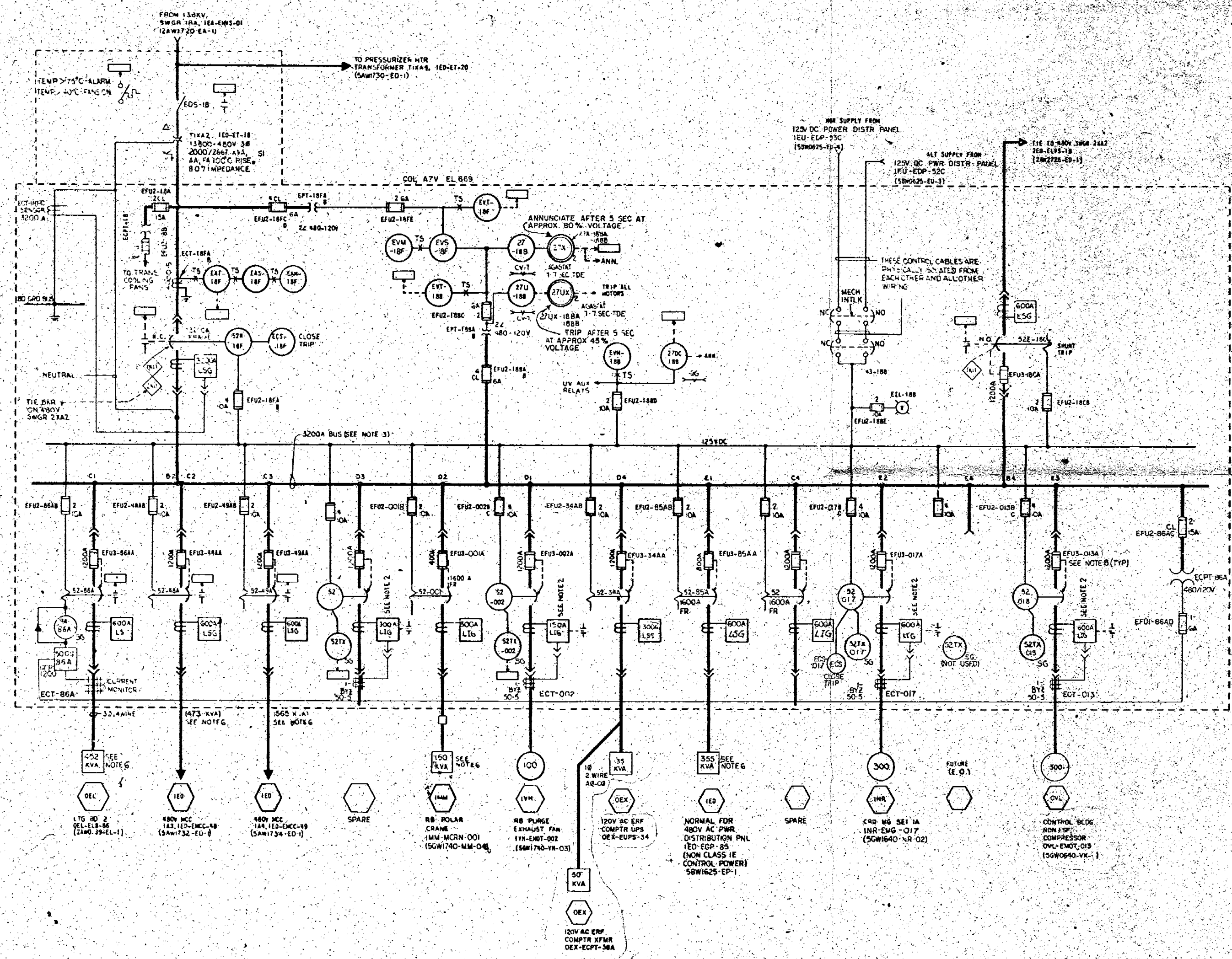


A  
B  
C  
D  
E  
F  
G



NO.	REV.	DATE	BY	CHKD
1				
2				
3				
4				
5				
6				
7				
8				
9				
10				
11				
12				
13				
14				
15				
16				
17				
18				
19				
20				

SYMBOL NUMBER	TITLE
200720-EP-1	PLANTING AUXILIARY POWER SYSTEM SINGLE LINE
200720-EP-2	125V DC PWR DISTR. PANEL

- NOTES:
1. 480V 2MR PRO. 5ED 000-1743 8542G
  2. ALL CBT BARS ARE 3-POLE, 800A FR WITH REW. MOUNTED CURRENT LIMITING FUSE ON LINE SIDE OF 3-POL. EXCEPT AS NOTED. 800A FR BARS HAVE 200,000 RMS SIM INTERRUPTING RATING AT 480V. 1600A FR BARS HAVE 200,000 RMS SIM INTERRUPTING RATING AT 480V. 3200A FR BARS HAVE 65,000 RMS SIM INTERRUPTING RATING AT 480V. AS NOTED, BARS ARE EQUIPPED WITH AN ELECTRICAL LOCKOUT ATTACHMENT LOCATED WHENEVER IS STAMPED AUTOMATICALLY BY THE AMPTECTOR.
  3. BUS IS 3R. WITH 3R. ALL LOADS THAT ARE 3R. WIRE OR SINGLE PHASE 2 WIRE ARE 2R INDICATED.
  4. RELAYS SHALL BE THE TYPES SHOWN ON THIS DRAWING OR TYPE APPROVED EQUAL.

5. EACH DEVICE ASSOCIATED WITH THE 3MR BUS, TRANSFORMER, AND THE NORMAL 3R TIE CBT BARS IS PART OF THE 480V NORMAL AC BUS PWR DISTRIBUTION SYS WITH UNIT AND SYS DESIGNATION, I.E., THE DEVICE UNIT IS FORMED BY PREFIXING THE DESIGNATIONS SHOWN ON THE DNG WITH TED, EXCEPT AS NOTED. ALL OTHER BARS WITH THEIR ASSOCIATED DEVICES ARE PART OF THE SYS WHICH THEY SUPPLY. THE UNIT IS FORMED BY PREFIXING THE DESIGNATIONS SHOWN ON THE DNG WITH THE UNIT AND SYS DESIGNATION SHOWN IN THE WEARON SYMBOL, EXCEPT AS NOTED. THE SHEET COMPARTMENT INCLUDING DESIGNATIONS ARE FORMED AS FOLLOWS USING THE COMPARTMENT PREFIX AND THE 3RMD UNIT ID: IED-ELYS-YVAX.
6. KVA LOADS SHOWN ARE ESTIMATED MAXIMUM DEMAND.
7. THIS EQPT IS NON-CLASS 1E, LOCATED IN A CATEGORY I STR.
8. BLOWN FUSE TRIPS BREAKER.

- SYMBOLS:
- SOLID STATE TRIP DEVICE WITH SENSOR RATING SHOWN
  - L LONG TIME DELAY (OVERLOAD)
  - S SHORT TIME DELAY (SELECTIVE TRIP)
  - F FUSE (TYPE AND RATING AS SHOWN)
  - G GROUND (FAULT CURRENT)
  - INTERFACE FOR STATUS, ENVIRONMENTAL & ALARM MONITORING SYS (SEAMS)
  - ⬠ UNIT AND SYS DESIGNATION (SEE NOTE 5)
  - ◇ KEY INTERLOCK
  - RED INDICATING LIGHT
  - ANN. THIS FUNCTION TO BE MONITORED BY ONE OR MORE ANNUNCIATION ON ALARM SYSTEM.
  - PRIMARY CONTAINMENT PENETRATION

1	12/2/88	12/2/88	12/2/88	12/2/88	12/2/88
2	12/2/88	12/2/88	12/2/88	12/2/88	12/2/88
3	12/2/88	12/2/88	12/2/88	12/2/88	12/2/88
4	12/2/88	12/2/88	12/2/88	12/2/88	12/2/88
5	12/2/88	12/2/88	12/2/88	12/2/88	12/2/88
6	12/2/88	12/2/88	12/2/88	12/2/88	12/2/88
7	12/2/88	12/2/88	12/2/88	12/2/88	12/2/88
8	12/2/88	12/2/88	12/2/88	12/2/88	12/2/88
9	12/2/88	12/2/88	12/2/88	12/2/88	12/2/88
10	12/2/88	12/2/88	12/2/88	12/2/88	12/2/88
11	12/2/88	12/2/88	12/2/88	12/2/88	12/2/88
12	12/2/88	12/2/88	12/2/88	12/2/88	12/2/88
13	12/2/88	12/2/88	12/2/88	12/2/88	12/2/88
14	12/2/88	12/2/88	12/2/88	12/2/88	12/2/88
15	12/2/88	12/2/88	12/2/88	12/2/88	12/2/88
16	12/2/88	12/2/88	12/2/88	12/2/88	12/2/88
17	12/2/88	12/2/88	12/2/88	12/2/88	12/2/88
18	12/2/88	12/2/88	12/2/88	12/2/88	12/2/88
19	12/2/88	12/2/88	12/2/88	12/2/88	12/2/88
20	12/2/88	12/2/88	12/2/88	12/2/88	12/2/88

8-438  
 8304050536  
 3-25-88  
 DOCUMENT  
 CRY DOCKET FILE

P.R.C  
 APERTURE  
 CARD

DESIGNED AND APPROVED FOR ISSUE	RECOMMENDED	APPROVED
<i>R.M. Holga</i>	<i>J.S. Holga</i>	<i>J.V. Holga</i>
DESIGN PROJECT MANAGER		
KNORVILLE 2-6-74	88 E 2AW1726-ED-1	45W729-1

ALTERNATE BUILDING	
UNIT 1	
SINGLE LINE DIAGRAM	
480V SWITCHGEAR 1XA2	
IED-ELYS-18	
BELLEFONTE NUCLEAR PLANT	N
TENNESSEE VALLEY AUTHORITY	
DIVISION OF ENGINEERING DESIGN	