

REFERENCE DRAWINGS	
DRAWING NUMBER	DATE
2AW2726-ED-1	PLANT 10 ELECTRICAL POWER SYSTEM SINGLE LINE
2AW2726-ED-2	480V SWGR TRANS SYSTEM SCHEMATIC

- NOTES:
- 480V SWGR PROVIDED ON CONTRACT NO. 764-85526
 - ALL CUT-BYTES ARE 2-POLE, 200A FR WITH NEAR MOUNTED CURRENT LIMITING FUSE 30A LINE SIDE OF EACH POLE, EXCEPT AS NOTED.
2000A FR BREAKERS HAVE 200,000A RMS 50M INTERRUPTING RATING AT 480V.
1000A FR BREAKERS HAVE 200,000A RMS 50M INTERRUPTING RATING AT 480V.
3000A FR BREAKERS HAVE 45,000A RMS 50M INTERRUPTING RATING AT 480V.
AS NOTED, BREAKERS ARE EQUIPPED WITH AN ELECTRICAL LOCKOUT ATTACHMENT ACTIVATED WHEN BREAK IS TRIPPED AUTOMATICALLY BY THE AMPLECTOR
 - BUS IS 50' WITH HALF NEUTRAL. ALL LOADS THAT ARE 3P, 4 WIRE ARE 3P INDICATED.
 - RELAYS SHALL BE THE TYPES SHOWN OR THEIR APPROVED EQUAL.
 - EACH DEVICE ASSOCIATED WITH THE SWGR BUS, TRANSFORMER, AND THE NUMBER THE CABLES IS PART OF THE 480V NORMAL AC AUX PWR DISTRIBUTION SYS WITH UNIT AND SYS DESIGNATION. THE DEVICE UNIT IS FORMED BY PREFIXING THE DESIGNATIONS SHOWN ON THE BUS WITH '2ED'. EXCEPT AS NOTED, ALL OTHER BREAK, WITH THEIR ASSOCIATED DEVICES ARE PART OF THE SYS WHICH THEY SUPPLY. THE UNIT IS FORMED BY PREFIXING THE DESIGNATIONS SHOWN ON THE BUS WITH THE UNIT AND SYS DESIGNATION SHOWN IN THE MESSAGE SYMBOL, EXCEPT AS NOTED. THE SWGR COMPARTMENT AND UNIT DESIGNATIONS ARE FORMED AS FOLLOWS: 2ED-ELVS-18 (X) AND THE BOARD NO. (Y): 2ED-ELVS-18-35.
 - 3000A FUSE TRIPS BREAKER

- EVA LOADS SHOWN ARE ESTIMATED MAXIMUM DEMAND.
 - THIS EQPT IS NON-CLASS I.E. LOCATED IN A CATEGORY I SWR.
- SYMBOLS:
- ANN - THIS FUNCTION TO BE MONITORED BY ONE OR MORE ANNUNCIATION OR ALARM SYSTEMS
 - SOLID STATE TRIP DEVICE WITH SENSOR RATING SHOWN
 - L - LONG TIME DELAY (OVERLOAD)
 - S - SHORT TIME DELAY (SELECT-A TRIP)
 - I - INSTANTANEOUS (FAULT CURRENT)
 - G - GROUND (FAULT CURRENT)
 - INT - INTERFACE FOR STATUS ENVIRONMENTAL AND ALARM MONITORING SYS (SEAS)
 - KEY INTERLOCK
 - PRIMARY CONTAINMENT PENETRATION
 - UNIT AND SYS DESIGNATION (SEE NOTE 5)
 - LED INDICATING LIGHT

REV	DATE	DESCRIPTION
1	12-22-81	ISSUED FOR CONSTRUCTION
2	01-20-82	SWITCHED LOADS FROM SWGR TRANS TO THIS SWGR PER ECH 21 ADDED COOLING FANS TO 480V SWGR TRANSFORMER'S PER ECH 20.
3	05-14-83	REPLACED 3000A FR BRK WITH 1000A FR BRK ON PEN. PER ECH 105. UNOBTAINED PERM PER ECH 105 - PARALLEL PERM BY 1000A FR BRK UNOBTAINED UNLD SYS. PER ECH 105 - VARIOUS UPDATE MAJOR CHANGES PER ECH 134.
4	07-20-83	REPLACED 3000A FR BRK WITH 1000A FR BRK ON PEN. PER ECH 105. UNOBTAINED PERM PER ECH 105 - PARALLEL PERM BY 1000A FR BRK UNOBTAINED UNLD SYS. PER ECH 105 - VARIOUS UPDATE MAJOR CHANGES PER ECH 134.
5	08-25-83	REPLACED 3000A FR BRK WITH 1000A FR BRK ON PEN. PER ECH 105. UNOBTAINED PERM PER ECH 105 - PARALLEL PERM BY 1000A FR BRK UNOBTAINED UNLD SYS. PER ECH 105 - VARIOUS UPDATE MAJOR CHANGES PER ECH 134.

50-488
854-105853
REGULATORY DOCKET # 71-3-25-83 of Document

PRC APERTURE GARD

5/11/83 12:31 [Signature]

REPLACED 3 AMP FUSES WITH 8 AMP FUSES. MINOR CHANGES INSPECTED AND APPROVED FOR ISSUE

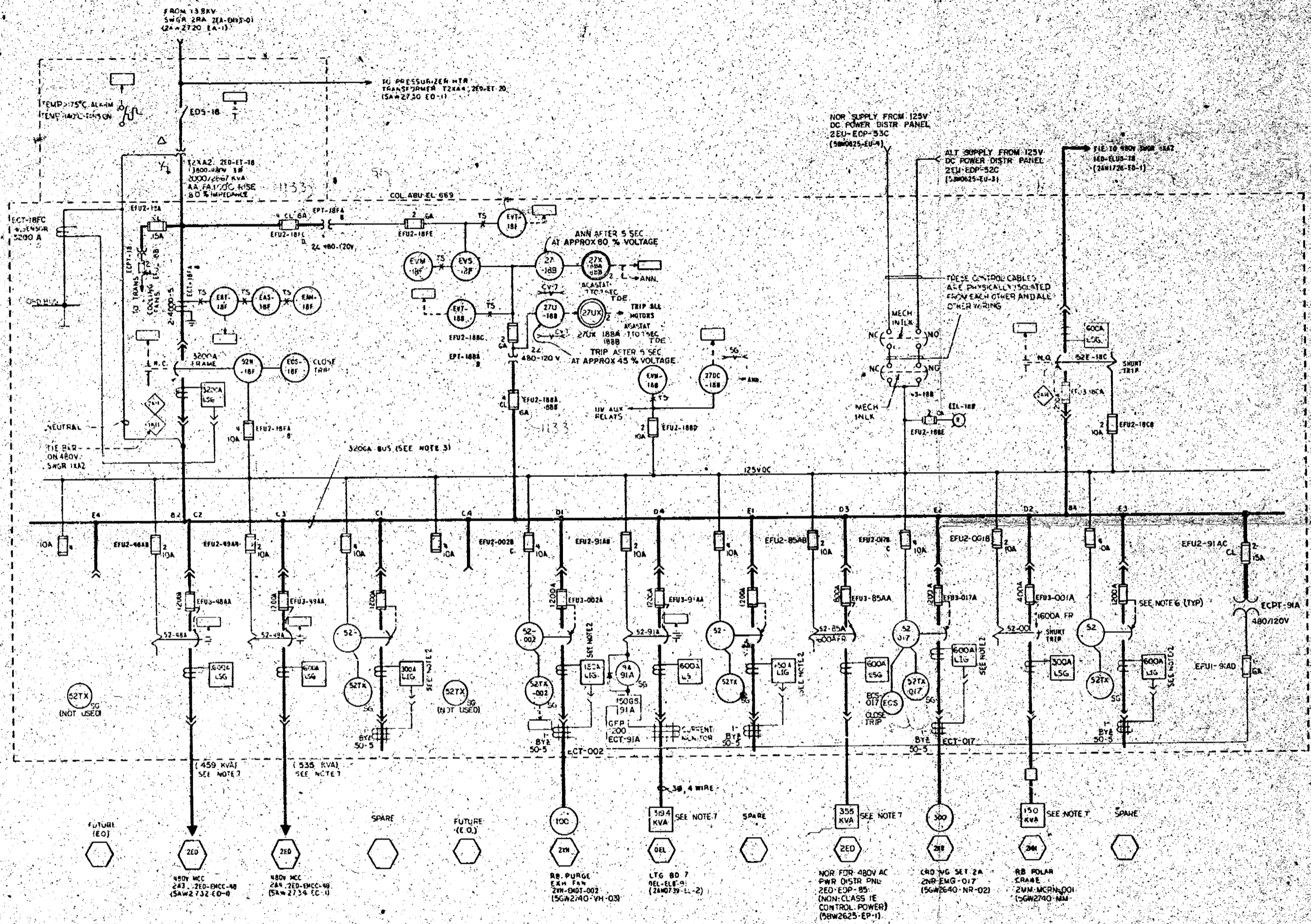
PROJECT MANAGER [Signature]

RECOMMENDED [Signature]

APPROVED [Signature]

KNOXVILLE 2-6-74 88 E 12AW2726-ED-1 NS

45W730-1



REV	DATE	DESCRIPTION
1	12-22-81	ISSUED FOR CONSTRUCTION