

REFERENCE DRAWINGS	
DRAWING NUMBER	TITLE
45W727-1	PLANT AC BUS/LOAD SINGLE LINE
45W727-2	480V SWGR (A8) SYSTEM SCHEMATIC

- NOTES:
- 480V SWGR PROVIDED ON CONTRACT NO 1043 55536
 - ALL Ckt BRK ARE 3-POLE, 600A FR WITH REM MOUNTED COILS. LIMITING FUSE OR LINE SIDE OF EACH POLE, EXCEPT AS NOTED. 600A FR BRK HAVE 200,000A BUS SYN INTERRUPTION RATING AT 480V. 1200A FR BRK HAVE 50,000A BUS SYN INTERRUPTION RATING AT 480V. 3200A FR BRK HAVE 45,000A BUS SYN INTERRUPTION RATING AT 480V. ALL REMOTELY OPERATED BRK ARE EQUIPPED WITH AN ELECTRICAL ATTACHMENT ACTIVATED WHEN BRK IS TRIPPED AUTOMATICALLY BY THE BRK.
 - BUS TO BE WITH MAIN NEUTRAL. ALL LOADS THAT ARE 3- & 4 WIRE ARE SO INDICATED.

- EACH DEVICE ASSOCIATED WITH THE SWGR BUS, TRANSFORMER, AND LINE TERMINAL OR THE Ckt BRK IS PART OF THE NEUTRALING AC BUS. THE DISTRIBUTION SYS WITH UNIT AND SYS DESIGNATION, IED. THE DEVICE UNIT IS FORMED BY PREFIXING THE DESIGNATIONS SHOWN ON THE Ckt WITH IED. EXCEPT AS NOTED. ALL OTHER BRK WITH THEIR ASSOCIATED DEVICES ARE PART OF THE SYS WHICH THEY SUPPLY. THE UNIT IS FORMED BY PREFIXING THE DESIGNATIONS SHOWN ON THE Ckt WITH THE UNIT AND SYS DESIGNATION SHOWN IN THE PREFIX SYMBOL. EXCEPT AS NOTED. THE SWGR COMPARTMENT NO. UNIT DESIGNATIONS ARE FORMED AS FOLLOWS: THE COMPARTMENT NO. (11) AND THE SWGR NO. (11); (11)-115-15A.
- KVA LOADS SHOWN ARE ESTIMATED MAXIMUM DEMAND
- BLOWN FUSE TRIPS BREAKER

- SYMBOLS:
- UNIT AND SYSTEM DESIGNATION (SEE NOTE 4)
 - INTERFACE FOR REMOTE CONTROL
 - ANN - THIS FUNCTION TO BE MONITORED BY ONE OR MORE ANNUNCIATION OR ALARM SYSTEMS
 - KEY INTERLOCK
 - SOLID STATE TRIP DEVICE WITH SENSOR RATING
 - L - LONG TIME DELAY (OVERLOAD)
 - S - SHORT TIME DELAY (SELECTIVE TRIP)
 - I - INSTANTANEOUS (FALL CURRENT)
 - G - GROUND (FAULT CURRENT)
 - INTERFACE FOR STATUS ENVIRONMENTAL ALARM MONITORING SYS (STANS)
 - RED INDICATING LIGHT
 - INTERFACE FOR DECONTAM SYS

REV	NO	DATE	DESCRIPTION	BY	CHKD
1	1	12-20-79	ISSUED FOR CONSTRUCTION		
2	2	12-20-79	REPLACED 1200A FUSES IN COMP 11 WITH 3200A FUSES		

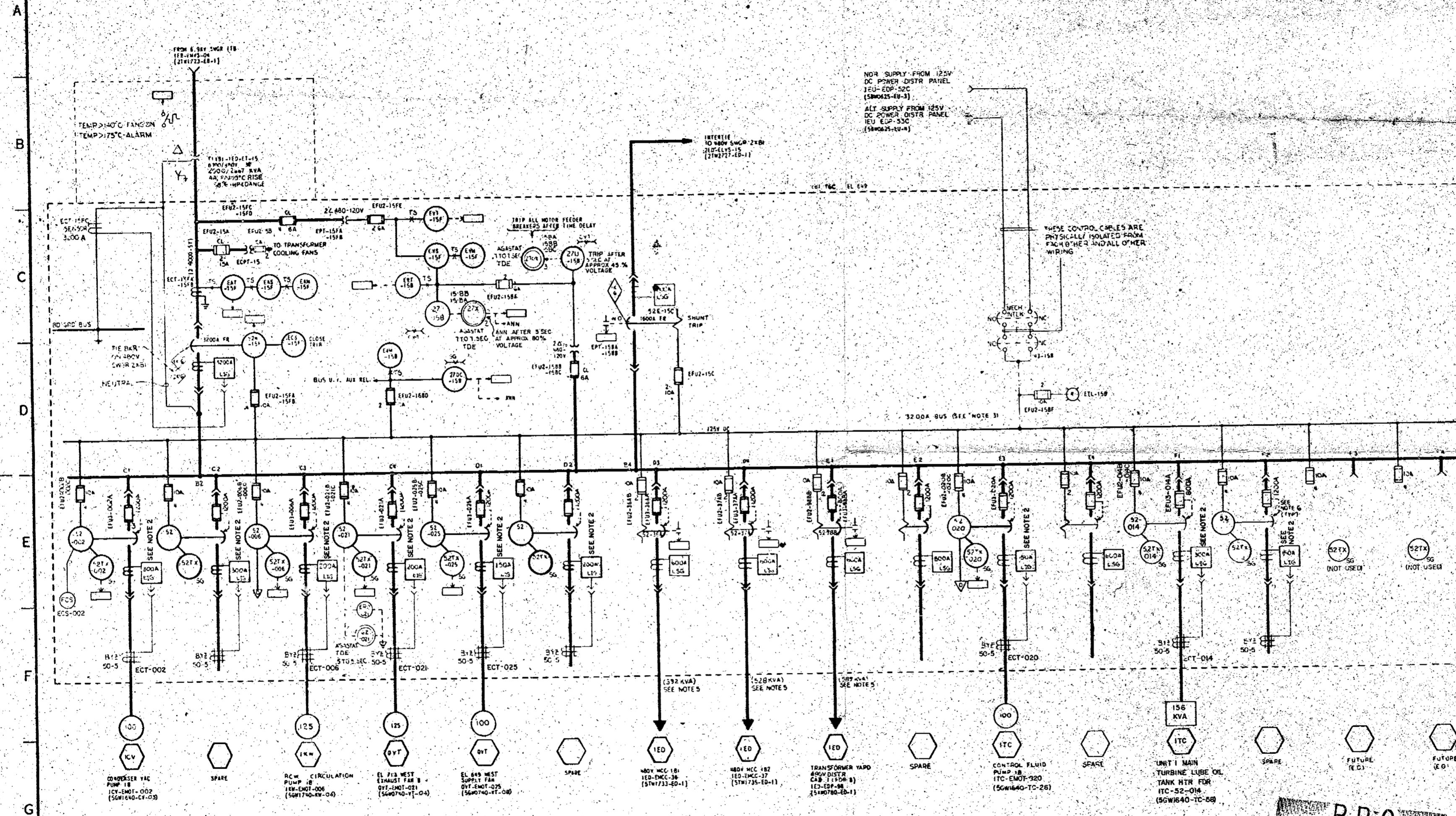
PRC APERTURE CARD

UNIT 1
SINGLE LINE DIAGRAM
480V SWITCHGEAR (X81)
IED ELVS-15

BELLEFONTE NUCLEAR PLANT
TENNESSEE VALLEY AUTHORITY
DIVISION OF ENGINEERING DESIGN

DESIGN PROJECT NUMBER: 45W727-2

RECORDED AS CONSTRUCTED



NOV SUPPLY FROM 125V DC POWER DISTR PANEL IED-EDP-52C (56W025-EV-3)
ALT SUPPLY FROM 125V DC POWER DISTR PANEL IED-EDP-53C (56W025-EV-4)

THESE CONTROL CABLES ARE PHYSICALLY ISOLATED FROM EACH OTHER AND ALL OTHER WIRING

3200A BUS (SEE NOTE 3)

(372 KVA) SEE NOTE 5

(528 KVA) SEE NOTE 5

(587 KVA) SEE NOTE 5

Docket # 50435
Case # 830705
Page 3 of 25-83 of Documents
REGULATORY DOCKET FILE

REPLACED 1200A FUSES IN COMP 11 WITH 3200A FUSES

INSPECTED AND APPROVED FOR ISSUE
SUBMITTED: R.M. Hodges
RECOMMENDED: B.M. ...
APPROVED: J.V. ...

REV	NO	DATE	DESCRIPTION
1	1	12-20-79	ISSUED FOR CONSTRUCTION
2	2	12-20-79	REPLACED 1200A FUSES IN COMP 11 WITH 3200A FUSES