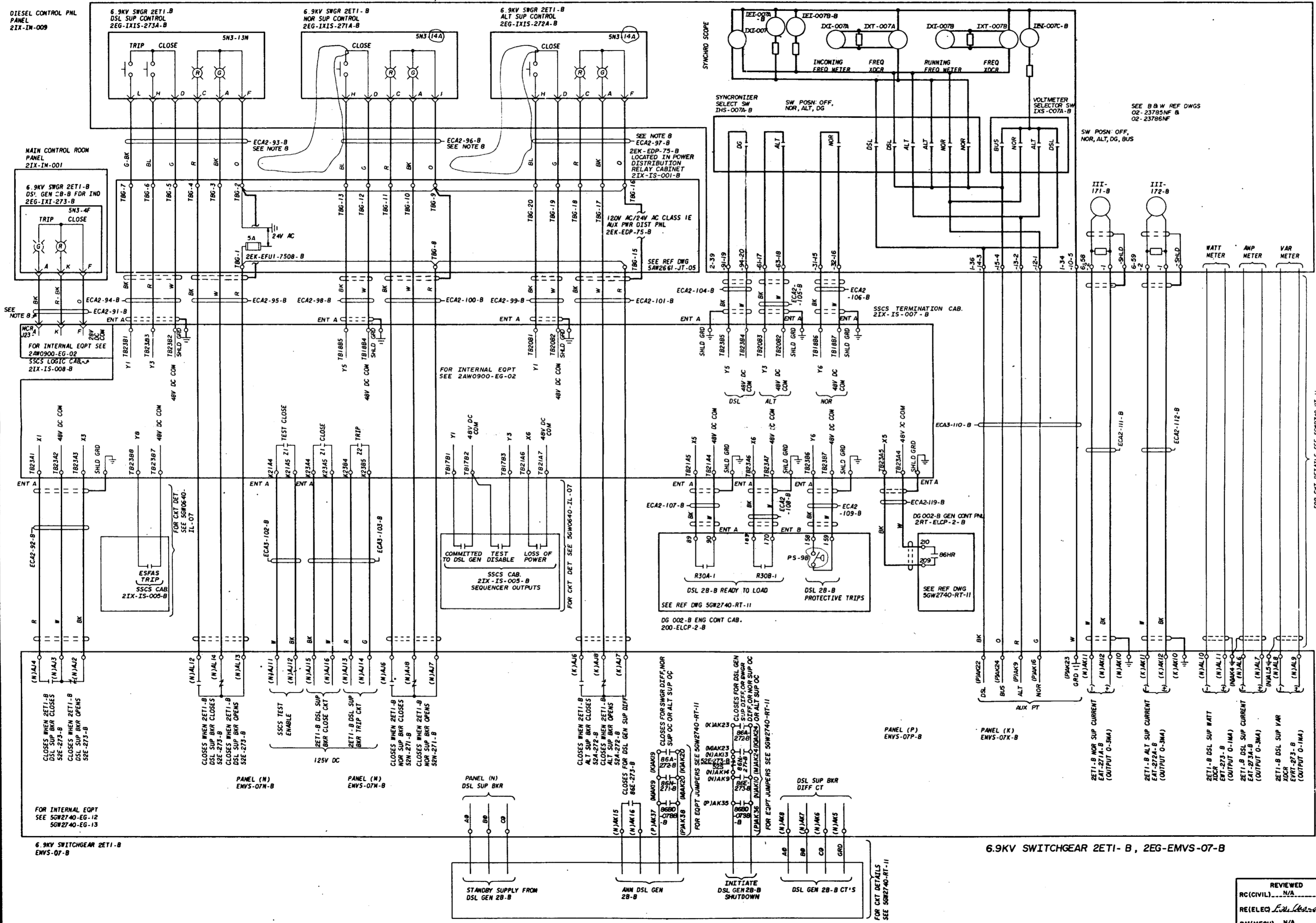


#064 R2
5838 R2



NOTES:
 1. FOR GENERAL NOTES AND REFERENCE DRAWINGS SEE 5GW2740-EG-01.
 2. FOR MONITORING SYSTEMS DEVELOPMENT SEE 5GW2740-EG-09.

#50-438
 #8304050536
 Date 3-25-83 of Document
 REGULATORY DOCKET FILE

PRC
 APERTURE
 CAP

2	1538	1/17/73	500	200	100	50	25	10	5	2	1
CHANGED MCR SWITCH MODULE AND PRESS SW.											
11 51 7/18/79											
MADE MINOR CHANGES											
DESIGN	DRWN	CHKD	APPD	INSP	INSP	INSP	INSP	INSP	INSP	INSP	INSP
DESIGN	DRWN	CHKD	APPD	INSP	INSP	INSP	INSP	INSP	INSP	INSP	INSP
DESIGN	DRWN	CHKD	APPD	INSP	INSP	INSP	INSP	INSP	INSP	INSP	INSP
DESIGN	DRWN	CHKD	APPD	INSP	INSP	INSP	INSP	INSP	INSP	INSP	INSP

SCALE EXCEPT AS NOTED

GENERAL UNIT 2

SYSTEM SCHEMATIC
 6.9 KV CLASS 1E AC AUX POWER
 DISTRIBUTION SYSTEM

BELLEFONTE NUCLEAR PLANT
 TENNESSEE VALLEY AUTHORITY
 DIVISION OF ENGINEERING DESIGN

REVIEWED: N/A
 RC(CIVIL): N/A
 RE(ELEC): L. L. ...
 RM(MECH): N/A

APPROVED: [Signature]
 RECOMMENDED: [Signature]
 APPROVED: [Signature]

KNOXVILLE 1-16-79 88 E 5GW2740-EG-07 R2

PRINT	1	3
SIZE	11	0

THIS SCHEMATIC DRAWING IS UNDER CONFIGURATION CONTROL