

REFERENCE DRAWINGS	
DRAWING NUMBER	TITLE
45W729-ED-1	PLANT AC AUXILIARY POWER SYSTEM SINGLE LINE
50W17-ED-4	480V SWGR 125V SYSTEM SCHEMATIC

- NOTES:
- 480V SWGR PROVIDED ON CONTRACT NO. 78K5-0552G.
 - ALL CIR BREAKS ARE 3-POLE 800A EM WITH REAR MOUNTED CURRENT LIMITING FUSES ON LINE SIDE OF EACH POLE. EXCEPT AS NOTED, 800A FR BREAKS HAVE 200,000 RMS SYM INTERRUPTING RATING AT 480V, 1200A FR BREAKS HAVE 65,000A RMS SYM INTERRUPTING RATING AT 480V. AS NOTED, BREAKS ARE EQUIPPED WITH AN ELECTRICAL LOCKOUT ATTACHMENT, ACTIVATED WHEN BREAK IS TRIPPED AUTOMATICALLY BY THE AMMETER CONTACTOR.
 - BUS IS 3/4" WITH HALF NEUTRAL. ALL LOADS THAT ARE 3Ø WIRE ARE 3Ø INDICATED.
 - RELAYS SHALL BE THE TYPES SHOWN ON THIS DRAWING OR TYPE APPROVED EQUAL.

5. EACH DEVICE ASSOCIATED WITH THE SWGR BUS, TRANSFORMER, AND THE NORMAL OR TIE CIR BREAKS, IS PART OF THE 480V NORMAL AC AUXILIARY DISTRIBUTION SYS WITH UNIT AND SYS DESIGNATION, IED. THE DEVICE UNIT IS FORMED BY PREFIXING THE DESIGNATIONS SHOWN ON THE DWG WITH IED. EXCEPT AS NOTED, ALL OTHER DEVICES WITH THEIR ASSOCIATED DEVICES ARE PART OF THE SYS WHICH THEY SUPPLY. THE UNIT IS FORMED BY PREFIXING THE DESIGNATIONS SHOWN ON THE DWG WITH THE UNIT AND SYS DESIGNATION SHOWN IN THE HEADLINE SYMBOL, EXCEPT AS NOTED. THE SWGR COMPARTMENT NO. UNIT DESIGNATIONS ARE FORMED AS FOLLOWS USING THE COMPARTMENT NO. (C1A) AND THE BOARD NO. (Y), IED ELVS-YXX.

- MAX LOADS SHOWN ARE ESTIMATED MAXIMUM DEMAND.
- THIS SWGR IS NORMALLY LOCATED IN A CATEGORY 3 SWGR.
- ALL AIR PULSE CIR BREAKERS.

SYMBOLS:

- ⊙ - RED INDICATING LIGHT
- ⬢ - KEY INTERLOCK
- ⊠ - SOLID STATE TRIP DEVICE WITH SENSOR RATING SHOWN
- L - LONG TIME DELAY (OVERLOAD)
- S - SHORT TIME DELAY (SELECTIVE TRIP)
- I - INSTANTANEOUS (FAULT CURRENT)
- G - GROUND (FAULT CURRENT)
- ⊞ - INTERFACE FOR STATUS ENVIRONMENTAL AND ALARM MONITORING SYS (SEAMS)

ANN - THIS FUNCTION TO BE MONITORED BY ONE OR MORE ANNUNCIATION OR ALARM SYSTEMS

UNIT AND SYS DESIGNATION (SEE NOTE 5)

5	1153	REPLACED 3 AMP FUSES WITH 6 AMP FUSES
3	083, 51	EXCHANGED BREAKERS IN COMPARTMENTS E1 AND E3. MINOR CHANGES.
1	7, 42, 71	GEN REV. PER ESN 31. VARIATIONS: ADD SPARE 250V NORMAL DC BAT CHARGER FEEDER PER ESN 322.
3	134, 44, 51	REPLACED 150 KVA CRANE WITH 200 KVA CRANE. VARIATIONS: DELETED CONT 310G HUMIDIFIER BOILER. GEN REV PER ESN 311. VARIATIONS: ADDED LOADS FROM 480V SWGR. USED TO THIS SWGR PER ECA 21 ADDED COOLING FANS TO 480V SWGR TRANSFORMERS PER ESN 300.
1	12, 20	GEN REV PER ESN 311. VARIATIONS: ADDED COOLING FANS TO 480V SWGR TRANSFORMERS PER ESN 300.
1	12, 20	GEN REV PER ESN 311. VARIATIONS: ADDED COOLING FANS TO 480V SWGR TRANSFORMERS PER ESN 300.

Docket # 50-438
Control # 8304050536
Date 3-25-83 of Document
REGULATORY DOCKET FILE

PERC
APERTURE
CARD

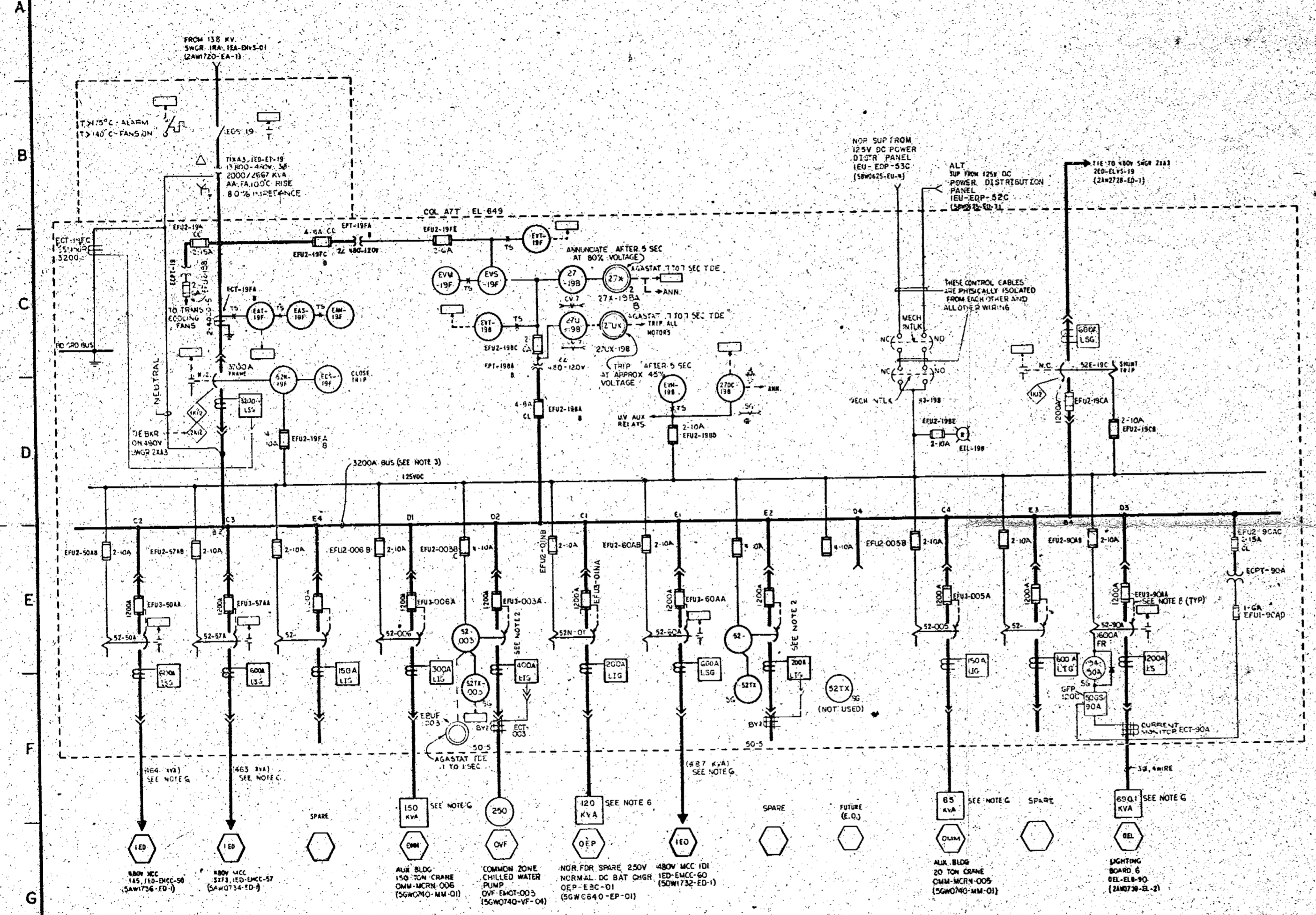
INSPECTED AND APPROVED FOR ISSUE
R.M. Holgate
DESIGN PROJECT MANAGER

AUXILIARY BUILDING
UNIT 1
SINGLE LINE DIAGRAM
480V SWITCHGEAR 1XA3
IED-ELVS-19

BELLEVILLE NUCLEAR PLANT
TENNESSEE VALLEY AUTHORITY
DIVISION OF ENGINEERING DESIGN

SUBMITTED	RECOMMENDED	APPROVED
<i>R.M. Holgate</i>	<i>J. S. ...</i>	<i>R. T. ...</i>

KNOXVILLE 2-6-74 88 E 2AW1728-ED-1 86
45W729-3



PRINTS REC'D	0
NO. OF SETS	1
NO. OF COPIES	1
NO. OF ORIGINALS	1
NO. OF REVISIONS	1
NO. OF CORRECTIONS	1
NO. OF AMENDMENTS	1
NO. OF SUPPLEMENTS	1
NO. OF ADDENDUMS	1
NO. OF EXHIBITS	1
NO. OF REFERENCES	1
NO. OF NOTES	1
NO. OF COMMENTS	1
NO. OF SUGGESTIONS	1
NO. OF RECOMMENDATIONS	1
NO. OF DECISIONS	1
NO. OF ACTIONS	1
NO. OF RESULTS	1