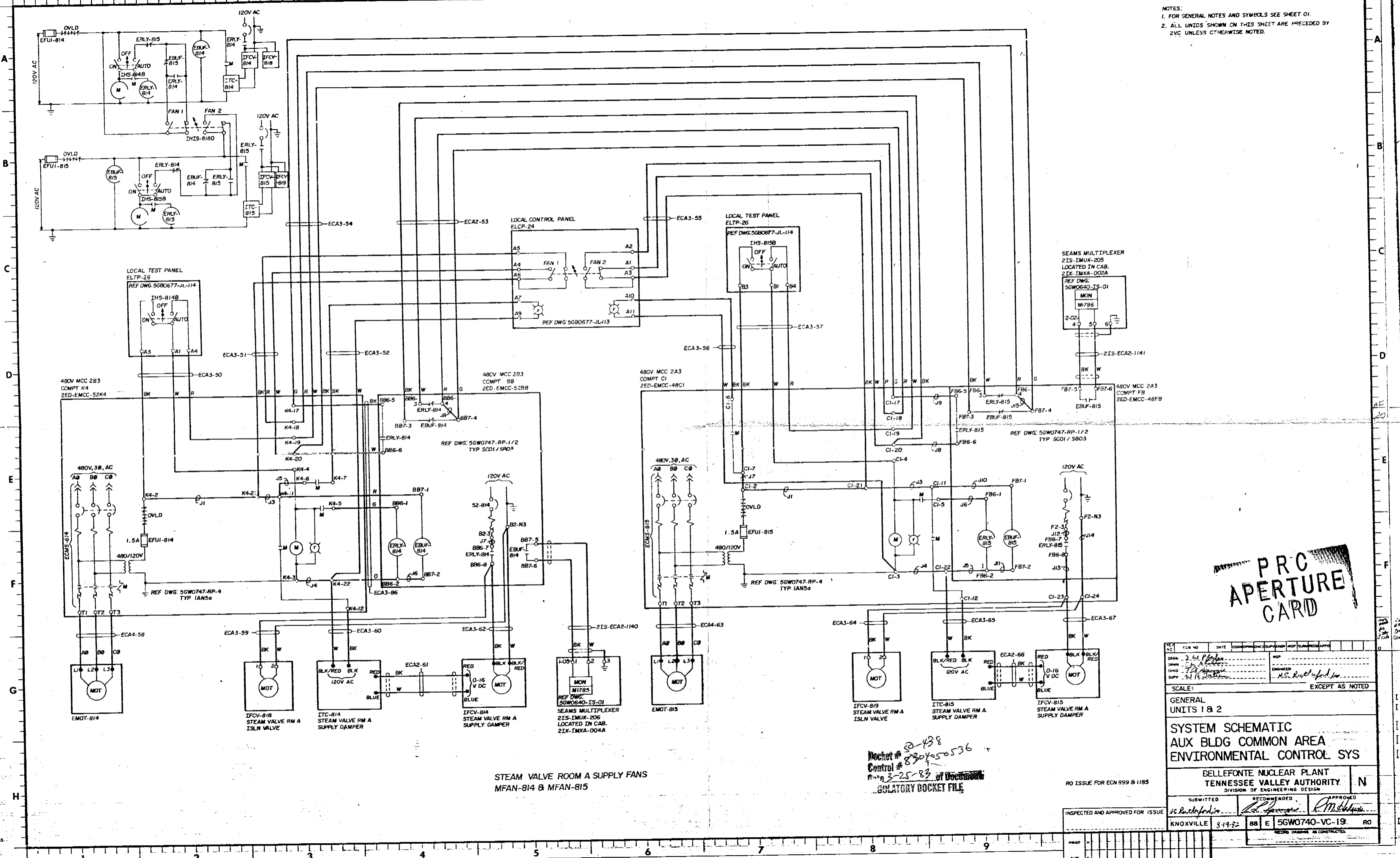


NOTES:
1. FOR GENERAL NOTES AND SYMBOLS SEE SHEET 01.
2. ALL UNITS SHOWN ON THIS SHEET ARE PRECEDED BY 2VC UNLESS OTHERWISE NOTED.



PRC APERTURE CARD

STEAM VALVE ROOM A SUPPLY FANS
MFAN-814 & MFAN-815

2-488
Docket # 880450536
Page 3-25-83 of Document
REGULATORY DOCKET FILE

REV	ECN NO	DATE	ISSUED BY	CHKD BY	APP'D BY	APP'D DATE
1						
DESIGN	J. L. Pflieger					WSP
DRAWN	J. L. Pflieger					ENGINEER
CHECKED	J. L. Pflieger					INSPECTOR
SUPPLY	J. L. Pflieger					CONTRACTOR
SCALE: EXCEPT AS NOTED						
GENERAL UNITS 1 & 2						
SYSTEM SCHEMATIC AUX BLDG COMMON AREA ENVIRONMENTAL CONTROL SYS						
BELLEFONTE NUCLEAR PLANT TENNESSEE VALLEY AUTHORITY DIVISION OF ENGINEERING DESIGN						N
SUBMITTED	RECOMMENDED	APPROVED				
INSPECTED AND APPROVED FOR ISSUE	J. L. Pflieger		J. L. Pflieger		R. M. [Signature]	
KNOXVILLE	3-17-82	88 E	5GWO740-VC-19	RO		

PRINT	IN	SCALE	AS SHOWN
SIZE	11	1/8"	AS SHOWN
PRINTS REQUIRED			