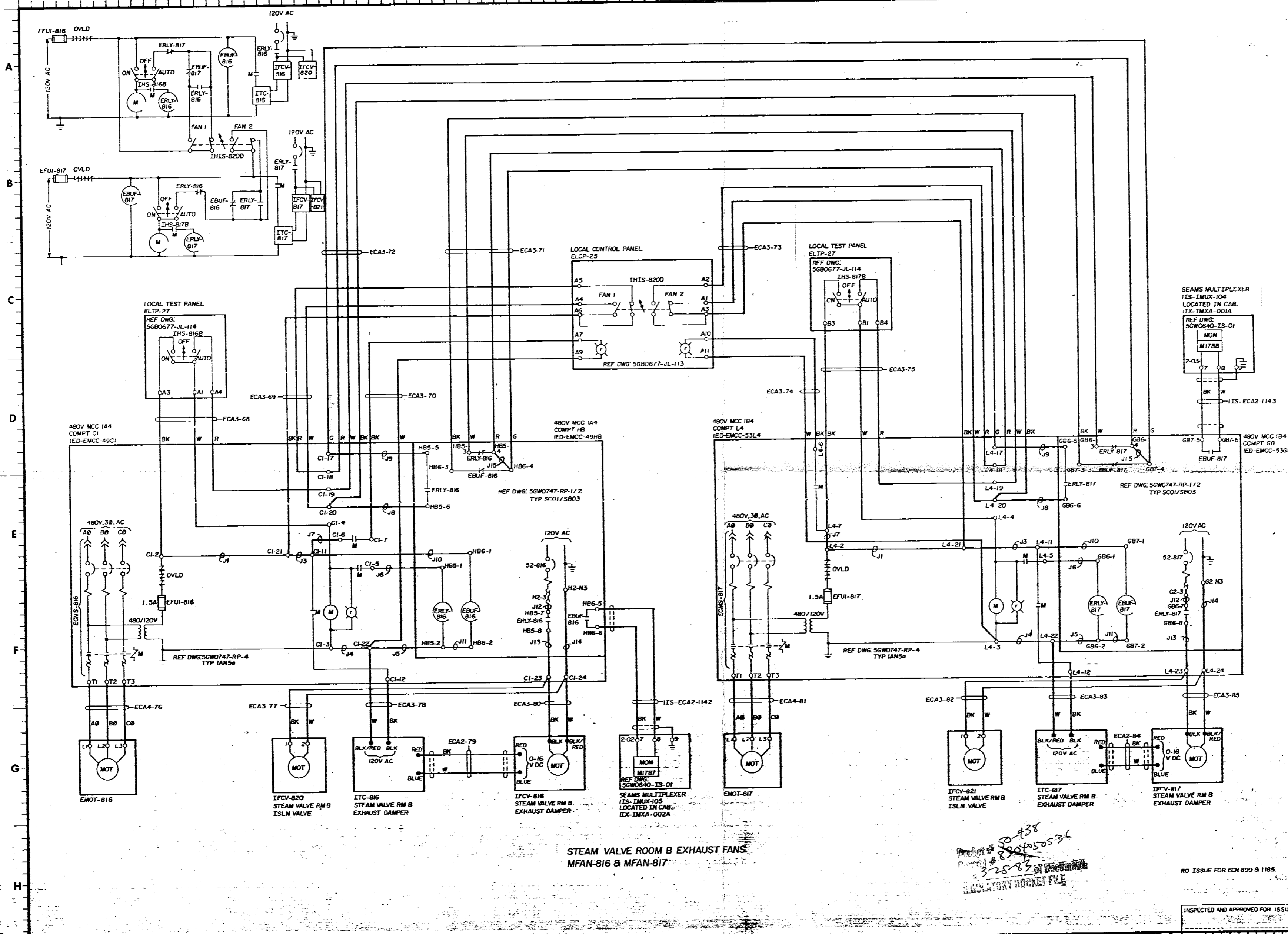


NOTES:
1. FOR GENERAL NOTES AND SYMBOLS SEE SHEET 01.
2. ALL UNID'S SHOWN ON THIS SHEET ARE PRECEDED BY IVC UNLESS OTHERWISE NOTED.



PRC APERTURE CARD

STEAM VALVE ROOM B EXHAUST FANS MFAN-816 & MFAN-817

REGULATORY DOCKET FILE
3-25-83

RO ISSUE FOR EDN 899 & 1185

Table with columns for REV NO, ECH NO, DATE, and other project details. Includes a section for GENERAL UNITS 1 & 2.

SYSTEM SCHEMATIC
AUX BLDG COMMON AREA
ENVIRONMENTAL CONTROL SYS

BELLEVILLE NUCLEAR PLANT
TENNESSEE VALLEY AUTHORITY

INSPECTED AND APPROVED FOR ISSUE
KNOXVILLE 8-19-82 88 E 5GW0740-VC-18 RO

Table with columns for PRINT, SIZE, and other technical specifications.