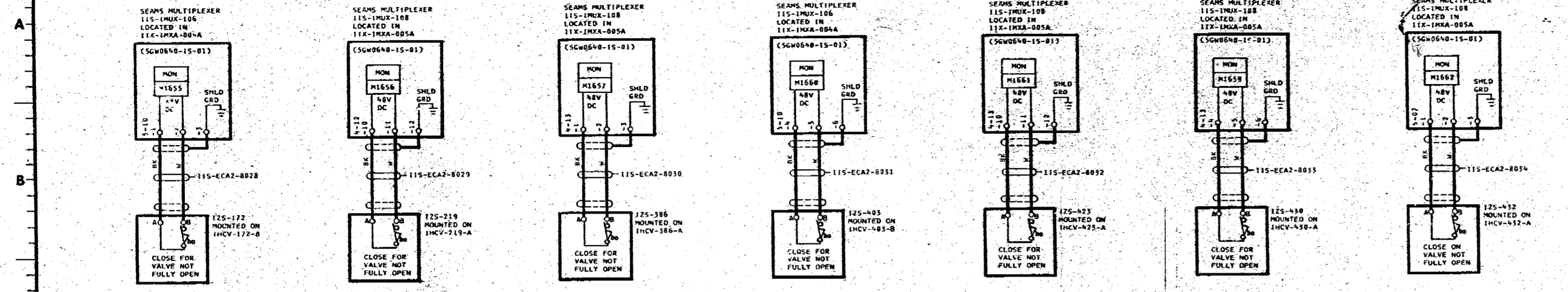
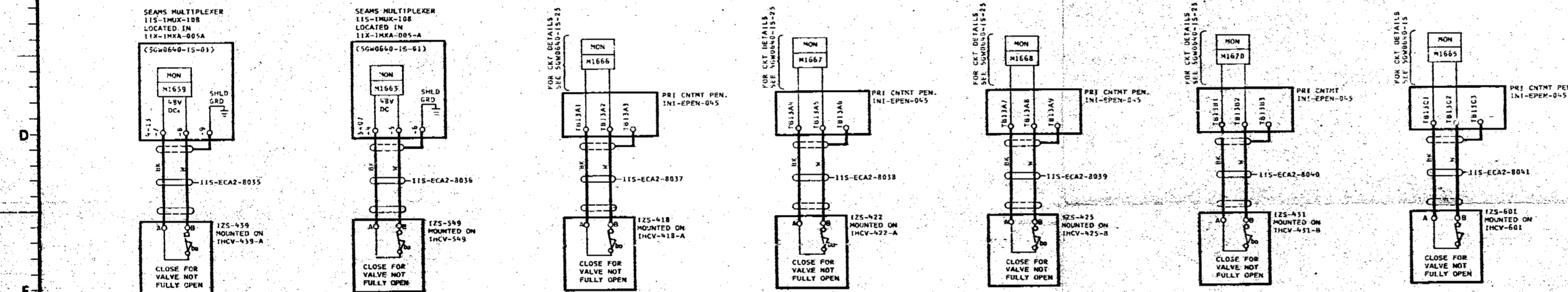


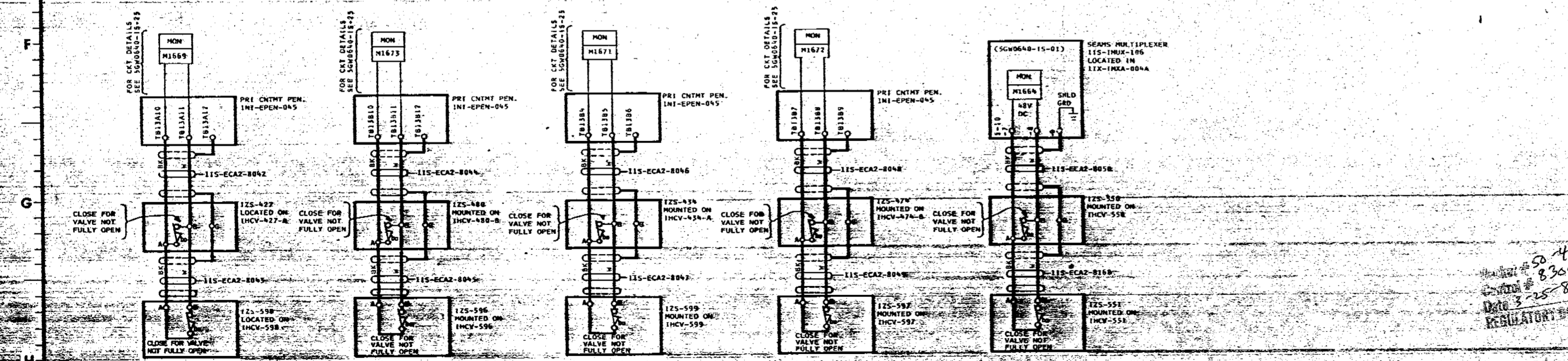
NOTES:
1. FOR GENERAL NOTES AND SYMBOLS SEE 56W1740-NV-01.
2. VALVE LIMIT SWITCHES SHOWN THIS SHEET WITH VALVES CLOSED.



BWST & DHR CLR IB TO MAKE UP PMP PIC SUCTION VALVE ZONE SW, IZS-172
BWST & DHR CLR IA TO MAKE UP PMP PIB SUCTION VALVE ZONE SW, IZS-219
BWST & DHR CLR IA TO MAKE UP PMP PIA SUCTION VALVE ZONE SW, IZS-386
MAKE UP PMP PIC DISCHARGE ISOL VALVE ZONE SW, IZS-403
MAKE UP PMP PIB DISCHARGE ISOL VALVE ZONE SW, IZS-423
MAKE UP TANK TO MAKE UP PMP PIB SUCTION ISOL VALVE ZONE SW, IZS-430
MAKE UP PMP PIA DISCHARGE ISOL VALVE ZONE SW, IZS-432



MAKE UP TANK TO MAKE UP PMP PIA SUCTION ISOL VALVE SW, IZS-439
NORMAL MAKE UP & HPI CROSSTIE ISOL VALVE ZONE SW, IZS-549
HPI TO RC PMP PIB2 DISCHARGE ISOL VALVE ZONE SW, IZS-418
HPI TO RC PMP PIB1 DISCHARGE ISOL VALVE ZONE SW, IZS-422
HPI TO RC PMP PIA1 DISCHARGE ISOL VALVE ZONE SW, IZS-425
HPI TO RC PMP PIA2 DISCHARGE ISOL VALVE ZONE SW, IZS-431
RC PMP SEAL RETURN TO RB NORMAL SUMP ISOL VALVE ZONE SW, IZS-601



HPI TO RC PMP PIA1 DISCHARGE ISOL VALVES ZONE SW, IZS-427 & 598
HPI TO RC PMP PIB2 DISCHARGE ISOL VALVES ZONE SW, IZS-480 & 596
HPI TO RC PMP PIA2 DISCHARGE ISOL VALVES ZONE SW, IZS-434 & 599
HPI TO RC PMP PIB1 DISCHARGE ISOL VALVES ZONE SW, IZS-474 & 597
SEAL INJECTION FROM MULTIPLEXER CROSS CONNECT ISOL VALVES ZONE SW, IZS-550 & 551

PRC APERTURE CARD

FIRST ISSUE FOR ECR 996

Form with fields for ECR NO., DATE, SCALE, GENERAL UNIT, SYSTEM SCHEMATIC MAKE-UP & PURIFICATION SYSTEM, BELLEFONTE NUCLEAR PLANT TENNESSEE VALLEY AUTHORITY, DIVISION OF ENGINEERING DESIGN, and various approval signatures and dates.

Handwritten notes: 50-438, 8304050536, Date 3-25-85, REGULATORY PROJECT FILE

INSPECTED AND APPROVED FOR ISSUE

NO. OF PROJ. SHEETS: 40