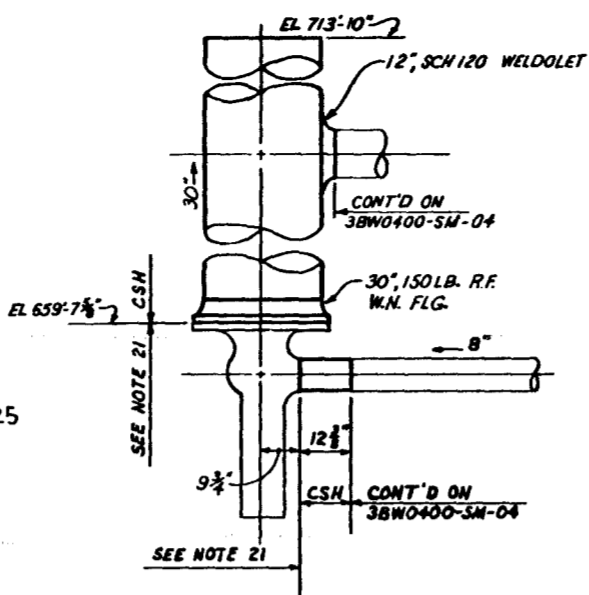
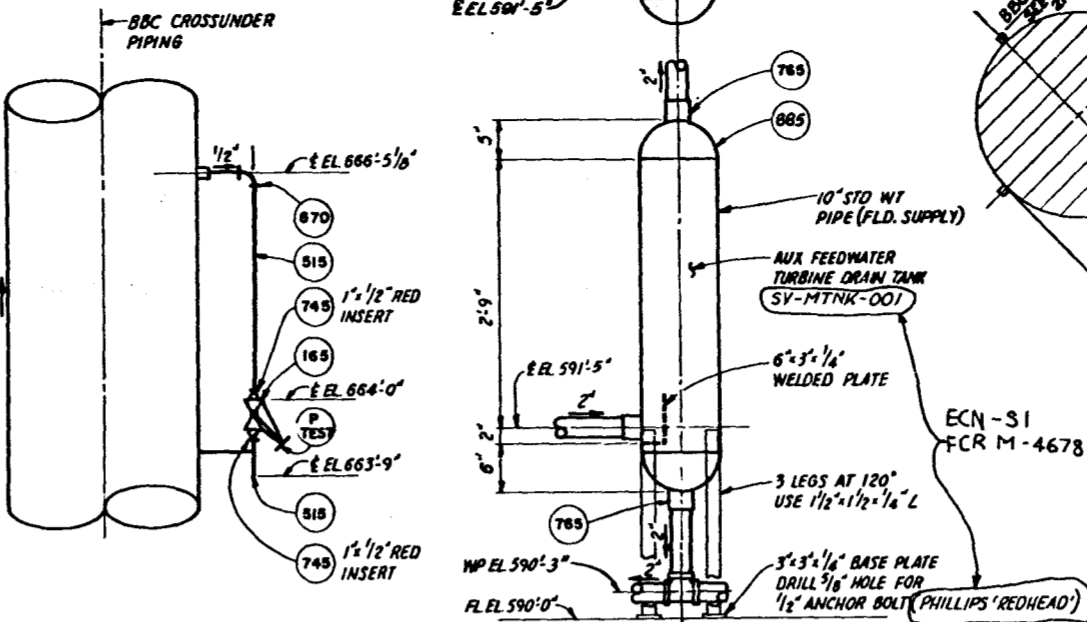


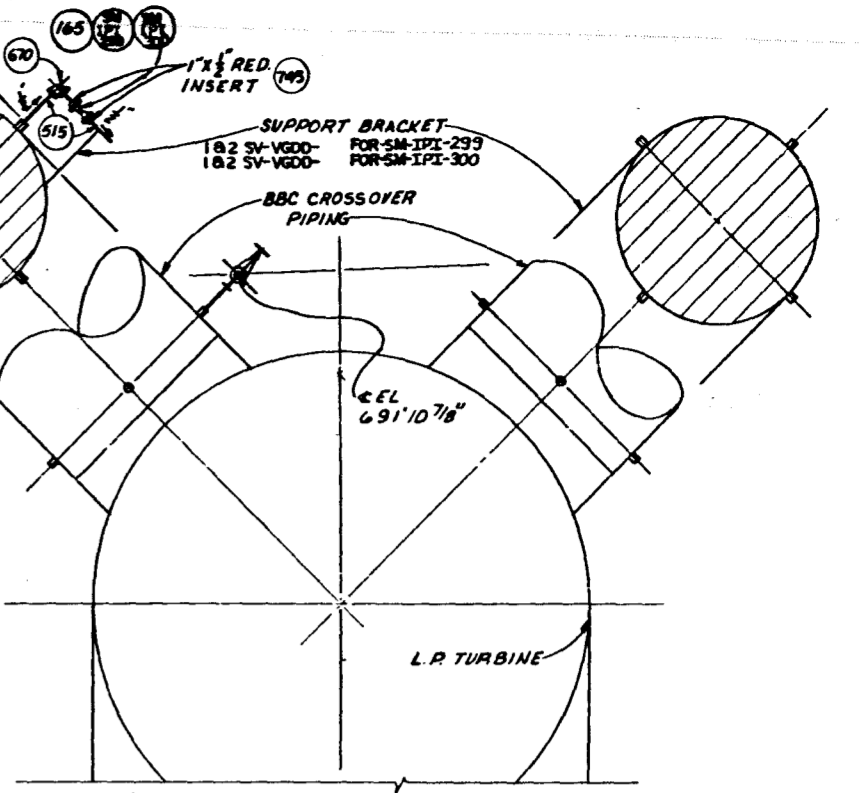
SECTION A13-A13  
(SHEET 03)



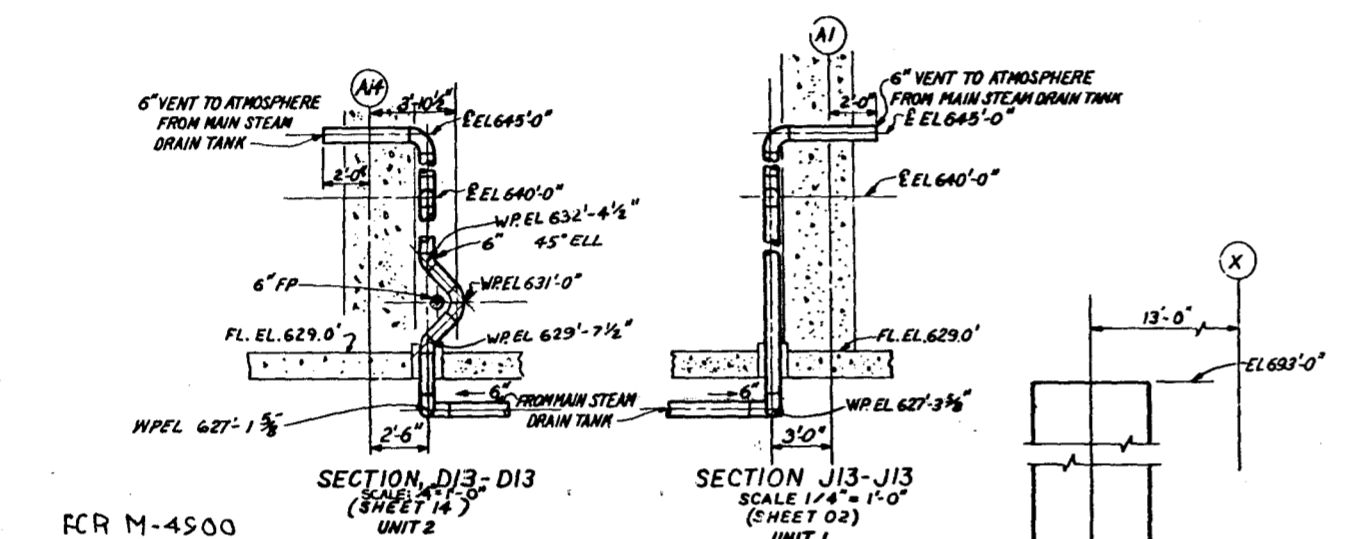
SECTION E13-E13  
(SHEET 04)



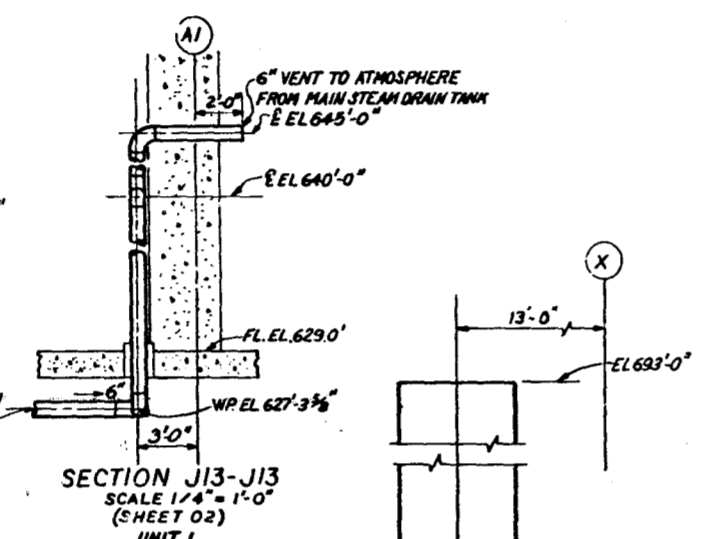
SECTION G13-G13  
SCALE NONE



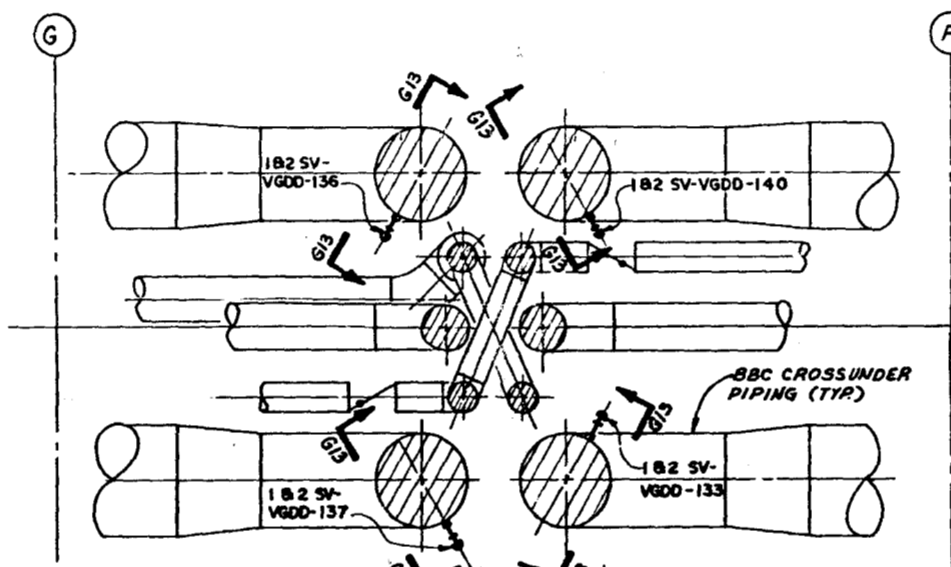
SECTION H13-H13  
(SHEET 07)  
N.T.S.



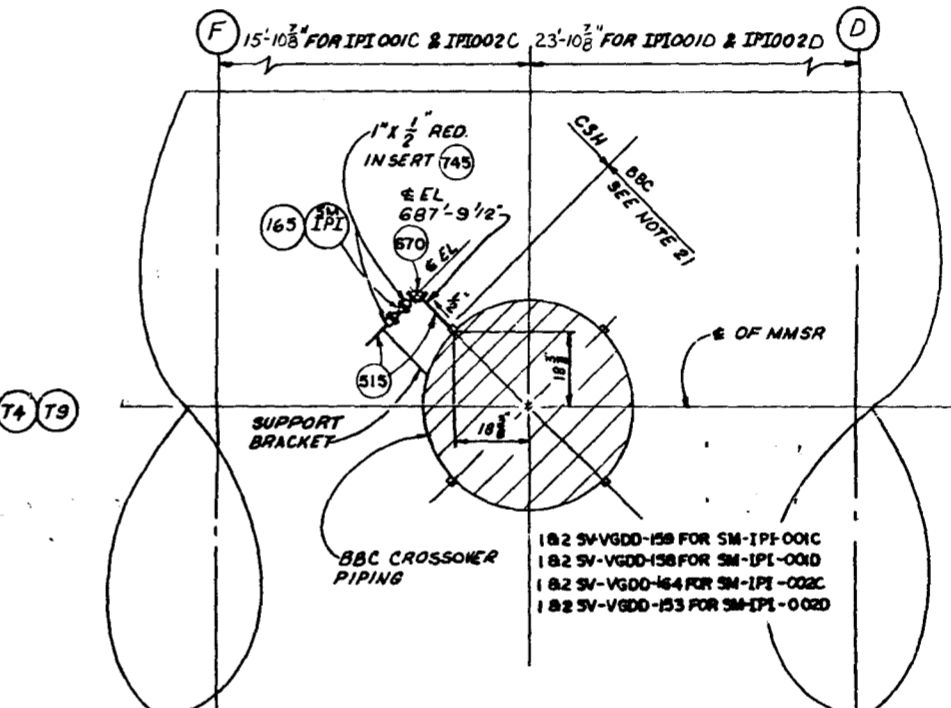
SECTION D13-D13  
SCALE 1/4\"/>



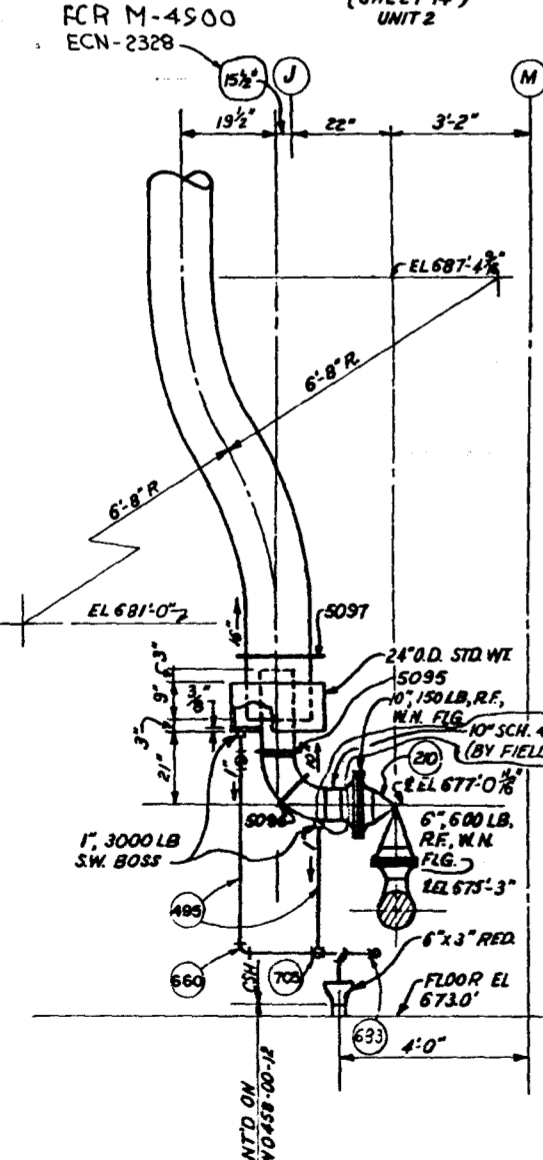
SECTION J13-J13  
SCALE 1/4\"/>



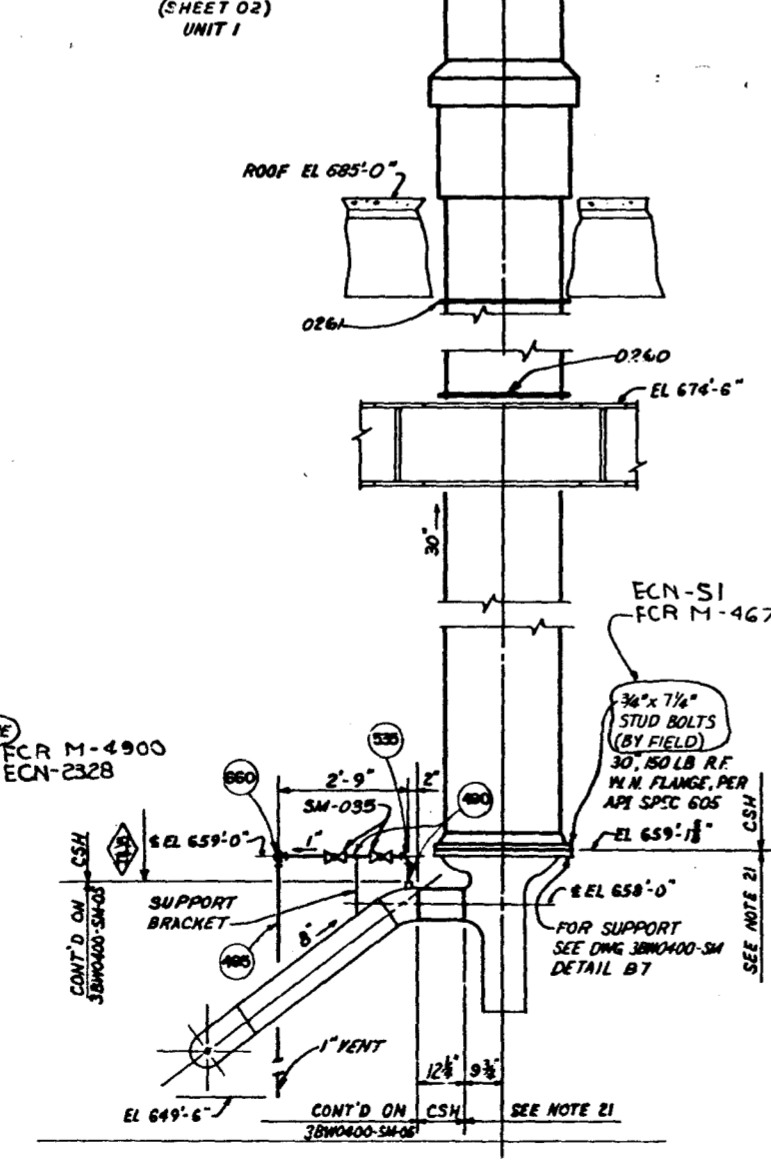
DETAIL A13  
(SHEET 07)  
N.T.S.



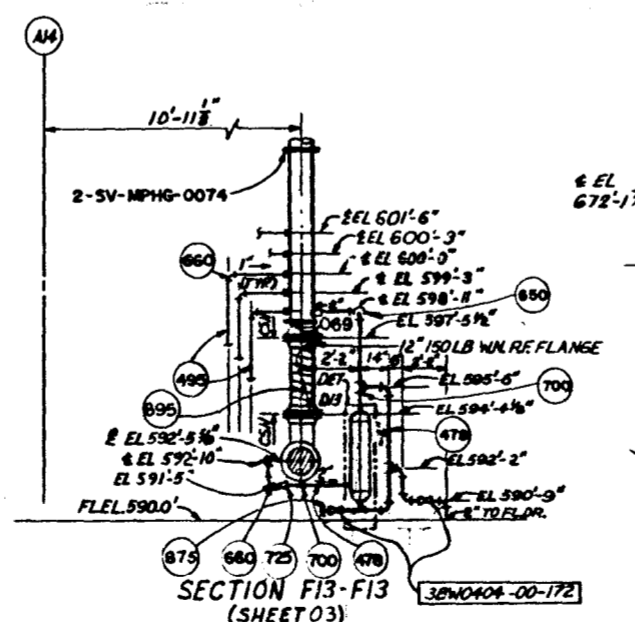
DETAIL C13  
(SHEET 07)  
N.T.S.



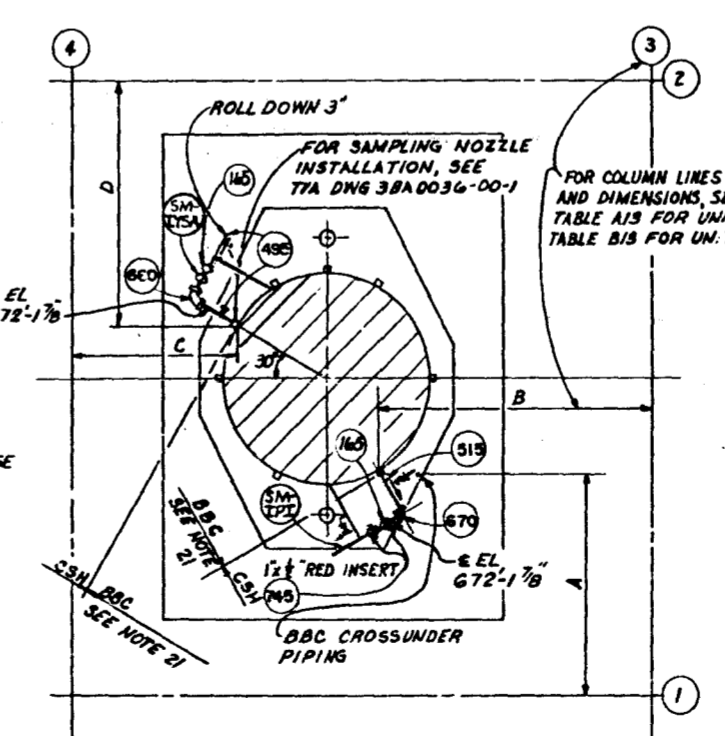
SECTION B13-B13  
(SHEET 10)



SECTION C13-C13  
(SHEET 03)



SECTION F13-F13  
(SHEET 03)  
UNIT 2  
N.T.S.



DETAIL B13  
UNIT 1 AS SHOWN, UNIT 2  
OPPOSITE HAND  
(SHEET 07)  
N.T.S.

TABLE A13

15V-SM	1	2	3	4	A	B	C	D
VGDD-138	T5	T6	E	F	---	---	17'-0"	12'-0"
VGDD-139	T5	T6	E	F	20'-0"	18'-0"	---	---
VGDD-132	T5	T6	D	E	---	---	18'-0"	12'-0"
VGDD-131	T5	T6	D	E	20'-0"	18'-0"	---	---
VGDD-130	T5	T6	F	E	---	---	17'-0"	12'-0"
VGDD-129	T5	T6	F	E	15'-0"	14'-0"	---	---
VGDD-128	T5	T6	E	D	---	---	17'-0"	12'-0"
VGDD-127	T5	T6	E	D	15'-0"	14'-0"	---	---

TABLE B13

25V-SM	1	2	3	4	A	B	C	D
VGDD-138	T8	T7	E	F	---	---	17'-0"	12'-0"
VGDD-139	T8	T7	E	F	20'-0"	18'-0"	---	---
VGDD-132	T8	T7	D	E	---	---	18'-0"	12'-0"
VGDD-131	T8	T7	D	E	20'-0"	18'-0"	---	---
VGDD-130	T8	T7	F	E	---	---	17'-0"	12'-0"
VGDD-129	T8	T7	F	E	15'-0"	14'-0"	---	---
VGDD-128	T8	T7	E	D	---	---	17'-0"	12'-0"
VGDD-127	T8	T7	E	D	15'-0"	14'-0"	---	---

NOTES:  
FOR GENERAL NOTES SEE SH-01 & FOR  
REFERENCE DWGS SEE SH-11.

MTI  
APERTURE  
CARD

NO.	REV.	DATE	BY	CHKD.	APPV.	REASON
6	S1	2-24-78	W.H. VEA	J.P. HAYES	W.S. HAYES	REVISED PER ECN 1002
5	INC	1-24-78	W.H. VEA	J.P. HAYES	W.S. HAYES	REVISED PER ECN 1002
4	S-1	2-24-78	W.H. VEA	J.P. HAYES	W.S. HAYES	REVISED PER ECN 1002
3	INC	1-24-78	W.H. VEA	J.P. HAYES	W.S. HAYES	REVISED PER ECN 1002
2	S1	1-29-78	W.H. VEA	J.P. HAYES	W.S. HAYES	REVISED PER ECN 1002

SCALE: 1/4" = 1'-0"  
EXCEPT AS NOTED  
POWERHOUSE  
UNITS 1&2  
MECHANICAL  
SAFETY VALVE VENTS AND  
MISCELLANEOUS MAIN STEAM

BELLEFONTE NUCLEAR PLANT  
TENNESSEE VALLEY AUTHORITY  
DIVISION OF ENGINEERING DESIGN

SUBMITTED: B.C. Hull  
RECOMMENDED: J.D. Reddy  
APPROVED: R.M. Holroyd

INSPECTED AND APPROVED FOR ISSUE: B.C. Hull  
KNOXVILLE 7-27-78 88 M 38W0409-SV-13 R6

8508060330