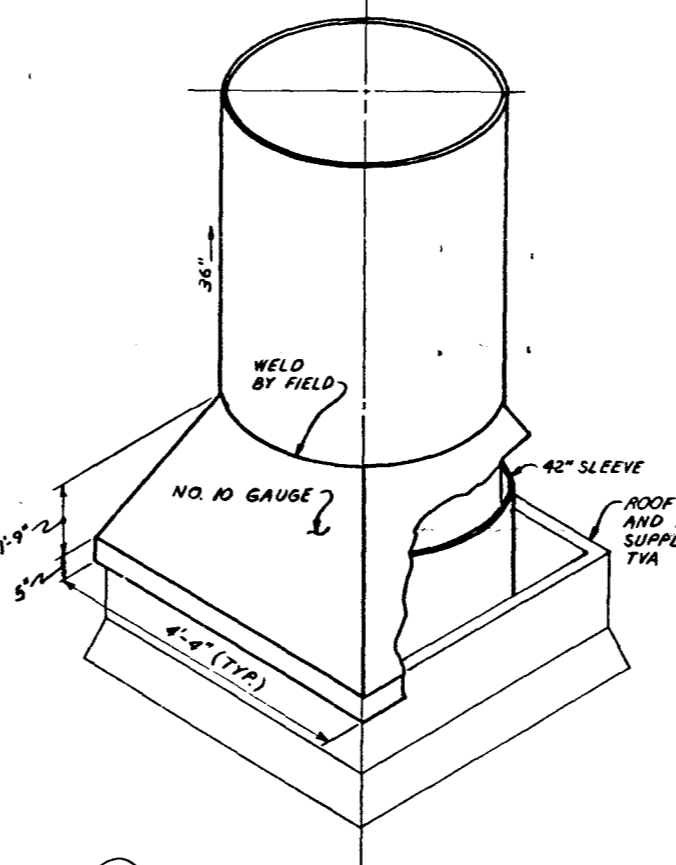
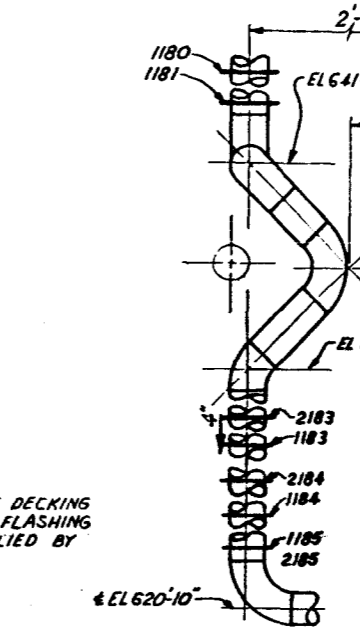


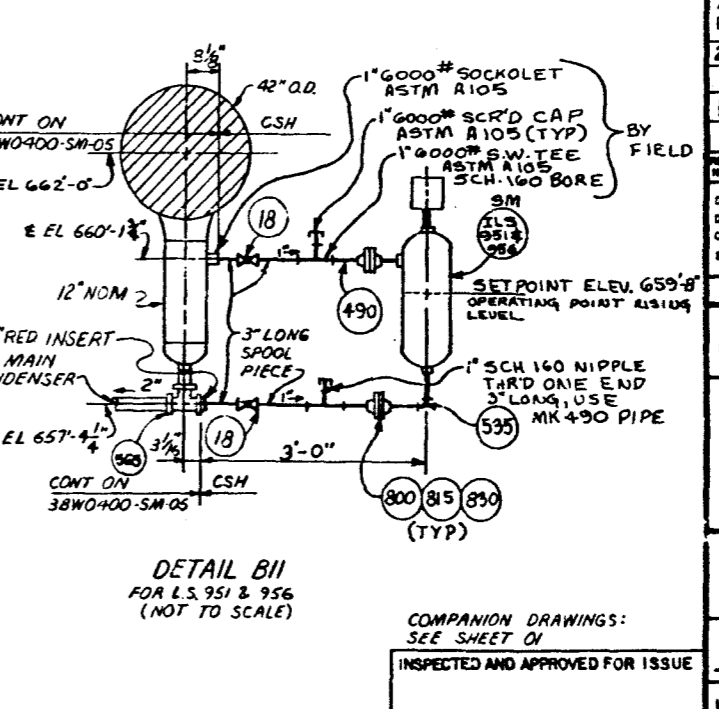
SECTION KII-KII
SCALE: 1/2" = 1'-0"
(SHEET 1)



RAIN HOOD DETAIL AII
(SHEETS 08 & 09)
NTS



SECTION JII-JII
UNIT 1 PIPING
UNITS 1 & 2 HANGERS
SCALE: 1/2" = 1'-0"
(SHEET 02)



DETAIL BII
FOR E.S. 951 & 956
(NOT TO SCALE)

REFERENCE DRAWINGS
FOR MANUFACTURER'S DETAIL OF:

EQUIPMENT	MANUFACTURER	DWG. NO.	CONT. NO.
1. MAIN STEAM SAFETY VALVES	CROSSBY	05-C-559-4	71052-5411-2
2. MS REHEATERS A AND B SAFETY VALVES	DRESSER	214628	71052-54621
3. MAIN STEAM DRAIN TANK	DRELIKA WELDING MACHINE & SUPPLY CO.	4907-2	75K10-86365-2
4. MAIN STEAM DRAIN TANK PUMP	SCULDS PUMPS, INC.	252-57	75K16-820157
5. ATMOSPHERIC DUMP VALVE, PILOT OPERATED	CONTROL COMPONENTS, INT.	02-24703NA-04	71052-54114-2
6. ATMOSPHERIC DUMP VALVE, MODULATING	CONTROL COMPONENTS, INT.	7769	71052-54114-2
7. MAIN CONDENSER	STUFF-NEST ENGRS. CO.	ETW401-36-10	75038-85052
8. MS REHEATERS A AND B	FOSTER WHEELER	58-1033-5-100 AND 1200	FURNISHED BY BSC 04 CONTR 71052-54621
9. MAIN FEED PUMP TURBINE	DELAVAL	D-65872	75K31-86190
10. AUXILIARY FEEDWATER PUMP TURBINE	TURBOHOME	LE-149514	75K31-76133
11. CONDENSER DUMP VALVE, PILOT OPERATED	CONTROL COMPONENTS, INT.	922101014	71062-54114-2
12. CONDENSER DUMP VALVE, MODULATING	CONTROL COMPONENTS, INT.	922100010	71062-54114-2
13. CONTAINMENT ISOLATION VALVE	COPE-S-VULCAN	ITEM #039	77K3-820663-3
14. MAIN STEAM PRESSURE REDUCING VALVE	MASON-EILAN	ITEM #026	77K3-820664-1
15. AUXILIARY STEAM PRESSURE REDUCING VALVE	MASON-EILAN	ITEM #022	77K3-820664-1
16. MMSR CROSSOVER PIPING	BBC	HTGD-015017	71062-54621
17. MMSR CROSSUNDER PIPING	BBC	HTGD-015243	71062-54621
18. MAIN STEAM DRN TK LEVEL SWITCHES	ROBERTSHAW	CS9-371-02	75K3-86243-1
19. MAIN STEAM DRN POTS	SW #951 & 956 MERCOLD 1281 LATER		79K15-825937
20. AIR VOLUME TANK	CONTROL COMPONENTS INT.	655300003	71062-54114-2

NOTE:
FOR GENERAL NOTES SEE SH-01.

APERTURE CARD

REV	NO.	DATE	BY	CHKD	DESCRIPTION
6	1289-S1	2-2-92	HEN/JH	JM	2.0 BS
ADDED ECH 1289, MINOR REVISIONS					
5	903	10-6-91	RET/MA	JM	1.0 BS
REMOVED HOLD & REVISED DWG TO COMPLY WITH ECH 903					
4	S1	3-25-91	RET/REB/PLM	JM	1.0 BS
INCORPORATE FCRT-JR, ADD HOLD; REANALYSIS NOT REQUIRED					
3	S1	7-23-90	REB/RET	MA	1.0 BS
REANALYSIS REQ'D FOR DCR #17					
2	S1	7-12-77	WED/ED	JM	1.0 BS
ADDED IOT MARK NUMBERS, I'S TO INSTRUMENT CONNECTIONS, REANALYSIS REQ'D FOR DCR #17					
1	ECH-S1	7-31-78	WED/ED	JM	1.0 BS
MINOR REVISIONS; REANALYSIS REQ'D PER DCR-150					

POWERHOUSE
UNITS 1 & 2

MECHANICAL
SAFETY VALVE VENTS AND
MISCELLANEOUS MAIN STEAM

BELLEFONTE NUCLEAR PLANT
TENNESSEE VALLEY AUTHORITY
DIVISION OF ENGINEERING DESIGN

NO.	ECH. NO.	DATE	CHKD.	BY	DESCRIPTION
1	ECH-S1	7-31-78	WED/ED	JM	1.0 BS

SCALE: 1/2" = 1'-0" EXCEPT AS NOTED

COMPANION DRAWINGS:
SEE SHEET 01

INSPECTED AND APPROVED FOR ISSUE

NO. 1188

NO. 1189

NO. 1190

NO. 1191

NO. 1192

NO. 1193

NO. 1194

NO. 1195

NO. 1196

NO. 1197

NO. 1198

NO. 1199

NO. 1200

8508060326