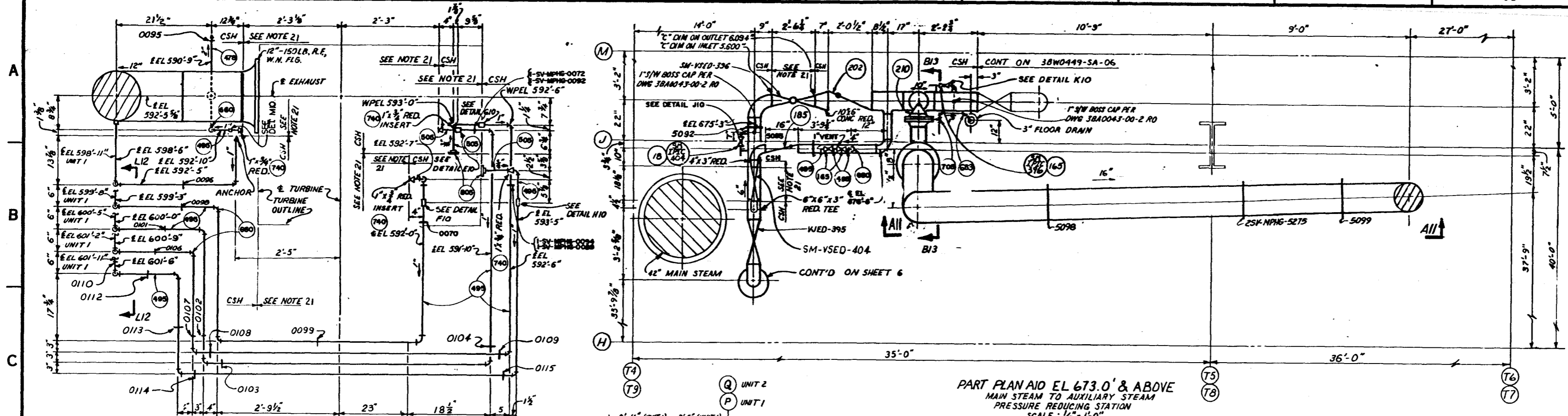
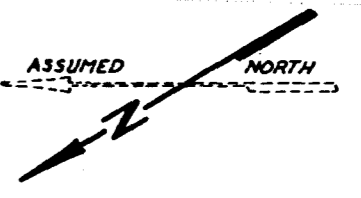


25693R12
A
B
C
D
E
F
G

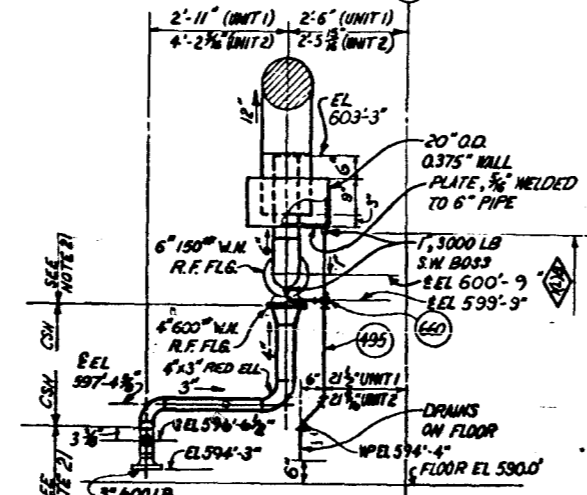
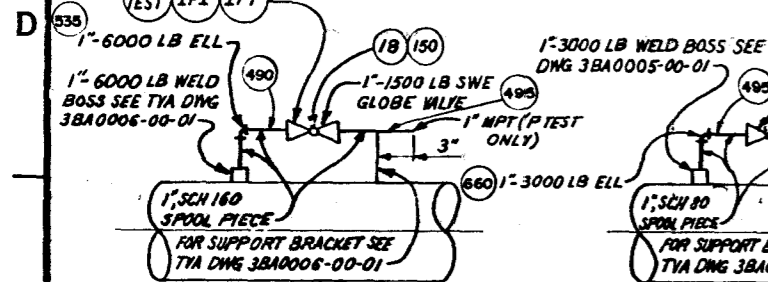


PART PLAN AID EL 673.0' & ABOVE
MAIN STEAM TO AUXILIARY STEAM
PRESSURE REDUCING STATION
SCALE: 1/2" = 1'-0"

DETAIL NO.	CPG SIZE (INCHES)	TO DIA. (INCHES)	SERVICE
C10	1"	0.875	MAIN STEAM DRAIN TANK PUMP RECIRCULATION (10GPM)
D10	1"	0.815	AUXILIARY FEED PUMP TURBINE EJECTOR DISCHARGE
F10	1"	0.815	AUXILIARY FEED PUMP TURBINE STEAM RING DRAIN
G10	1"	0.815	AUXILIARY FEED PUMP TURBINE STEAM CHEST DRAIN
H10	1"	0.815	AUXILIARY FEED PUMP TURBINE T&T VALVE ABOVE SEAT DRAIN
L10	DELETED		AUXILIARY FEED PUMP TURBINE T&T VALVE BELOW SEAT DRAIN
M10	1"	0.815	AUXILIARY FEED PUMP TURBINE EXHAUST DRAIN
			AUXILIARY FEED PUMP TURBINE CASING DRAIN

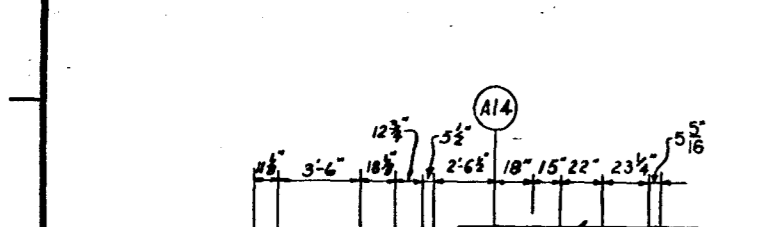
API
APERTURE
CARD

DETAIL A10
AUXILIARY FEEDWATER PUMP
TURBINE DRAINS
SCALE: 1" = 1'-0"
(SHEET 3)

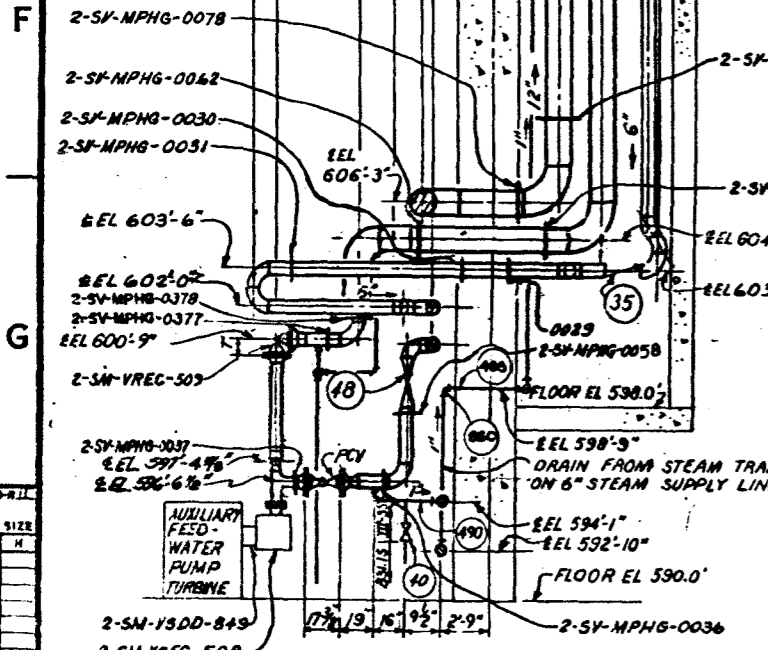
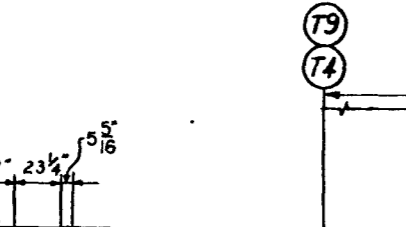


SECTION D10-D10
SAFETY VALVE VENT PIPING FOR
AUXILIARY FEEDWATER PUMP TURBINE
SCALE: 1/2" = 1'-0"
(SHEET 03)

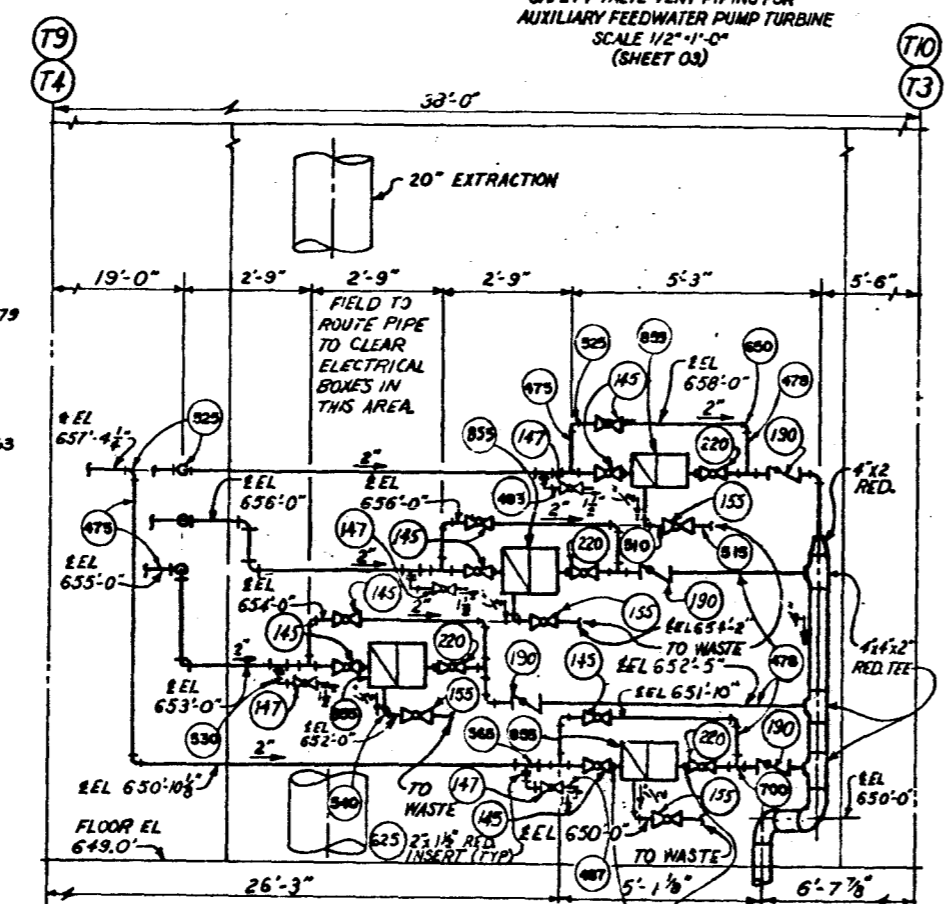
DETAIL J10
TYPICAL FOR ALL PRESSURE CONNECTIONS
ABOVE 650 PSI
NTS



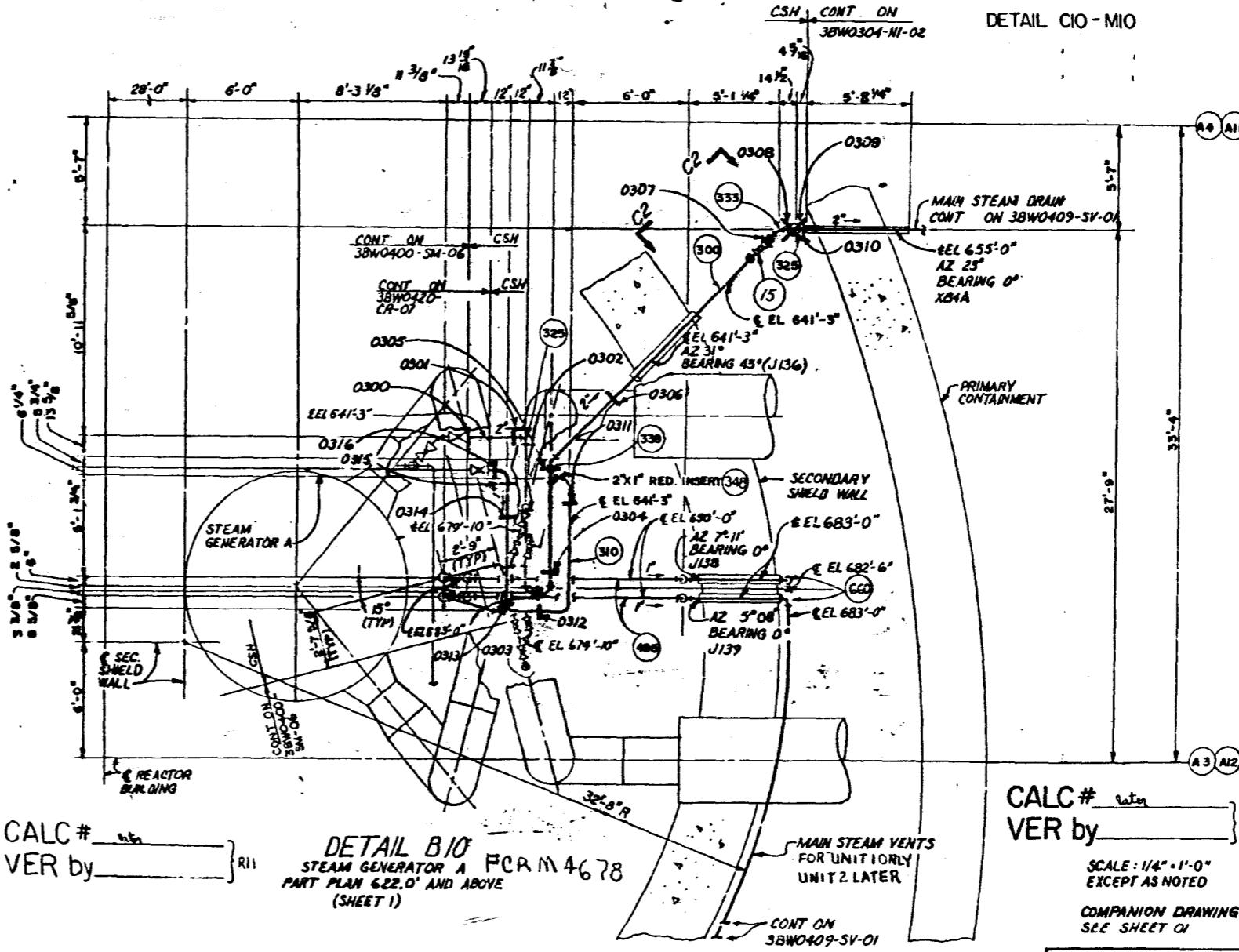
DETAIL K10
TYPICAL FOR ALL PRESSURE CONNECTIONS
650 PSI & BELOW
NTS



SECTION A10-A10
AUXILIARY FEEDWATER PUMP TURBINE
UNIT 2
(SHEET 3)



SECTION C10-C10
MAIN STEAM TRAPS
SCALE: 1/2" = 1'-0"
(SHEET 6)



DETAIL B10
STEAM GENERATOR A
PART PLAN 622.0' AND ABOVE
(SHEET 1)

CALC#
VER by

SCALE: 1/4" = 1'-0"
EXCEPT AS NOTED
COMPANION DRAWINGS:
SEE SHEET 01

INSPECTED AND APPROVED FOR ISSUE
DESIGN PROJECT MANAGER

NO.	DATE	DESCRIPTION	BY	CHKD
12	12/11/77	INC ECH 2718 NO REANALYSIS REQ'D	BC	BC
11	12/11/77	INC ECH 1540 (FCR M-4678) REANALYSIS PER DCR'S 2399, 2428, ECH 2034 (FCR M-4869) REANALYSIS PER DCR 2613, ECH 2328 (FCR M-4900) AND 2218 NO REANALYSIS REQ'D.	BC	BC
10	3/1/77	REMOVE AND REVISE HOLD, MINOR REVISIONS, REANALYSIS PER DCR 1698.	BC	BC
9	12/11/77	REVISED HOLD; INCORPORATED FCR'S M-3884, M-3898 AND M-3719, NO REANALYSIS REQUIRED; MINOR REVISIONS, REVISE HOLDS.	BC	BC
8	5-1	3-2-72 NEW HOLD/REVISE HOLD	BC	BC
7	3-1	2-17-72 NEW HOLD/REVISE HOLD	BC	BC
6	5-1, 10-2	10-6-31 NEW HOLD/REVISE HOLD	BC	BC
5	5-1	3-25-81 NEW HOLD/REVISE HOLD	BC	BC
4	5-1	7-21-78 NEW HOLD/REVISE HOLD	BC	BC
3	5-1, 5-9	7-21-77 NEW HOLD/REVISE HOLD	BC	BC
2	5-1	5-1-77 NEW HOLD/REVISE HOLD	BC	BC
1	5-1	7-27-72 NEW HOLD/REVISE HOLD	BC	BC

POWERHOUSE
UNITS 1 & 2

MECHANICAL
SAFETY VALVE VENTS AND
MISCELLANEOUS MAIN STEAM

BELLEFONTE NUCLEAR PLANT
TENNESSEE VALLEY AUTHORITY
DIVISION OF ENGINEERING DESIGN

SUBMITTED: *BC Hall* RECOMMENDED: *J.P. Price* APPROVED: *BC Hall*

KNOXVILLE 12-11-77 88 M 38W0409-SV-10 R12

8508060324