



ENGINE SYSTEMS, INC.

175 Freight Road
Rocky Mount, NC 27804

Telephone: 252/977-2720
Fax: 252/446-1134

April 5, 2011

U.S. Nuclear Regulatory Commission
Document Control Desk
Washington, DC 20555-0001

Subject: 10CFR21 Reporting of Defects and Non-Compliance -
Engine Systems, Inc. Report No. 10CFR21-0098, Rev. 1

Amot Thermostatic Valve Element
P/N: 9760X

Dear Sir:

The enclosed report addresses a revision to reportable notification for an Amot thermostatic valve element, P/N: 9760X. The report has been revised to address the safety hazard which is created or could be created by this defect.

A copy of the report has been mailed to our affected nuclear customers.

Please sign below, acknowledging receipt of this report, and return a copy to the attention of Document Control at the address above (or, fax to number 252/446-1134) within 10 working days after receipt.

Yours very truly,

ENGINE SYSTEMS, INC.

Susan Woolard
Document Control

Please let us know if ANY of your mailing information changes - name of recipient, name of company/facility, address, etc. Mark the changes on this acknowledgment form and send to us by mail or FAX to the number above.

93

RECEIVED: _____

DATE: _____

*JE 19
MRR*



ENGINE SYSTEMS, INC.

175 Freight Road, Rocky Mount, NC 27804

Telephone: 252/977-2720

Fax: 252/446-1134

Report No. 10CFR21-0098

Rev. 0: 12/01/09

Rev. 1: 03/30/11

10CFR21 REPORTING OF DEFECTS AND NON-COMPLIANCE

COMPONENT: Amot thermostatic valve element
P/N: 9760X

SYSTEM: Emergency Diesel Generator – lube oil & jacket water system

CONCLUSION: Reportable in accordance with 10CFR21

Prepared By: 
Engineering Manager

Date: 3/30/11

Reviewed By: 
Quality Assurance Manager

Date: 3-30-11

REV	DATE	PAGE	DESCRIPTION
0	12/01/09		Initial issue.
1	03/30/11	1	Under Purpose, added the last 2 sentences to address the safety hazard which is created or could be created by this defect.

COMPONENT:

Amot thermostatic valve element
Amot P/N: 9760X

PURPOSE:

This report is a follow-up to an interim report (10CFR21-0098-INT) issued by Engine Systems, Inc. (ESI) on 10/23/09 which identified a deviation with an Amot thermostatic valve element. The interim report was issued because ESI was not able to complete the evaluation within the 60 day requirement of 10CFR21. The evaluation was completed on 11/30/09 and the deviation was determined to be a reportable defect as defined by 10CFR21. This defect could affect operability of the thermostatic valve within the diesel engine cooling water and/or lube oil system, resulting in elevated fluid system temperatures during engine operation. Engine performance and/or load carrying capability could be impacted with the possibility of eventual engine failure, thereby preventing the emergency diesel generator from performing its safety related function.

SUMMARY:

ESI began an evaluation of a thermostatic valve element failure on August 24, 2009. Palo Verde Nuclear Plant notified ESI of the failure as a result of a failure analysis they were performing on a thermostatic valve that had been removed from the lube oil system of their 2A-EDG. The element was in service since April 2008 and Palo Verde verified operation of the element prior to installation. The Palo Verde failure analysis report, performed by Exelon Power Labs, is a proprietary document and therefore a copy is not included in this notification.

The Palo Verde failure analysis determined that one of two elements within the valve was defective. The element failure was attributed to wax leakage past the diaphragm seal on one of two power pills within the element. Evidence of mechanical binding of the piston is believed to have caused the wax leakage. If the piston was jammed, the expanding wax could have over-pressurized the diaphragm seal leading to wax leakage. The failure analysis noted the following to support piston binding:

- The piston was initially difficult to remove from its guide tube.
- A gouge was observed on the piston surface.
- The rubber plug within the power pill exhibited brass machining chip debris.

The Exelon analysis also reports that similar brass machining debris was observed on the plugs from the other three power pills to varying degrees. None of the stems of these pills displayed evidence of gouging or binding.

To date, no other similar failures with Amot thermostatic valves have been reported to ESI.

ESI has contacted the valve manufacturer (Amot) to discuss these findings. A copy of the Palo Verde failure analysis and eleven (11) element assemblies from ESI inventory were sent to Amot for evaluation. The following elements were sent to Amot for evaluation:

- Qty. 8: P/N 9760X-170* (CES P/N 2-05V-419-107)
- Qty. 3: P/N 9760X-160* (CES P/N 2-05V-419-109)

*Both part number elements are the same except for the temperature setting ("170" indicates 170°F nominal and "160" indicates 160°F nominal).

Upon completion of their evaluation, Amot has reported the following:

- Fine shavings/powder of brass was observed in some of the element pills.
- None of the pill stems had any evidence of gouging.
- The pills used in the 9760X elements are made by converting another part number pill. This conversion consists of removing the stem from the pill and performing some machining. Amot believes the brass debris may have entered the pill as a result of this conversion process.
- Amot has not made any changes to this conversion process in recent history and has not had reports of similar problems with these elements.
- Machining debris, while undesirable, was evident in other pills which did not exhibit any operability issues; therefore this is not believed to be the cause of the pill failure.
- The primary cause of the failure is believed to be the gouge found in the pill stem. The gouge could have occurred during the conversion process as the stem is removed and handled at that time.
- As a precaution, Amot has made changes to their conversion process for this pill. The drilling fixture was modified to eliminate the possibility of chips entering the pill during the machining operation. This change was made effective 10/22/09.

DISCUSSION:

The Amot type 9760X elements are used in the Amot type "H" thermostatic valve. These valves are used in some Cooper-Bessemer KSV diesel engine jacket water and/or lube oil systems to maintain proper system temperatures during engine operation. A very limited number of EMD diesel engines also use the type "H" valve in the jacket water system.

Each valve uses 2 thermostatic elements, Amot type 9760X (item 2 in Figure 1). The element being investigated for the Palo Verde application has a nominal temperature setting of 160°F and therefore the element part number is 9760X-160.

The 9760X element contains two power pills (Figure 2). The power pills contain a temperature sensitive wax that expands with increasing temperature and provides the motive force to lift the element off of its seat.

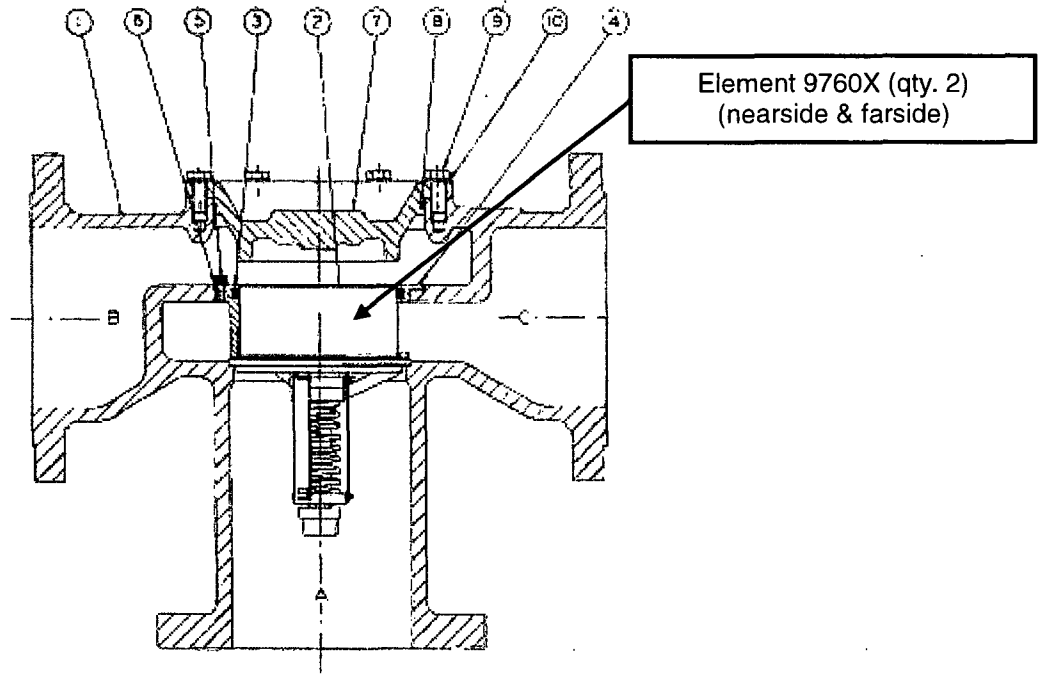


FIGURE 1: AMOT THERMOSTATIC VALVE

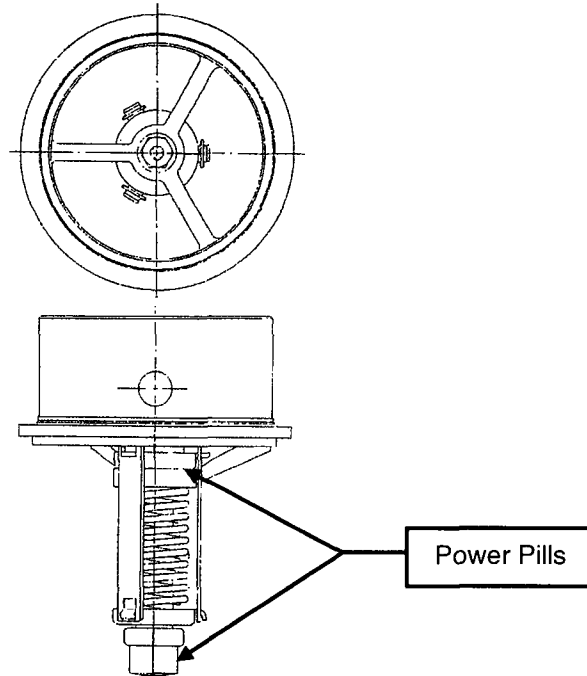


FIGURE 2: VALVE ELEMENT 9760X

AFFECTED USERS:

A listing of users with the thermostatic valves that contain the Amot 9760X element is provided in the table below.

LISTING OF DIESEL ENGINES WITH 9760X ELEMENTS

Site	Diesel Engine			Thermostatic Valve	Systems
	Mfg	Model	Cyl		
Braidwood/Byron	C-B	KSV	20	6HAS	Lube
Nine Mile Point	C-B	KSV	16	6HAS	Lube
Oconee	EMD	645	12 & 16	4HAS & 6HAS	Water
Palo Verde	C-B	KSV	20	6HAS	Lube & Water
South Texas Project	C-B	KSV	20	6HAS	Lube & Water
Susquehanna	C-B	KSV	20	6HAS	Lube & Water
Waterford	C-B	KSV	16	5HAS & 6HAS	Lube & Water
Laguna Verde - Mexico	EMD	645	16	6HAS	Water

CORRECTIVE ACTION:

The element failure at Palo Verde is considered to be an isolated incident related to a gouge in the pill stem. Thus, there is no recommended corrective action for users of the Amot 9760X element.

The evaluation also indicated a weakness in Amot's manufacturing process for the element pill which introduced machining debris. While not believed to be the cause of the Palo Verde element failure, machining debris within the element pill is undesirable and increases the potential for failure in the future. Users with thermostatic valves containing Amot P/N 9760X elements should be aware of this issue so that they can monitor their systems for any indications of thermostat element problems.