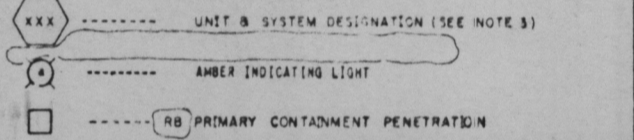


REFERENCE DRAWINGS	
2AW0739-ED-1	TRANSFORMER AC AUX. PWR. SYS. SINGLE LINE
2AW0739-ED-1	180V SWGR 1X2 (2ED-ELV-18)
2AW0739-ED-1	480V SWGR 2X3 (2ED-ELV-19)
2AW0739-ED-1	480V SWGR 3X3 (2ED-ELV-19)
2AW0739-ED-1	480V SWGR 4X3 (2ED-ELV-19)
2AW0739-ED-1	480V SWGR 5X3 (2ED-ELV-19)
2AW0739-ED-1	480V SWGR 6X3 (2ED-ELV-19)
2AW0739-ED-1	480V SWGR 7X3 (2ED-ELV-19)
2AW0739-ED-1	480V SWGR 8X3 (2ED-ELV-19)
2AW0739-ED-1	480V SWGR 9X3 (2ED-ELV-19)
2AW0739-ED-1	480V SWGR 10X3 (2ED-ELV-19)
2AW0739-ED-1	480V SWGR 11X3 (2ED-ELV-19)
2AW0739-ED-1	480V SWGR 12X3 (2ED-ELV-19)
2AW0739-ED-1	480V SWGR 13X3 (2ED-ELV-19)
2AW0739-ED-1	480V SWGR 14X3 (2ED-ELV-19)
2AW0739-ED-1	480V SWGR 15X3 (2ED-ELV-19)
2AW0739-ED-1	480V SWGR 16X3 (2ED-ELV-19)
2AW0739-ED-1	480V SWGR 17X3 (2ED-ELV-19)
2AW0739-ED-1	480V SWGR 18X3 (2ED-ELV-19)
2AW0739-ED-1	480V SWGR 19X3 (2ED-ELV-19)
2AW0739-ED-1	480V SWGR 20X3 (2ED-ELV-19)
2AW0739-ED-1	480V SWGR 21X3 (2ED-ELV-19)
2AW0739-ED-1	480V SWGR 22X3 (2ED-ELV-19)
2AW0739-ED-1	480V SWGR 23X3 (2ED-ELV-19)
2AW0739-ED-1	480V SWGR 24X3 (2ED-ELV-19)
2AW0739-ED-1	480V SWGR 25X3 (2ED-ELV-19)
2AW0739-ED-1	480V SWGR 26X3 (2ED-ELV-19)
2AW0739-ED-1	480V SWGR 27X3 (2ED-ELV-19)
2AW0739-ED-1	480V SWGR 28X3 (2ED-ELV-19)
2AW0739-ED-1	480V SWGR 29X3 (2ED-ELV-19)
2AW0739-ED-1	480V SWGR 30X3 (2ED-ELV-19)
2AW0739-ED-1	480V SWGR 31X3 (2ED-ELV-19)
2AW0739-ED-1	480V SWGR 32X3 (2ED-ELV-19)
2AW0739-ED-1	480V SWGR 33X3 (2ED-ELV-19)
2AW0739-ED-1	480V SWGR 34X3 (2ED-ELV-19)
2AW0739-ED-1	480V SWGR 35X3 (2ED-ELV-19)
2AW0739-ED-1	480V SWGR 36X3 (2ED-ELV-19)
2AW0739-ED-1	480V SWGR 37X3 (2ED-ELV-19)
2AW0739-ED-1	480V SWGR 38X3 (2ED-ELV-19)
2AW0739-ED-1	480V SWGR 39X3 (2ED-ELV-19)
2AW0739-ED-1	480V SWGR 40X3 (2ED-ELV-19)
2AW0739-ED-1	480V SWGR 41X3 (2ED-ELV-19)
2AW0739-ED-1	480V SWGR 42X3 (2ED-ELV-19)
2AW0739-ED-1	480V SWGR 43X3 (2ED-ELV-19)
2AW0739-ED-1	480V SWGR 44X3 (2ED-ELV-19)
2AW0739-ED-1	480V SWGR 45X3 (2ED-ELV-19)
2AW0739-ED-1	480V SWGR 46X3 (2ED-ELV-19)
2AW0739-ED-1	480V SWGR 47X3 (2ED-ELV-19)
2AW0739-ED-1	480V SWGR 48X3 (2ED-ELV-19)
2AW0739-ED-1	480V SWGR 49X3 (2ED-ELV-19)
2AW0739-ED-1	480V SWGR 50X3 (2ED-ELV-19)
2AW0739-ED-1	480V SWGR 51X3 (2ED-ELV-19)
2AW0739-ED-1	480V SWGR 52X3 (2ED-ELV-19)
2AW0739-ED-1	480V SWGR 53X3 (2ED-ELV-19)
2AW0739-ED-1	480V SWGR 54X3 (2ED-ELV-19)
2AW0739-ED-1	480V SWGR 55X3 (2ED-ELV-19)
2AW0739-ED-1	480V SWGR 56X3 (2ED-ELV-19)
2AW0739-ED-1	480V SWGR 57X3 (2ED-ELV-19)
2AW0739-ED-1	480V SWGR 58X3 (2ED-ELV-19)
2AW0739-ED-1	480V SWGR 59X3 (2ED-ELV-19)
2AW0739-ED-1	480V SWGR 60X3 (2ED-ELV-19)
2AW0739-ED-1	480V SWGR 61X3 (2ED-ELV-19)
2AW0739-ED-1	480V SWGR 62X3 (2ED-ELV-19)
2AW0739-ED-1	480V SWGR 63X3 (2ED-ELV-19)
2AW0739-ED-1	480V SWGR 64X3 (2ED-ELV-19)
2AW0739-ED-1	480V SWGR 65X3 (2ED-ELV-19)
2AW0739-ED-1	480V SWGR 66X3 (2ED-ELV-19)
2AW0739-ED-1	480V SWGR 67X3 (2ED-ELV-19)
2AW0739-ED-1	480V SWGR 68X3 (2ED-ELV-19)
2AW0739-ED-1	480V SWGR 69X3 (2ED-ELV-19)
2AW0739-ED-1	480V SWGR 70X3 (2ED-ELV-19)
2AW0739-ED-1	480V SWGR 71X3 (2ED-ELV-19)
2AW0739-ED-1	480V SWGR 72X3 (2ED-ELV-19)
2AW0739-ED-1	480V SWGR 73X3 (2ED-ELV-19)
2AW0739-ED-1	480V SWGR 74X3 (2ED-ELV-19)
2AW0739-ED-1	480V SWGR 75X3 (2ED-ELV-19)
2AW0739-ED-1	480V SWGR 76X3 (2ED-ELV-19)
2AW0739-ED-1	480V SWGR 77X3 (2ED-ELV-19)
2AW0739-ED-1	480V SWGR 78X3 (2ED-ELV-19)
2AW0739-ED-1	480V SWGR 79X3 (2ED-ELV-19)
2AW0739-ED-1	480V SWGR 80X3 (2ED-ELV-19)
2AW0739-ED-1	480V SWGR 81X3 (2ED-ELV-19)
2AW0739-ED-1	480V SWGR 82X3 (2ED-ELV-19)
2AW0739-ED-1	480V SWGR 83X3 (2ED-ELV-19)
2AW0739-ED-1	480V SWGR 84X3 (2ED-ELV-19)
2AW0739-ED-1	480V SWGR 85X3 (2ED-ELV-19)
2AW0739-ED-1	480V SWGR 86X3 (2ED-ELV-19)
2AW0739-ED-1	480V SWGR 87X3 (2ED-ELV-19)
2AW0739-ED-1	480V SWGR 88X3 (2ED-ELV-19)
2AW0739-ED-1	480V SWGR 89X3 (2ED-ELV-19)
2AW0739-ED-1	480V SWGR 90X3 (2ED-ELV-19)
2AW0739-ED-1	480V SWGR 91X3 (2ED-ELV-19)
2AW0739-ED-1	480V SWGR 92X3 (2ED-ELV-19)
2AW0739-ED-1	480V SWGR 93X3 (2ED-ELV-19)
2AW0739-ED-1	480V SWGR 94X3 (2ED-ELV-19)
2AW0739-ED-1	480V SWGR 95X3 (2ED-ELV-19)
2AW0739-ED-1	480V SWGR 96X3 (2ED-ELV-19)
2AW0739-ED-1	480V SWGR 97X3 (2ED-ELV-19)
2AW0739-ED-1	480V SWGR 98X3 (2ED-ELV-19)
2AW0739-ED-1	480V SWGR 99X3 (2ED-ELV-19)
2AW0739-ED-1	480V SWGR 100X3 (2ED-ELV-19)

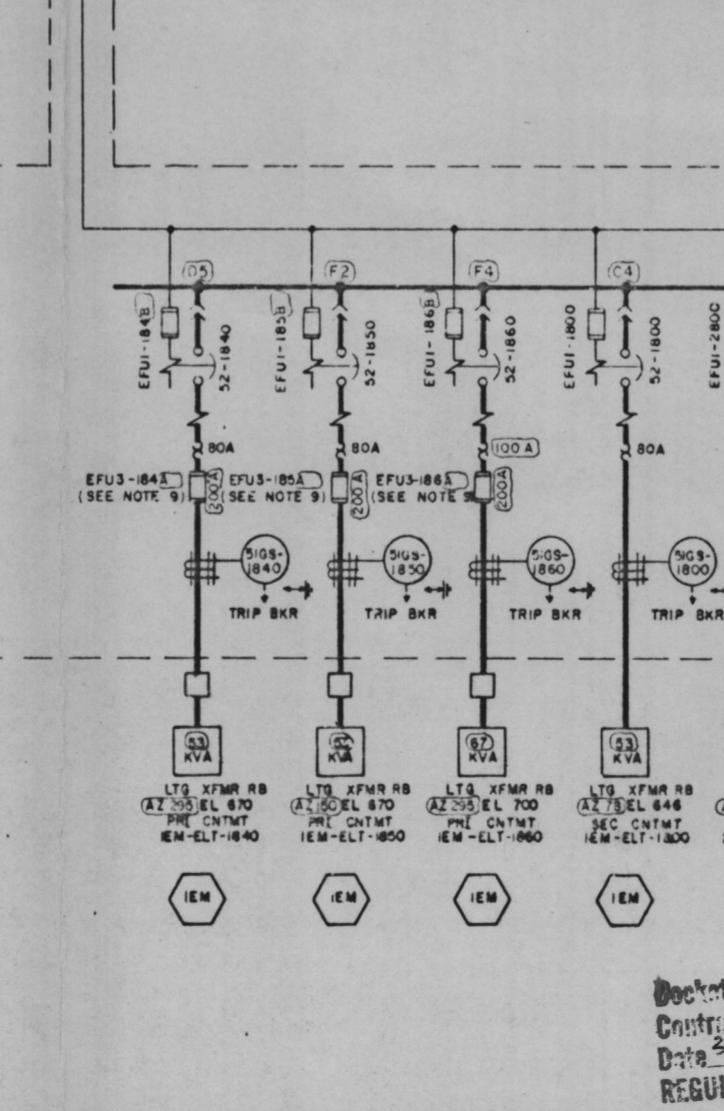
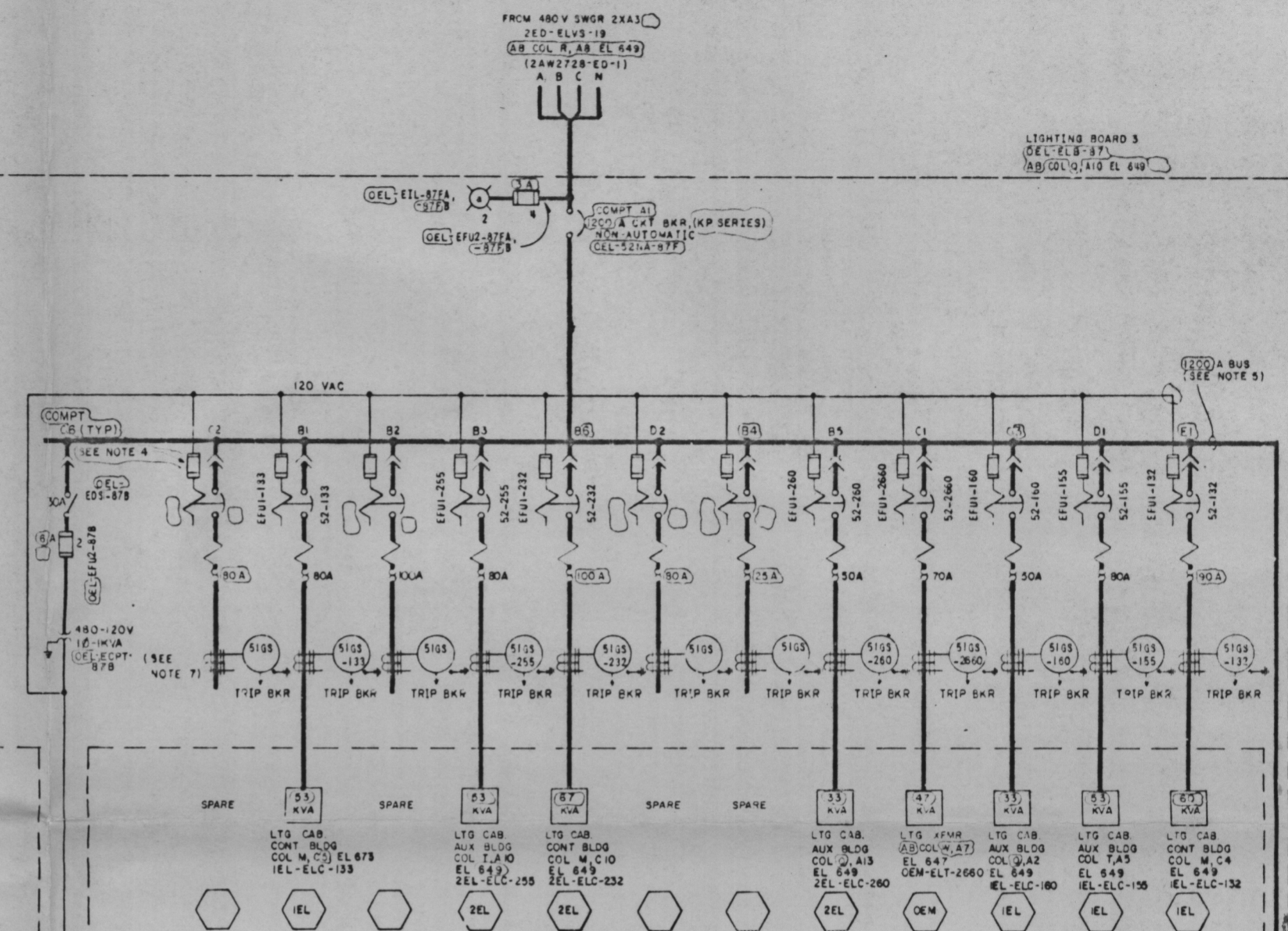
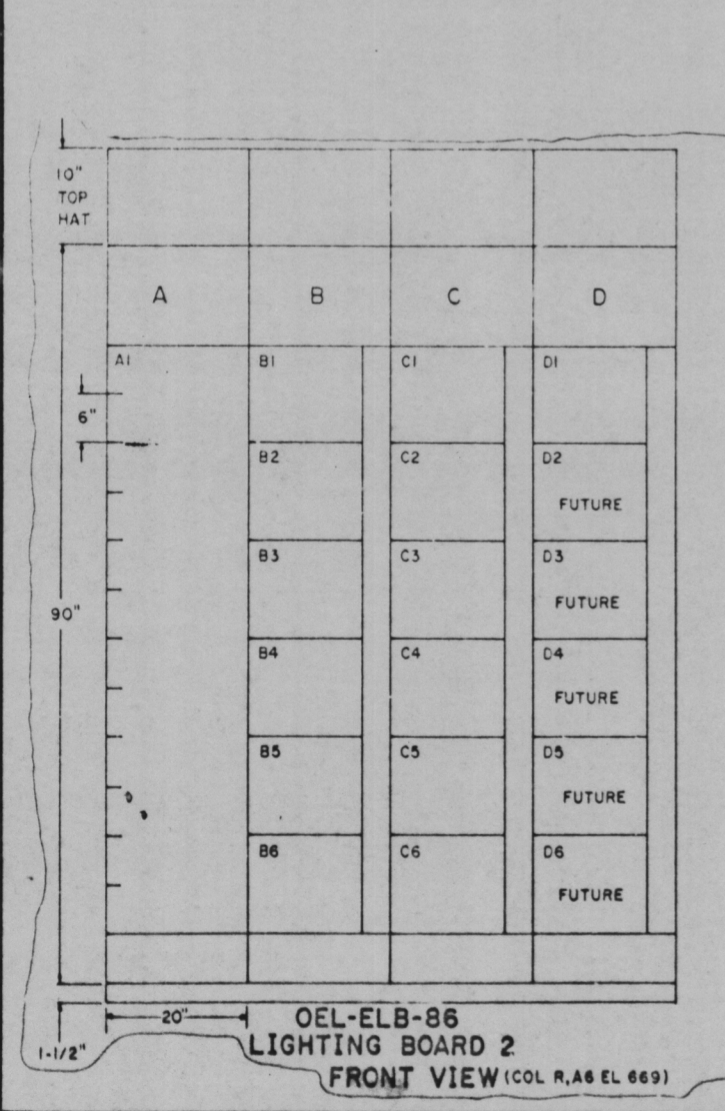
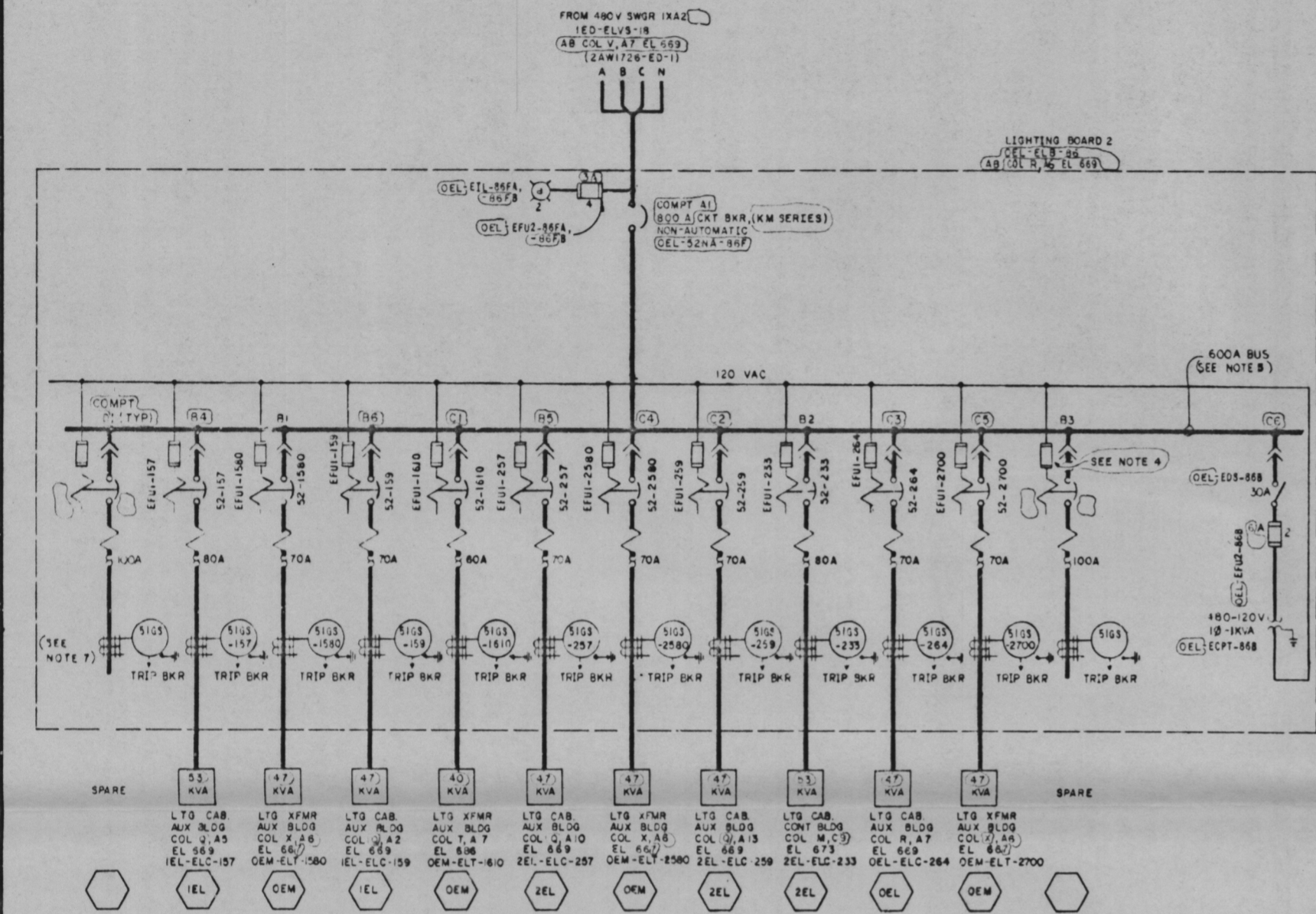
- NOTES:
- LIGHTING BOARDS (MCC) PROVIDED ON TVA CONTRACT 75K5-06242 (MCC 2000-175)
  - ALL WOLDED CASE CIRCUIT BREAKERS ARE 3-POLE, 600V, THERMAL-MAGNETIC WITH AN INTERRUPTING RATING OF NOT LESS THAN 25,000 RMS SYMMETRICAL AT 480 VOLTS. ALL CKT BREAKERS ARE COA FRAME, ITC HE SERIES WITH SHUNT TRIP, EXCEPT AS NOTED. THE PICK UP VOLTAGE OF THE SHUNT TRIP COIL IS 55% OF THE RATED VOLTAGE.
  - UNITS FOR LOAD BREAKERS AND THEIR ASSOCIATED DEVICES ARE FORMED BY PREFIXING THE DESIGNATIONS SHOWN ON THE DWS WITH THE UNIT AND SYS DESIGNATION SHOWN IN THE HEADLINE SYMBOL, EXCEPT AS NOTED. THE LIGHTING BOARD COMPARTMENT UNIT DESIGNATION IS FORMED AS FOLLOWS USING THE COMPARTMENT NO. (XX) AND THE BOARD NO. (YY): OEL-ELB-XX-YY.
  - ALL SHUNT TRIP COIL FUSES ARE 5 A, 500V/SHAMMUT, AMP-TRAP, FORM 600, MIDGET TYPE 2. A NO. AUXILIARY CONTACT IS PROVIDED ON THE BREAKER TO DISCONNECT THE SHUNT TRIP COIL VOLTAGE WHEN THE BREAKER IS OPEN.
  - THE BOARD BUS IS 3/4" WIRE, FULL NEUTRAL.
  - LC LOADS ARE ESTIMATED FOR MAX DEMAND FOR AC FL TOTAL. DEMAND LOAD, SEE LIGHTING BOARD SCHEDULES.
  - GROUND FAULT PROTECTION (S108) IS INSTALLED FROM 200 TO 1000 AMPS. THE ADJUSTMENT IS PROVIDED FROM 6 TO 30 CYCLES. ALL BUS RELAYS ARE SET AT 800 AMPS PICK UP AND AT 6 CYCLES.
  - VERTICAL BUS RATING IS 900 A.
  - FUSES IN THE POWER CIRCUITS ARE 000L/SHAMMUT CLASS J CURRENT LIMITING FUSES ARE REQUIRED TO PROVIDE REDUNDANT SHORT CIRCUIT PROTECTION FOR PRIMARY CONTAINMENT PENETRATIONS.
  - THIS EQUIPMENT IS NON-CLASS I/E LOCATED IN A CATEGORY 1 STRUCTURE.
  - THE LIGHTING BOARD FRONT VIEW IS CONTROLLED BY THIS SINGLE LINE COMPARTMENT TYPICAL SCHEMATIC AND WIRING DIAGRAMS ARE CONTROLLED BY THE MCC COMPARTMENTED CIRCUIT SCHEDULES.



PRC APERTURE CARD

NO.	REV.	DATE	DESCRIPTION	BY	CHKD.
1	1	12-7-77	ISSUED FOR CONSTRUCTION	J. H. ...	J. H. ...
2	1	12-7-77	ALCOED FRONT VIEWS, UPDATED COMPARTMENT ASSIGNMENTS, EST MAX DEMANDS, BKR TRIP RATINGS, & OTHER MINOR CHANGES	J. H. ...	J. H. ...
3	1	1-13-78	INCORPORATED UNIT SYS. GEN REV PER GEN 91-VARIOUS ADDED LOADS AND INCREASED CAPACITIES PER GEN 133	J. H. ...	J. H. ...
4	1	1-13-78	CHANGED NOTE 6, AND OTHER MINOR CHANGES.	J. H. ...	J. H. ...
5	1	1-13-78	CHANGED LTG SYS FROM 200/277V TO 480/277V GROUNDED WYE.	J. H. ...	J. H. ...
6	1	1-13-78	REPLACED CONTROL VOLTAGE CB WITH DISCONNECT SWITCH.	J. H. ...	J. H. ...

AUXILIARY BUILDING UNITS 1&2		
SINGLE LINE 480/277V LIGHTING BOARDS 2&3 OEL-ELB-86 & 87		
BELLEFONTE NUCLEAR PLANT TENNESSEE VALLEY AUTHORITY DIVISION OF ENGINEERING DESIGN		
SUBMITTED	RECOMMENDED	APPROVED
J. H. ...	J. H. ...	J. H. ...
KNOXVILLE	2-17-78	88
DESIGN PROJECT MANAGER		
RECORD DRAWING AS CONSTRUCTED		



Doc # 50-438  
 Cont # 8304050536  
 Date 2-25-83  
 REGULATORY DOCKET FILE

INSPECTED AND APPROVED FOR ISSUE  
 R.M. ...  
 DESIGN PROJECT MANAGER

PRINTS RECORD  
 SHEET NO. 111  
 PROJ. NO. 2AW0739-EL-1