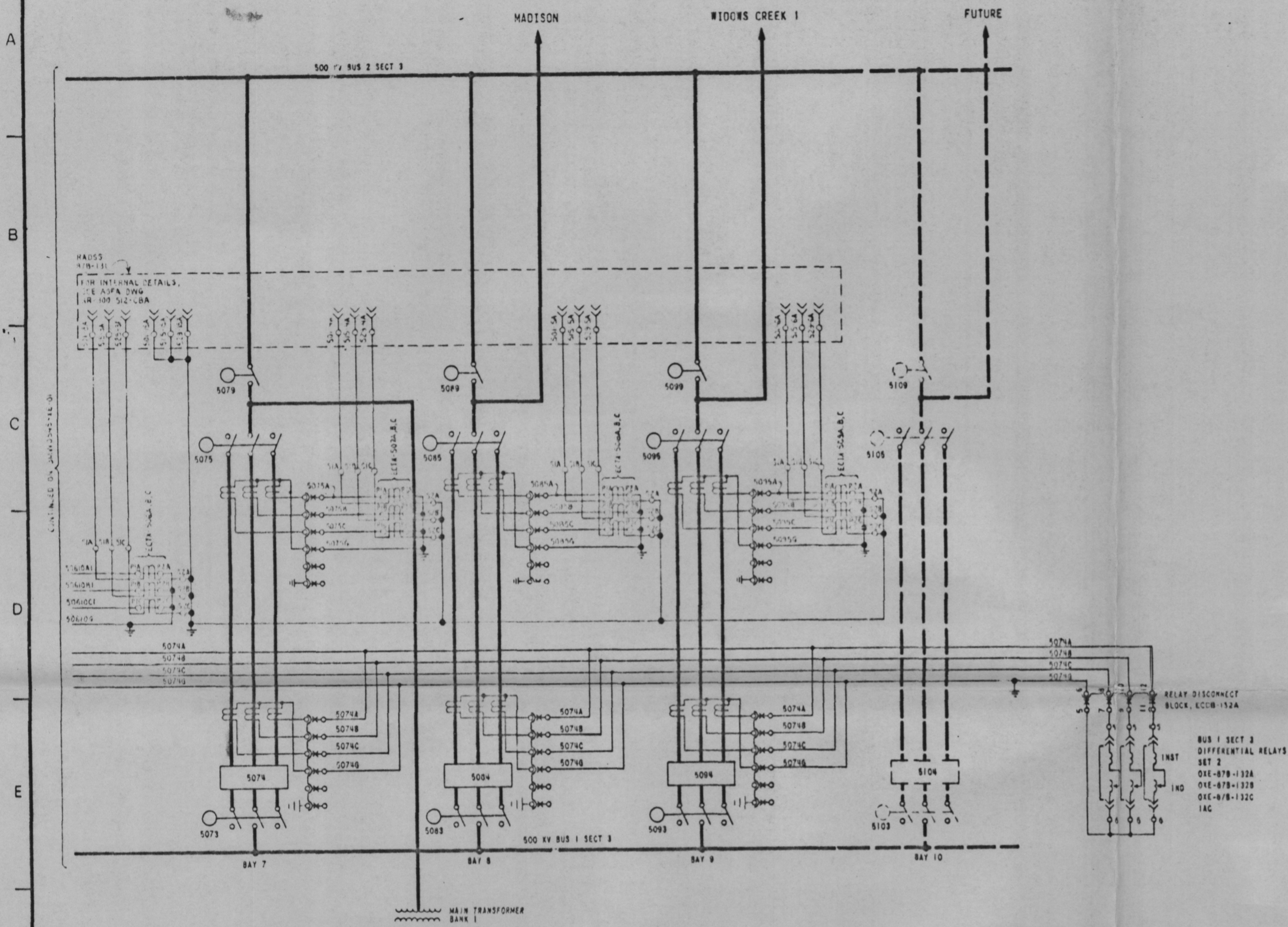
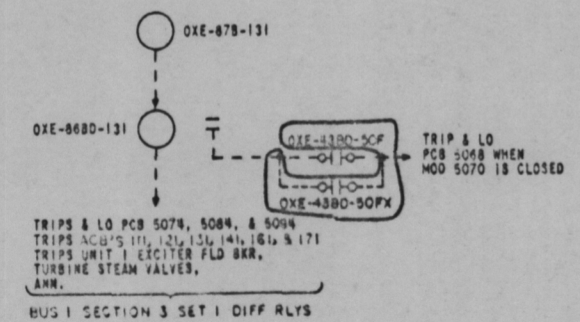


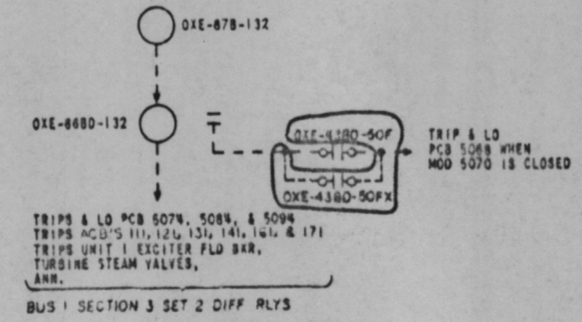
NOTES
1. FOR MANUFACTURERS DRAWINGS OF ASEA RELAY, SEE TVA CONTRACT 75K2-85654.
2. FOR GENERAL NOTES SEE 9MW0545-XE-01



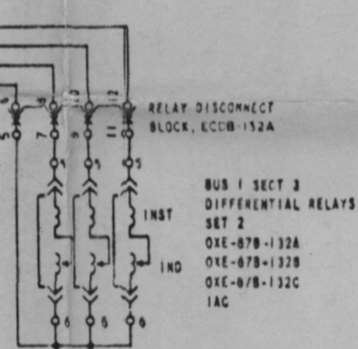
CONTINUED ON MANUFACTURERS DRAWINGS



TRIPS & LO PCB 5074, 5084, & 5094
TRIPS ACB'S 111, 121, 131, 141, 161, & 171
TRIPS UNIT 1 EXCITER FLD BRK,
TURBINE STEAM VALVES,
ANN.
BUS 1 SECTION 3 SET 1 DIFF RELYS



TRIPS & LO PCB 5074, 5084, & 5094
TRIPS ACB'S 111, 121, 131, 141, 161, & 171
TRIPS UNIT 1 EXCITER FLD BRK,
TURBINE STEAM VALVES,
ANN.
BUS 1 SECTION 3 SET 2 DIFF RELYS



PRC APERTURE CARD

Doc # 58-438
Comp # 830 4050536
Date 3-25-83 of Document
REGULATORY DOCKET FILE

REV	ECN NO	DATE	BY	CHKD	APP	APP
01						

CONTROL BUILDING
WIRING DIAGRAMS
500 KV BUS DIFFERENTIAL
AC SCHEMATIC-SHEET 2

BELLEFONTE NUCLEAR PLANT
TENNESSEE VALLEY AUTHORITY
DIVISION OF ENGINEERING DESIGN

SUBMITTED	RECOMMENDED	APPROVED
<i>[Signature]</i>	<i>[Signature]</i>	<i>[Signature]</i>

INSPECTED AND APPROVED FOR ISSUE
[Signature]

KNOXVILLE 2-27-76 88 9MW0545-X2-02 RI