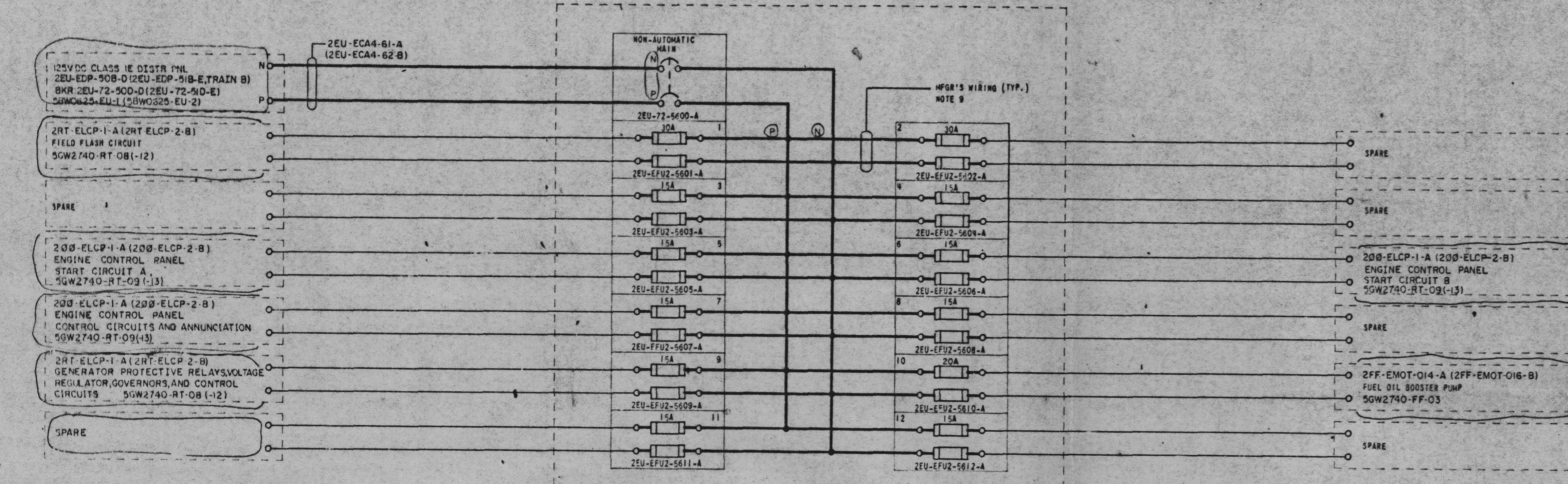


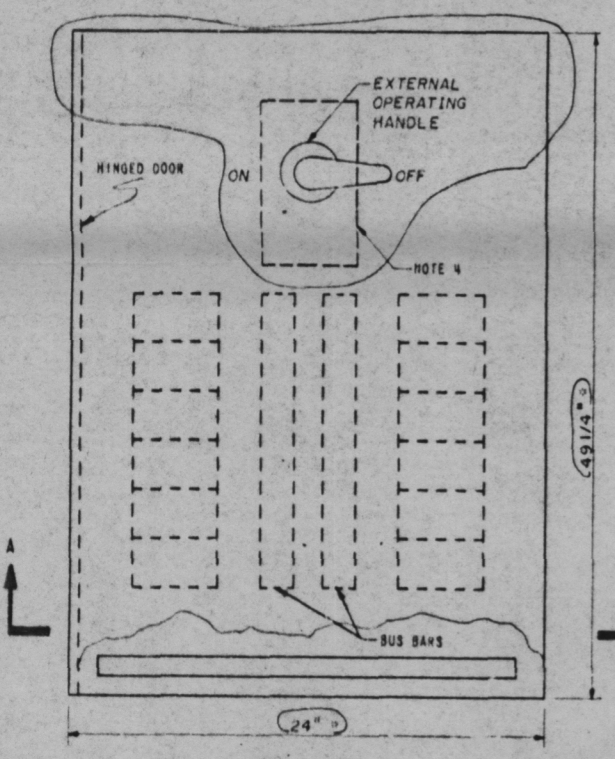
A
B
C
D
E
F
G



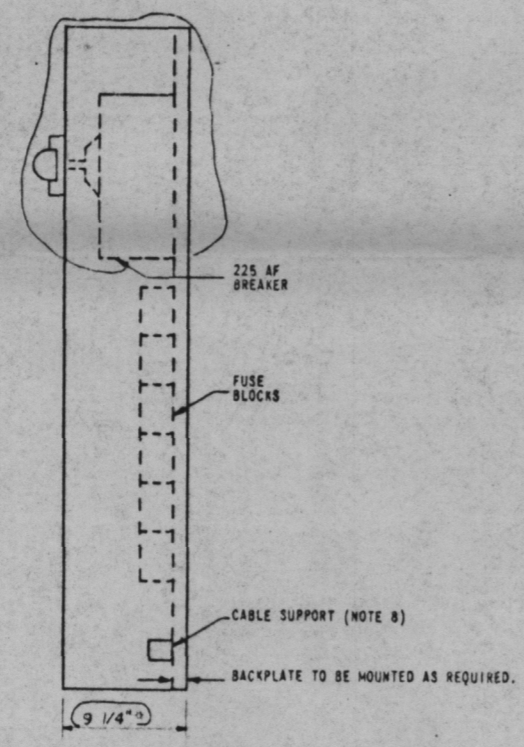
125V DC CLASS IE DIESEL GENERATOR DISTRIBUTION PANEL 2EU-EDP-56-A, 2EU-EDP-57-B
TRAIN A, COL. 06J, EL. 629 TRAIN B, COL. 07J, EL. 629

- NOTES:
- ALL DEVICES SHOWN ON THIS DRAWING ARE CLASS IE, SHOWN FOR TRAIN A. TRAIN B IS IDENTICAL EXCEPT FOR PANEL NUMBER AND "B" SEPARATION GROUP DESIGNATION.
 - PANEL IS PROVIDED ON CONTRACT NO. 77K11-R22152
 - PANEL IS DESIGNED FOR 225 AMPS CONTINUOUS AT 125V DC. BUS BAR BRACING SHALL BE DESIGNED FOR 10,000 AMPS AT 125V DC, MOMENTARY. MANUFACTURER'S BUS BAR CONFIGURATION AND PANEL DIMENSIONS, IF OTHER THAN SHOWN, MAY BE ACCEPTABLE SUBJECT TO TIA APPROVAL. PANEL SHALL BE SURFACE MOUNTABLE, WITH HINGED COVER TO MEET OR EXCEED NEMA 12 (100-1-110-21-1) REQUIREMENTS. SPACE SHALL BE PROVIDED FOR TOP AND BOTTOM CONDUIT ENTRY.
 - MOLDED-CASE CIRCUIT BREAKER, 225 AMP FRAME, TWO POLE, NON-AUTOMATIC, USED AS MAIN DISCONNECT, WITH INTEGRAL HANDLE OPERATED THROUGH THE DOOR OF THE PANEL (WESTINGHOUSE TYPE KA BREAKER)
- NON-AUTOMATIC BREAKER MUST HAVE SHORT-TIME CURRENT RATINGS AT 125V DC AS FOLLOWS:
- | | |
|---------|----------------|
| 4,000A | 1.0 SECOND |
| 3,000A | 0.166 SECONDS |
| 15,000A | 0.0166 SECONDS |
- POWER CABLE IN TWO POLE FUSE BLOCKS, FOR H.E.C. SIZE, CLASS K TYPE FUSES, RATED AT 30A, 250V DC, BUSSMAN NO. 2604, OR EQUAL.
 - FUSES SHALL HAVE INTERRUPTING CAPACITY OF 200,000 RMS SYMMETRICAL AMPS AT 250V DC BUSSMAN TYPE FRM-R CLASS RNS, OR EQUAL.
 - FIELD TO MARK FUSE TUBES AND FUSE BLOCKS WITH CORRESPONDING UNIT NUMBERS.
 - CABLE SUPPORT SHALL BE UNISTRUT TYPE P1000, OR EQUAL.
 - MANUFACTURER SHALL WIRE BUS BARS TO FUSES, WIRING SHALL BE STRANDED NO. 6 AWG CONDUCTOR, WITH SELF-EXTINGUISHING INSULATION PER UL-FBI VERTICAL FLAME TEST, RATED 600V AND 40°C, TYPE EP-HYPRALON.

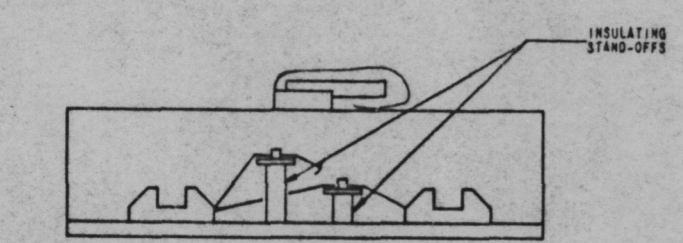
REFERENCE DRAWINGS:
5GW025-EU-1, 2 - - - - - SINGLE LINES



FRONT VIEW
125V DC CLASS IE DG DISTR PNL
2EU-EDP-56-A 2EU-EDP-57-B
SCALE: NONE
DIMENSIONS ARE APPROXIMATE



SIDE VIEW
125V DC CLASS IE DG DISTR PNL
2EU-EDP-56-A 2EU-EDP-57-B
SCALE: NONE



SECTION A-A
125V DC CLASS IE DG DISTR PNL
2EU-EDP-56-A 2EU-EDP-57-B
SCALE: NONE

PRINTS RECORD

NO.	DATE	BY	REASON
1			
2			
3			
4			
5			
6			
7			
8			
9			
10			
11			
12			

PRC
APERTURE
CARD

COMPANION DWGS:
5GW1640-EU-03
SCALE AS SHOWN
Docket # 50-438
Control # 830 4050536
Date 3-25-83
REGULATORY DOCKET FILE

REVIEWED	N/A
RC(CIVIL)	N/A
RE(ELEC)	N/A
RM(MECH)	N/A
INSPECTED AND APPROVED FOR ISSUE	

1	SI	11-2-76	125V DC CLASS IE DG DISTR PNL	2EU-EDP-56-A	2EU-EDP-57-B
REVISED LOADS, ADDED CONTACT NUMBER INCREASED PNL CAP ADDED "Q"					
DESIGN	DRWN	CHKD	ENGR	INSPE	APPR
5GW1640-EU-03					
DIESEL GENERATOR BLOC, UNIT 2					
SCHEMATIC DIAGRAM					
125V CLASS IE DC POWER DISTRIBUTION SYSTEM					
BELLEFONTE NUCLEAR PLANT					
TENNESSEE VALLEY AUTHORITY					
DIVISION OF ENGINEERING DESIGN					
SUBMITTED	RECOMMENDED	APPROVED			
KNOXVILLE 12-2-76		88 E 5GW2640-EU-03		Q	